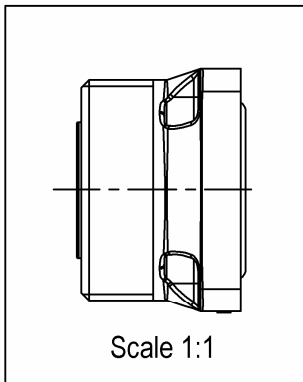
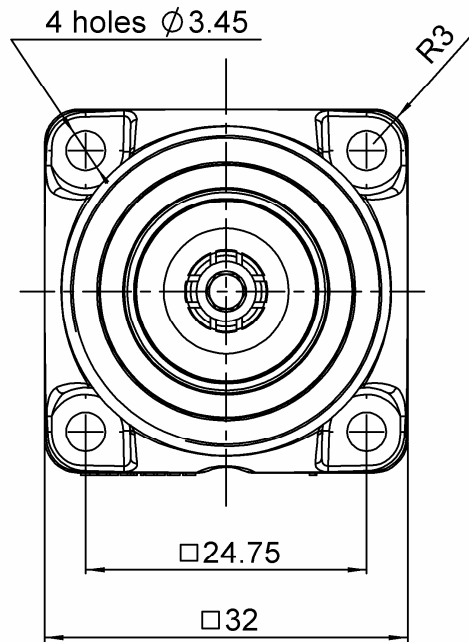
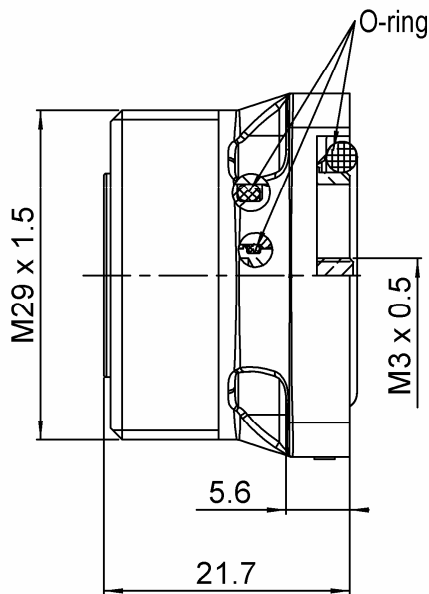


**COMPOSITE SQUARE FLANGE JACK RECEPTACLE-
PANEL SEAL**

R187.406.100

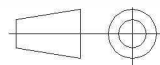
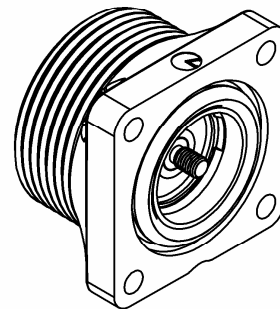
Series : 7/16
COMPOSITE

WATERPROOF INTERFACE-FRONT MOUNT M3 SCREW



PANEL CUT OUT

	mm	
	Maxi	mini
A	16.2	16
B	3.7	3.6
C	24.8	24.7



All dimensions are in mm.

COMPONENTS	MATERIALS	PLATING (µm)
BODY	COMPOSITE MATERIAL - BLACK	-
CENTER CONTACT	BRONZE	SILVER 5 OVER COPPER 0.5
OUTER CONTACT	BRASS	BBR 0.5 OVER SILVER 3
INSULATOR	PTFE	-
GASKET	SILICONE RUBBER	-
OTHERS PARTS	-	-
-	-	-
-	-	-

Issue : 0935 C

In the effort to improve our products, we reserve the right to make changes judged to be necessary.



**COMPOSITE SQUARE FLANGE JACK RECEPTACLE-
PANEL SEAL**

R187.406.100

WATERPROOF INTERFACE-FRONT MOUNT M3 SCREW

Series : 7/16
COMPOSITE

PACKAGING

SPECIFICATION

Standard	Unit	Other
60	'W' option	Contact us

ELECTRICAL CHARACTERISTICS

ENVIRONMENTAL

Impedance	50	Ω
Frequency	0-7.5	GHz
VSWR	*1.06 + 0.0000	x F(GHz) Maxi
Insertion loss	0.05	$\sqrt{F}(\text{GHz})$ dB Maxi
RF leakage	- (NA)	- F(GHz)) dB Maxi
Voltage rating	1400	Veff Maxi
Dielectric withstanding voltage	2700	Veff mini
Insulation resistance	10000	M Ω mini

Operating temperature	-40/+85	$^{\circ}$ C
Hermetic seal		Atm.cm3/s
Panel leakage	IP67	

OTHER CHARACTERISTICS

Assembly instruction

Others :

*VSWR : 1.06 between DC to 3GHz

*VSWR : 1.10 between 3 to 7.5GHz

PIM3: -125dBm under 2 carriers of +43dBm

MECHANICAL CHARACTERISTICS

Center contact retention		
Axial force – Mating end	200	N mini
Axial force – Opposite end	100	N mini
Torque	50	N.cm mini
Recommended torque		
Mating		N.cm
Panel nut		N.cm
Mating life	500	Cycles mini
Weight	14.6200	g

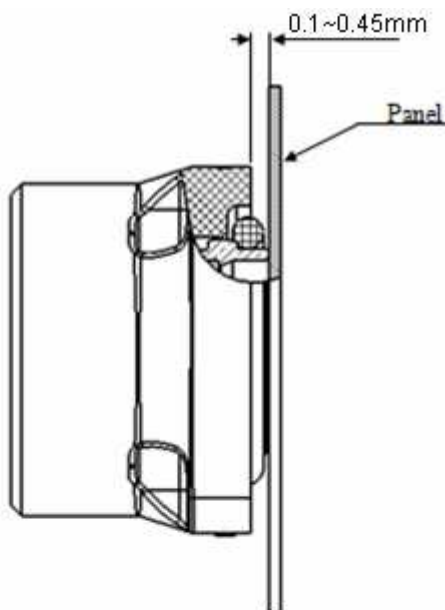
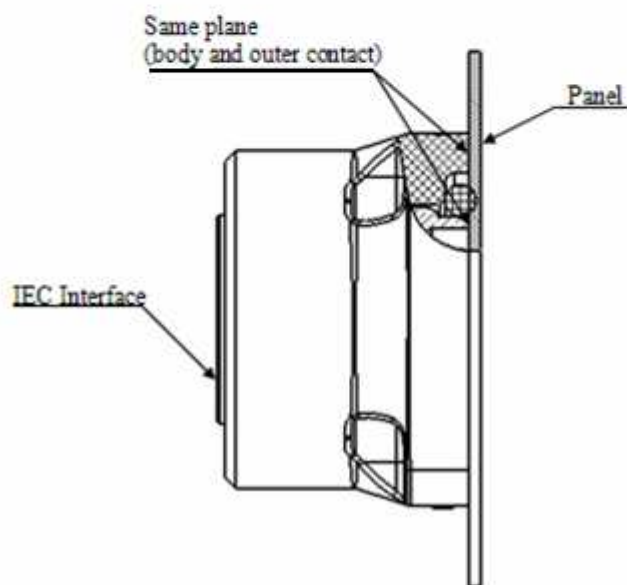
Issue : 0935 C

In the effort to improve our products, we reserve the right to make changes judged to be necessary.



**COMPOSITE SQUARE FLANGE JACK RECEPTACLE-
PANEL SEAL****R187.406.100****WATERPROOF INTERFACE-FRONT MOUNT M3 SCREW**Series : 7/16
COMPOSITE**Assembly instruction**

Prior to the installation, the outer contact is slightly protruded from the rear flange (0.1~0.45mm). During the installation, the outer contact is pushed inside the composite housing. In its final position, the outer contact is aligned with the rear flange, and in contact with the panel. During mating, the outer contact is pressed against the panel, reducing significantly the IM3 generation.

**Before assembly****After assembly****Issue : 0935 C**

In the effort to improve our products, we reserve the right to make changes judged to be necessary.

RADIALL 

Mouser Electronics

Authorized Distributor

Click to View Pricing, Inventory, Delivery & Lifecycle Information:

Radial:

[R187406100](#) [R187406100W](#)