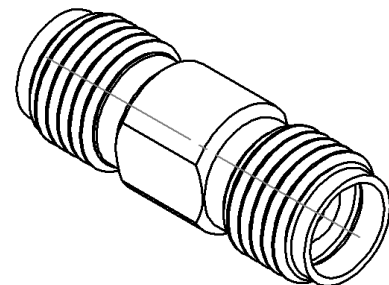
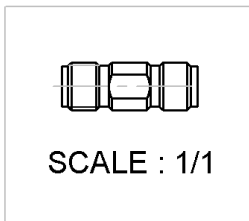
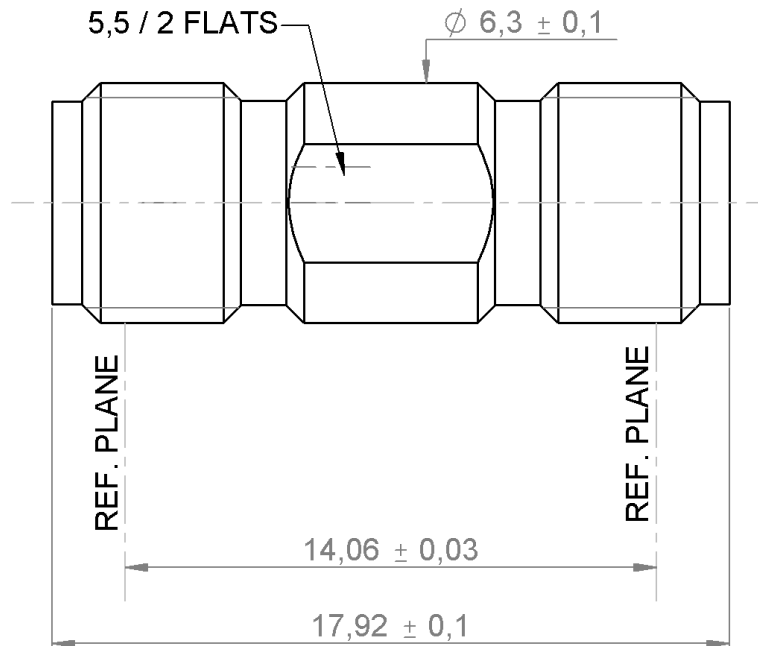
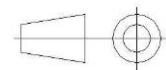


PAGE 1/2	ISSUE 2033A	SERIES SMA2.9	PART NUMBER R127870001X
----------	-------------	---------------	-------------------------



All dimensions are in mm.



COMPONENTS	MATERIALS	PLATING (µm)
Body	STAINLESS STEEL	PASSIVATED.
Center contact	BERYLLIUM COPPER	GOLD 1.3 OVER NICKEL2
Outer contact	BRASS	GOLD 1.3 OVER NICKEL2
Insulator	ULTEM1000	
Gasket	-	-
Others parts	-	-
-	-	-
-	-	-

PAGE 2/2	ISSUE 2033A	SERIES SMA2.9	PART NUMBER R127870001X
----------	--------------------	----------------------	--------------------------------

PACKAGING

Standard	Unit	Other
1	-	Contact us

ELECTRICAL CHARACTERISTICS

Impedance		50	Ω	
Frequency		0-40	GHz	
VSWR	1.05	+	0,0030	x F(GHz) Maxi
Insertion loss			0.02+0.03	√F(GHz) dB Maxi
RF leakage	-	(90	- F(GHz)) dB Maxi
Voltage rating			350	Vrms Maxi
Dielectric withstanding voltage			750	Vrms mini
Insulation resistance			5000	MΩ mini

ENVIRONMENTAL

Operating temperature	-65/+165	°C
Hermetic seal	NA	Atm.cm3/s
Panel leakage	NA	

MECHANICAL CHARACTERISTICS

Center contact retention				
Axial force – Mating End		27	N mini	
Axial force – Opposite end		27	N mini	
Torque		NA	N.cm mini	
Recommended torque				
Mating		80-115	N.cm	
Panel nut		NA	N.cm	
Mating life		500	Cycles Maxi	
Weight		3,1000	g Maxi	

SPECIFICATION

RAD-GEN-CONN 001
RAD-DET-CONN 007

OTHER CHARACTERISTICS

Assembly instruction:

Others:

Mouser Electronics

Authorized Distributor

Click to View Pricing, Inventory, Delivery & Lifecycle Information:

[Radial:](#)

[R127870001X](#)