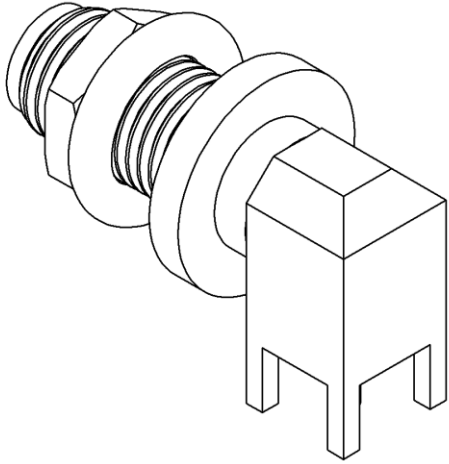
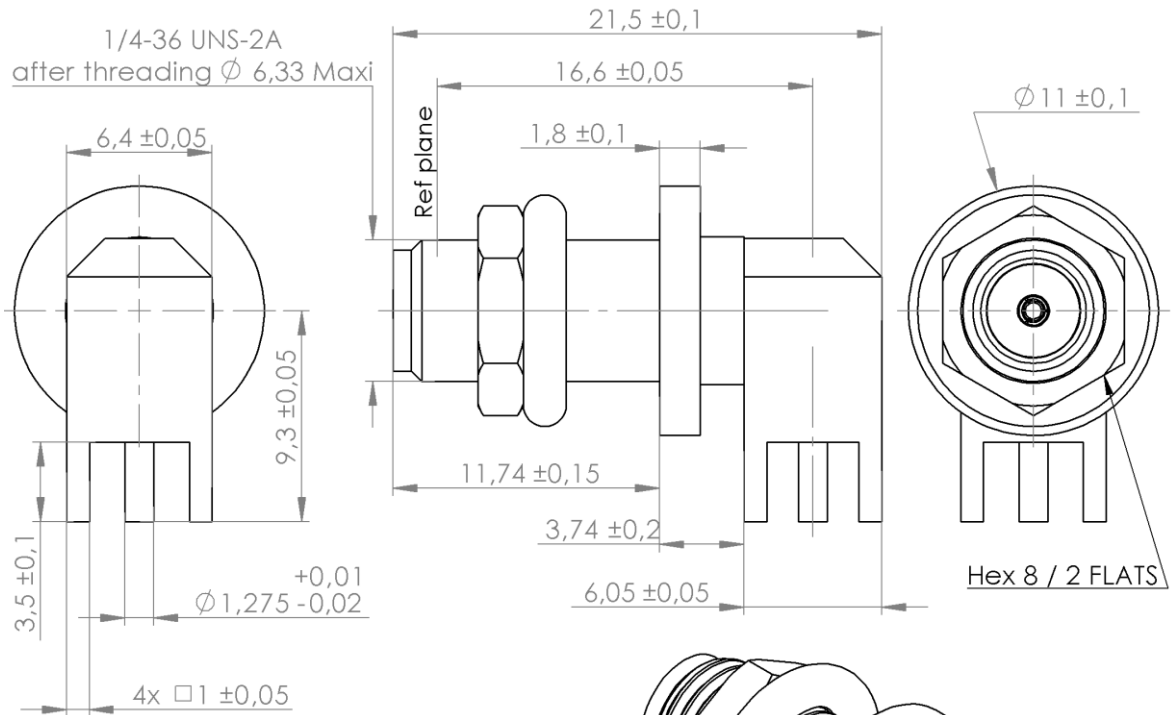
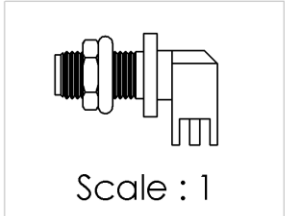
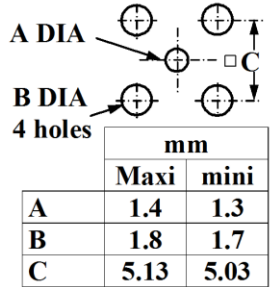


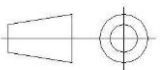
PAGE 1/2	ISSUE 2032A	SERIES SMA-S	PART NUMBER R126680034
----------	-------------	--------------	------------------------



PCB CUT OUT



All dimensions are in mm.



COMPONENTS	MATERIALS	PLATING (µm)
Body	BERYLLIUM COPPER	GOLD 2.54 OVER NICKEL 1.27
Center contact	BERYLLIUM COPPER	GOLD 2.54 OVER NICKEL 1.27
Outer contact		
Insulator	PTFE	
Gasket	SILICONE	
Others parts	STAINLESS STEEL	GOLD 0.5 OVER NICKEL 2
-	-	-
-	-	-

PAGE 2/2	ISSUE 2032A	SERIES SMA-S	PART NUMBER R126680034
----------	--------------------	---------------------	-------------------------------

PACKAGING

Standard	Unit	Other
1	-	Contact us

ELECTRICAL CHARACTERISTICS

Impedance		50	Ω	
Frequency		DC-2	GHz	
VSWR	1.15	+	0,0000	x F(GHz) Maxi
Insertion loss			0.02+0.1	√F(GHz) dB Maxi
RF leakage	-	(90	- F(GHz)) dB Maxi
Voltage rating			335	Vrms Maxi
Dielectric withstanding voltage			1000	Vrms mini
Insulation resistance			5000	MΩ mini

ENVIRONMENTAL

Operating temperature	-65/+125	°C
Hermetic seal	NA	Atm.cm3/s
Panel leakage	NA	

MECHANICAL CHARACTERISTICS

Center contact retention				
Axial force – Mating End		27	N mini	
Axial force – Opposite end		NA	N mini	
Torque		NA	N.cm mini	
Recommended torque				
Mating		80-120	N.cm	
Panel nut		150	N.cm	
Mating life		500	Cycles Maxi	
Weight		6,4800	g Maxi	

SPECIFICATION

According to ESCC 3402
According to ESCC 3402 002

OTHER CHARACTERISTICS

Assembly instruction:

Others:

Mouser Electronics

Authorized Distributor

Click to View Pricing, Inventory, Delivery & Lifecycle Information:

[Radial:](#)

[R126680034](#)