

FLANGE RECEPTACLE - MIC PACKAGE  
9.5 mm SQUARE

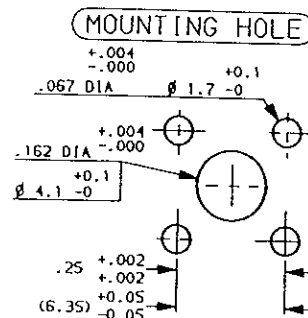
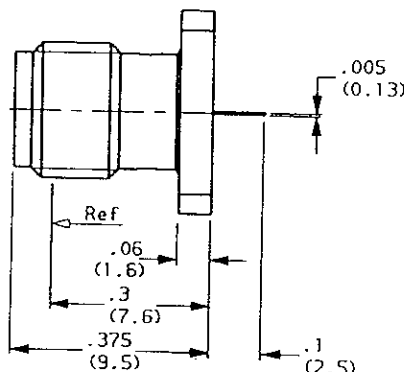
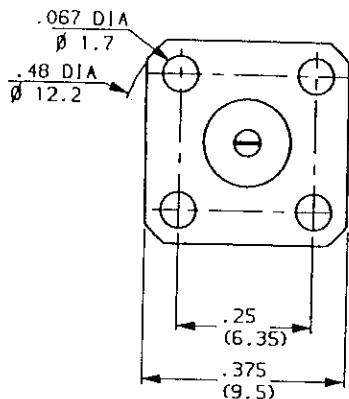
Issue : 9526

Page

SERIES:

SMA

01/01



CHARACTERISTICS

|                                 |                    |                            |
|---------------------------------|--------------------|----------------------------|
| NOMINAL IMPEDANCE               | 50                 | Ω                          |
| FREQUENCY RANGE                 | 0 - 18             | GHz                        |
| TEMPERATURE RATING              | -65 / +165         | °C                         |
| VSWR                            | 1.05 +0.005F (GHz) | Max                        |
| RF INSERTION LOSS               | -                  | dB Max                     |
| VOLTAGE RATING                  | 600                | Vrms                       |
| DIELECTRIC WITHSTANDING VOLTAGE | 1000               | Vrms                       |
| INSULATION RESISTANCE           | 5000               | MΩ                         |
| HERMETIC SEAL                   | -                  | cc/s<br>cm <sup>3</sup> /s |
| LEAKAGE (pressurized only)      | 0                  | psi<br>kg/cm <sup>2</sup>  |

|                            |                             |
|----------------------------|-----------------------------|
| STANDARDISATION            | -                           |
| CABLE RETENTION            | 0 Lb Max<br>- N Max         |
| CENTER CONTACT RETENTION   | -                           |
| Axial force - mating end   | 6.075 Lb Max<br>27 N Max    |
| Axial force - opposite end | 6.075 Lb Max<br>27 N Max    |
| Torque (Max)               | 3.96928 inch.oz<br>2.8 cm.N |
| MATING TORQUE RECOMMENDED  | 0 inch. Lb<br>- cm. N       |

CONSTRUCTION

| CONNECTOR PARTS | MATERIALS        | FINISH                   |
|-----------------|------------------|--------------------------|
| Body            | Stainless steel  | Passivated               |
| Outer contact   | -                | -                        |
| Center contact  | Beryllium copper | Gold 1.3 μm over Ni 2 μm |
| Insulators      | PTFE             | -                        |
| -               | -                | -                        |
| -               | -                | -                        |
| -               | -                | -                        |
| -               | -                | -                        |
| -               | -                | -                        |
| -               | -                | -                        |
| -               | -                | -                        |

| ISSUE | REVISION No | DESCRIPTION | BY | DATE |
|-------|-------------|-------------|----|------|
|       |             |             |    |      |
|       |             |             |    |      |
|       |             |             |    |      |
|       |             |             |    |      |

Initiated on 12-09-89  
Superseded on

The information given here is subject to change without notice. Design changes may be in order to improve the product.



# Mouser Electronics

Authorized Distributor

Click to View Pricing, Inventory, Delivery & Lifecycle Information:

[Radial:](#)

[R125510501](#)