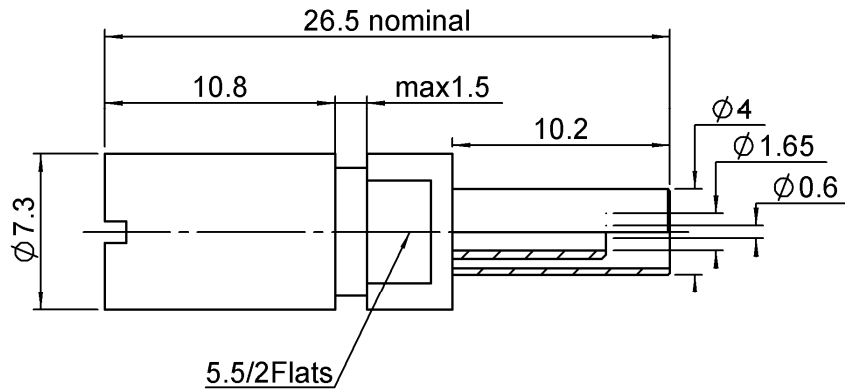


**STRAIGHT PLUG(SLIDE ON)**

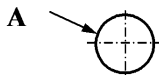
**R120A.074.215**

**FOR CABLE 2.6/50+75**

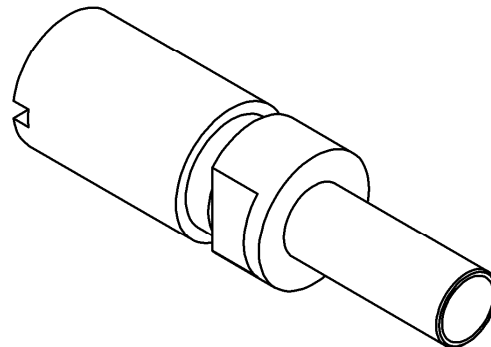
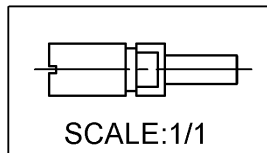
Series : ECO DIN1.0/2.3



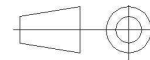
**PANEL CUT OUT**



mm		
	Maxi	mini
A	5.8	5.73



All dimensions are in mm.



COMPONENTS	MATERIALS	PLATING (µm)
BODY	BRASS	NICKEL
CENTER CONTACT	BRASS	GOLD
OUTER CONTACT		
INSULATOR	PTFE	
GASKET		
OTHERS PARTS	BRASS	NICKEL
-	-	-
-	-	-

Issue : 0908 A

In the effort to improve our products, we reserve the right to make changes judged to be necessary.



**STRAIGHT PLUG(SLIDE ON)**

**R120A.074.215**

**FOR CABLE 2.6/50+75**

Series : **ECO DIN1.0/2.3**

**PACKAGING**

Standard	Unit	Other
<b>100</b>	<b>'W' option</b>	<b>Contact us</b>

**SPECIFICATION**

**ELECTRICAL CHARACTERISTICS**

Impedance	<b>50(75)</b>	$\Omega$
Frequency	<b>0-4(1)</b>	GHz
VSWR	<b>1.35* + 0.000</b>	x F(GHz) Maxi
Insertion loss	<b>NA</b>	$\sqrt{F}$ (GHz) dB Maxi
RF leakage	<b>- (NA)</b>	- F(GHz)) dB Maxi
Voltage rating	<b>350</b>	Veff Maxi
Dielectric withstanding voltage	<b>750</b>	Veff mini
Insulation resistance	<b>5000</b>	M $\Omega$ mini

**CABLE ASSEMBLY**

Stripping	a	b	c	d	e	f
mm	2.50	5.40	10.0	0.00	7.50	0.00

Assembly instruction : **Crimp 01**

Recommended cable(s)

RG 174  
 RG 174 FTX  
 RG 188  
 RG 316  
 KX 22A  
 RG 179  
 RG 187

Characteristics indicated on this data sheet are those that can be achieved with the highest performance cable. Intrinsic limitations of the cable may diminish the performance of the assembly

Cable retention

- pull off **NA** N mini  
 - torque **NA** N.cm

**MECHANICAL CHARACTERISTICS**

Center contact retention		
Axial force – Mating end	<b>NA</b>	N mini
Axial force – Opposite end	<b>NA</b>	N mini
Torque	<b>NA</b>	N.cm mini

Recommended torque		
Mating	<b>NA</b>	N.cm
Panel nut	<b>NA</b>	N.cm
Clamp nut	<b>NA</b>	N.cm
A/F clamp nut	<b>0.000</b>	mm

Mating life	<b>100</b>	Cycles mini
Weight	<b>0.691</b>	g

**TOOLING**

Part Number	Description	Hexagon
.	.	.
R282.211.000	CRIMPING TOOL	3.25

**OTHER CHARACTERISTICS**

\*75 $\Omega$ (0-1GHz)

**ENVIRONMENTAL**

Operating temperature	<b>-40/+85</b>	$^{\circ}$ C
Hermetic seal	<b>NA</b>	Atm.cm3/s
Panel leakage	<b>NA</b>	

Issue : **0908** A

In the effort to improve our products, we reserve the right to make changes judged to be necessary.



# Mouser Electronics

Authorized Distributor

Click to View Pricing, Inventory, Delivery & Lifecycle Information:

[Radial:](#)

[R120A074215](#)