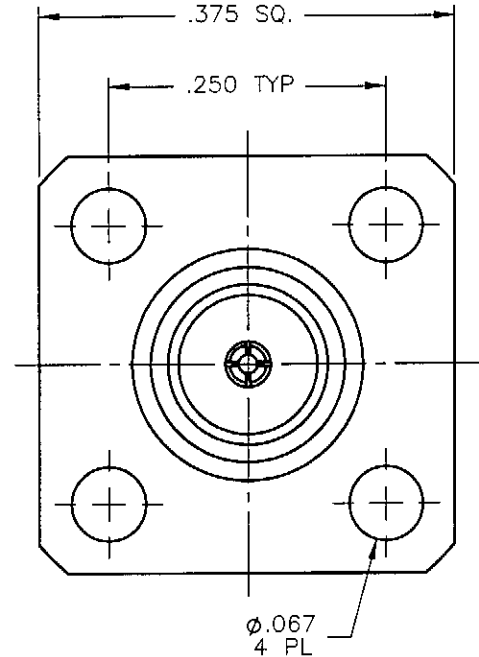
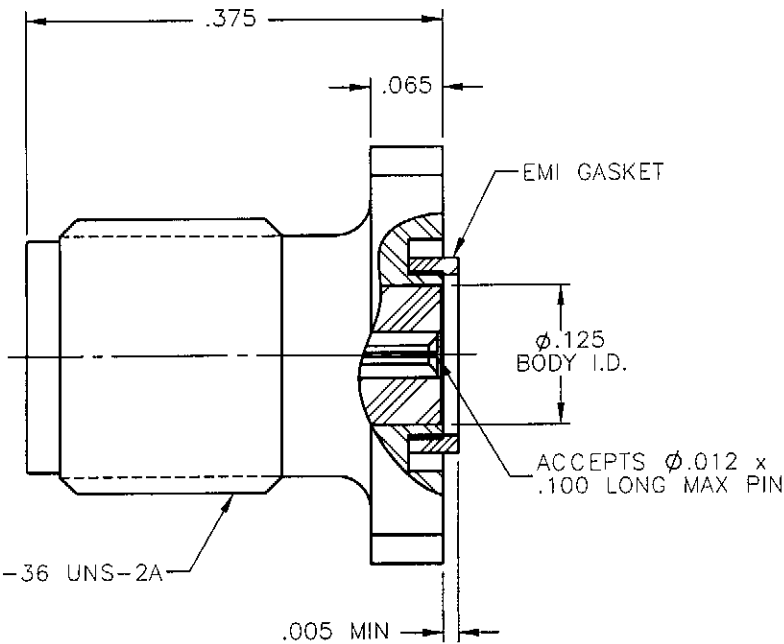
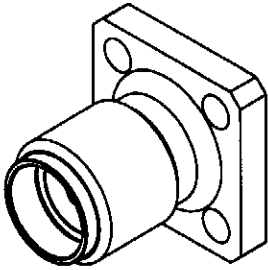


REVISIONS

REV.	DESCRIPTION	DATE	APPROVED
A	INITIAL RELEASE	05/18/10	D.N.



NOTES:

MATERIALS:

1. BODY = STAINLESS STEEL PER ASTM A582, ALLOY 303, CONDITION "A".
2. INSULATOR = VIRGIN WHITE TEFLON PER ASTM D1710, GRADE 1, TYPE I, CLASS "B".
3. CONTACT = BERYLLIUM COPPER PER ASTM B196, ALLOY C17300, TEMPER TD04.
4. GASKET = CONDUCTIVE SILVER/SILICONE ELASTOMERS 70 DUROMETER.

FINISHES:

1. BODY = PASSIVATE PER QQ-P-35, TYPE VI.
2. CONTACT = GOLD PLATE PER MIL-G-45204, TYPE II, CLASS 1, GRADE C, OVER .00010 TO .00020 STRESS FREE SULFAMATE NICKEL PER QQ-N-290.

UNLESS OTHERWISE SPECIFIED
DIMENSIONS ARE IN INCHES
TOLERANCES ON

DECIMAL	ANGLE

DWN:	DATE
D.N.	05/18/10
CHKD:	DATE
A.D.M.	05/18/10
APVD:	DATE
J.M.	05/18/10



Property of Radiall
This document cannot be reproduced or
communicated to a third party without prior
written permission of RADIALL.

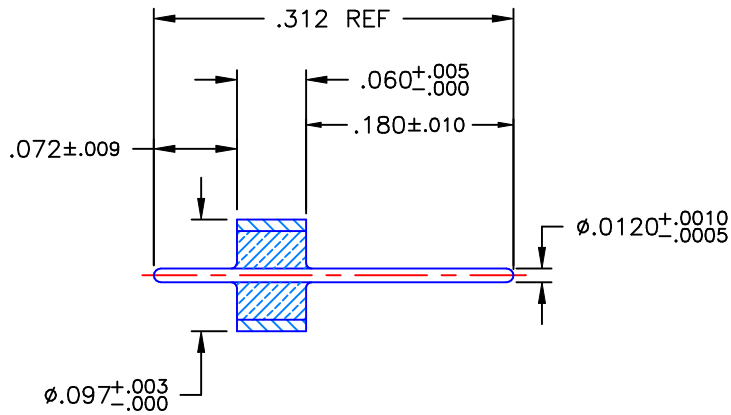
SMA STRAIGHT JACK
3/8 SQUARE (4) HOLE FLANGE
HERMETIC SEAL LAUNCHER

REFERENCE:
ORIGINATED: D.N.
DATE: 05/18/10

MATERIALS & FINISHES:
SEE NOTES

SIZE A	FSCM NO. 19505	DWG NO. 9279-9513-000	REV A
SCALE 6:1		THIRD ANGLE PROJECTION	SHEET 1 OF 2

9279-9513-000



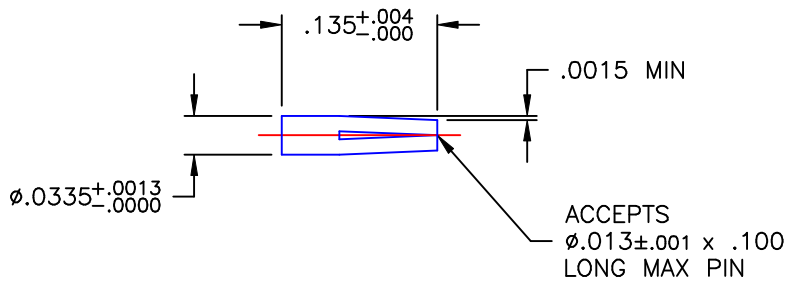
NOTES:

1. MATERIALS:

OUTER RING AND PIN = KOVAR
 GLASS BEAD = CORNING 7052

2. FINISH:

OUTER RING AND PIN = GOLD PLATE PER MIL-45204, TYPE II, GRADE C, CLASS I,
 OVER NICKEL PER MIL-C-26074, CLASS I, OVER COPPER PER MIL-C-14550.



MATERIAL: BERYLLIUM COPPER PER ASTM B196, ALLOY C17300, TEMPER TD04.

FINISH: GOLD PLATE PER MIL-G-45204, TYPE II, CLASS 1, GRADE C, OVER
 $.00010$ TO $.00020$ STRESS FREE SULFAMATE NICKEL PER QQ-N-290.

UNLESS OTHERWISE SPECIFIED
 DIMENSIONS ARE IN INCHES
 TOLERANCES ON

REFERENCE:



Property of Radiall

This document cannot be reproduced or
 communicated to a third party without prior
 written permission of RADIALL.

DECIMAL	ANGLE

--	--

SIZE A	FSCM NO. 19505	DWG NO. 9279-9513-000	REV A
SCALE 6:1		THIRD ANGLE PROJECTION	SHEET 2 OF 2

9279-9513-000

Mouser Electronics

Authorized Distributor

Click to View Pricing, Inventory, Delivery & Lifecycle Information:

Radial:

[9279-9513-000](#)