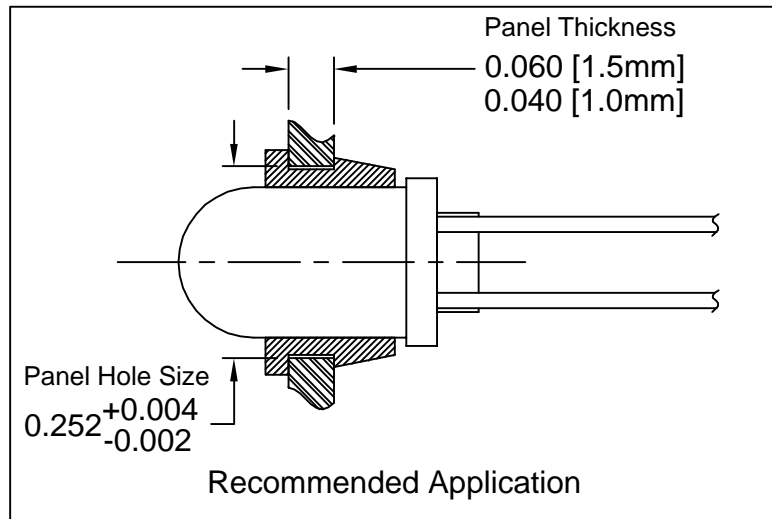
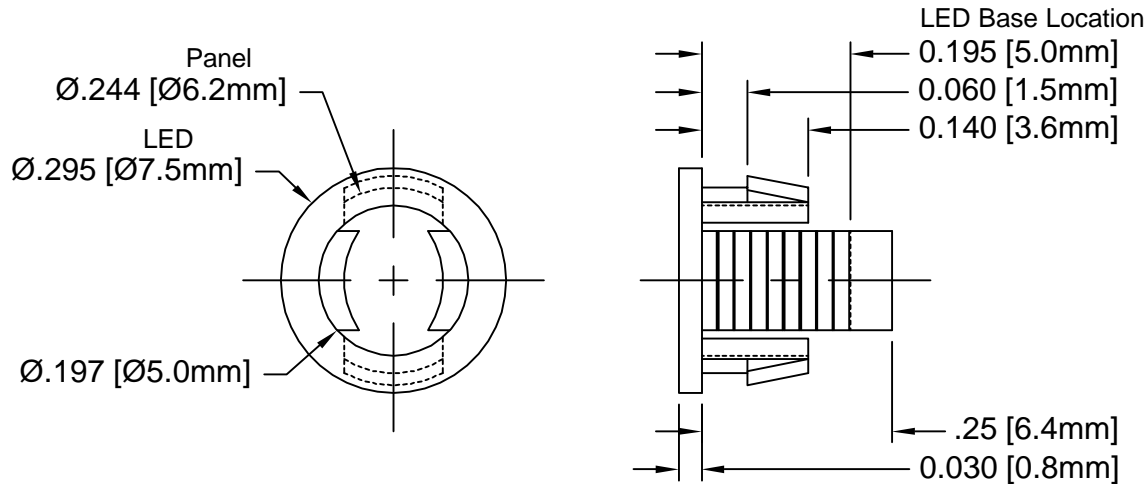




REV.	DESCRIPTION	DATE	APPROVED
C	Engineering Update w/o Changes	02/24/04	M. C.



2. MATERIAL: NYLON, 94V-0, BLACK. BIVAR MATERIAL CODE 22-BK.  
RTP POLYAMIDE NYLON 6/6, 0200 FR, BLACK OR MODIFIED PLASTICS MN6/6-SE BK.
1. GENERAL SPECIFICATIONS: BIVAR MOLDED COMPONENT SPECIFICATION BV00-E101.

STANDARD TOLERANCE (UNLESS OTHERWISE SPECIFIED)		 <b>BIVAR</b> <sup>®</sup> 4 THOMAS, IRVINE, CA. 92618 TEL: (949) 951-8808 FAX: (949) 951-3974	
DECIMALS	ANGULAR		
.X ± .1	X° ± 1°	 <b>TITLE:</b> T-1¼ (5mm) LED SELF-RETAINING CLIP	
.XX ± .01			
.XXX ± .005			
DESIGNED: <b>Shane Irving</b>	DATE: <b>09/17/98</b>	<b>PART NO:</b> C-105-SR	REVISION: <b>C</b>
CHECKED: <b>M. Chen</b>	DATE: <b>08/29/02</b>	<b>CAGE CODE :</b> 32559	<b>SHEET #</b> 1 OF 1
CAD GENERATED DOCUMENT. DO NOT MEASURE DRAWING.			

# Mouser Electronics

Authorized Distributor

Click to View Pricing, Inventory, Delivery & Lifecycle Information:

[BIVAR:](#)

[C-105-SR](#)