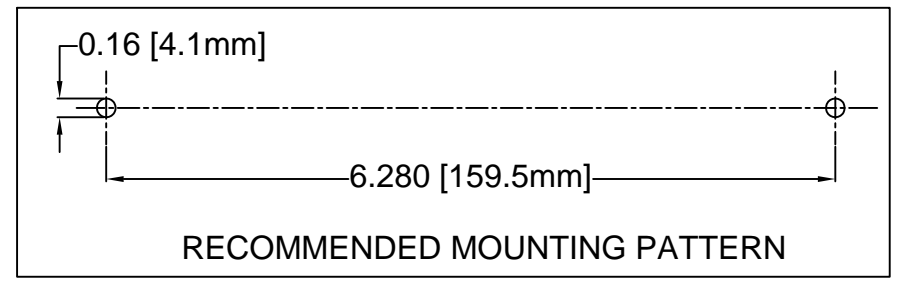
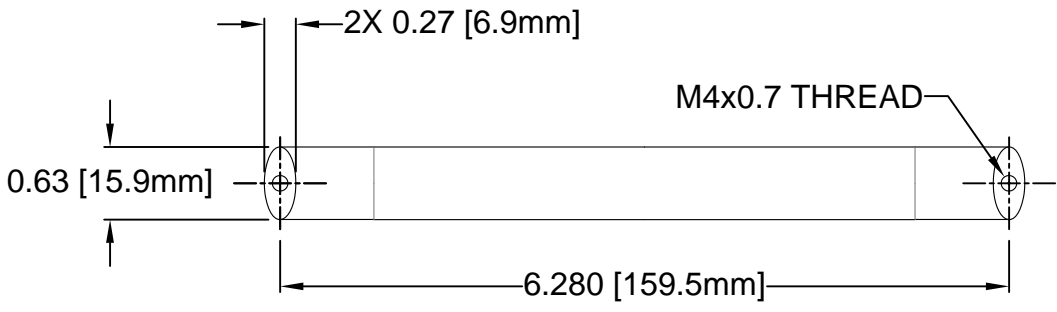
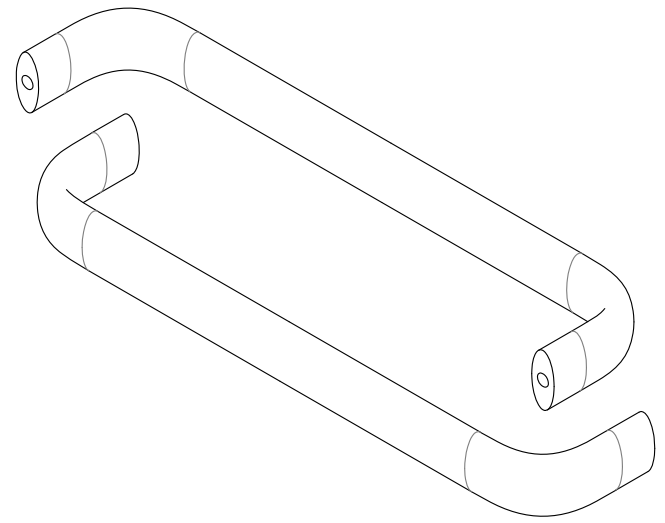
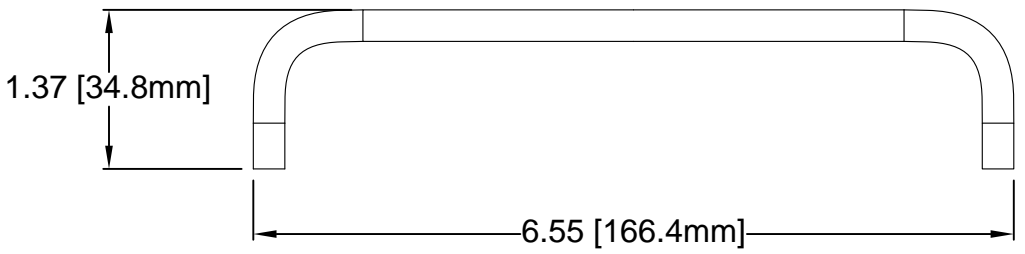
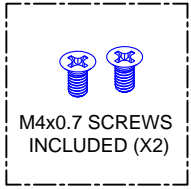


REV.	DESCRIPTION	DATE	APPROVED
A	Engineering Release	07/17/14	J. C.
B	Corrected Part Number Typo	06/11/15	J. C.
C	Engineering Update w/o Changes	05/21/16	J. C.



NOTES
 2. MOUNTING HARDWARE SHIPPED UNASSEMBLED
 1. MATERIAL: ALUMINUM

STANDARD TOLERANCE (UNLESS OTHERWISE SPECIFIED)		 4 THOMAS, IRVINE, CA. 92618 TEL: (949) 951-8808 FAX: (949) 951-3974	
DECIMALS	ANGULAR		
.X ± .1 .XX ± .02 .XXX ± .010	X° ± 1°		
DESIGNED: A. Wright	DATE: 07/17/14	 TITLE: 4U SUBRACK HANDLE, OVAL	REVISION: C
CHECKED: B. Oliver	DATE: 07/17/14		PART NO: SRH-4RUO CAGE CODE : 32559
CAD GENERATED DOCUMENT. DO NOT MEASURE DRAWING.			

Mouser Electronics

Authorized Distributor

Click to View Pricing, Inventory, Delivery & Lifecycle Information:

[BIVAR:](#)

[SRH-4RUO](#)