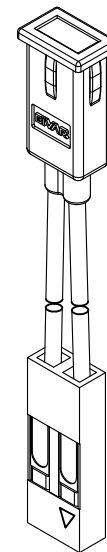
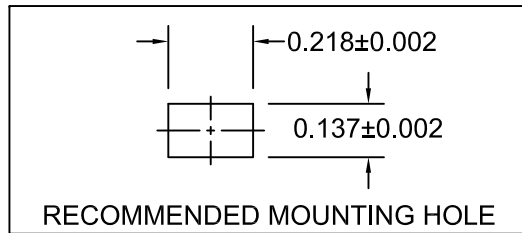
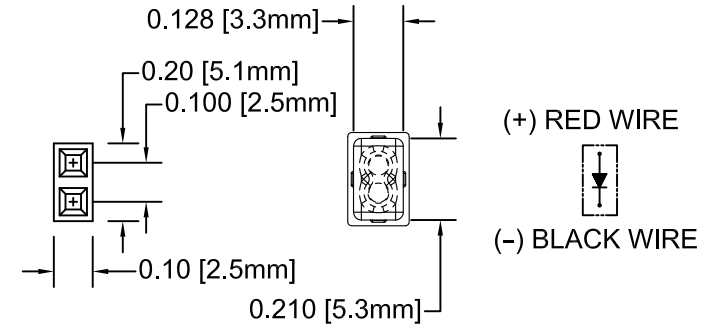
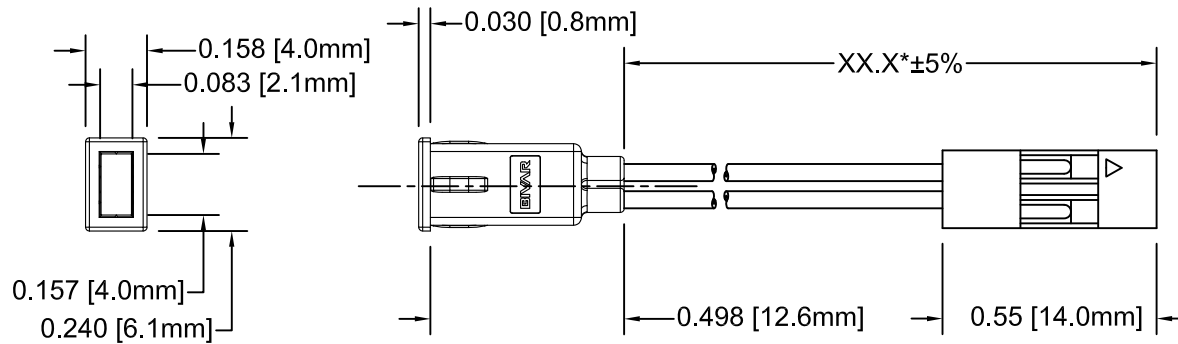


REV.	DESCRIPTION	DATE	APPROVED
A	Engineering Release	07/13/09	T. Y.
B	Engineering Update w/o Changes	08/14/16	J. C.
C	Updated per EOL Notice	06/24/20	A. V.



## ABSOLUTE MAXIMUM RATINGS (Ta = 25°C)

REVERSE VOLTAGE	_____	5V
REVERSE CURRENT ( VR=5V)	_____	100µA
OPERATING TEMPERATURE RANGE	_____	-25°C ~ 85°C
STORAGE TEMPERATURE	_____	-30°C ~ 100°C
LEAD SOLDERING TEMPERATURE (1/16" FROM BODY)	_____	260°C for 5 Seconds

## CUSTOMER USE DRAWING

STANDARD TOLERANCE (UNLESS OTHERWISE SPECIFIED)		BIVAR®	
DECIMALS	ANGULAR	4 THOMAS, IRVINE, CA. 92618 TEL: (949) 951-8808 FAX: (949) 951-3974	
.X ± .1	X° ± 1°	TITLE: 2 X 4mm RECTANGULAR LED PANEL MOUNT ASSEMBLY	
.XX ± .02			
.XXX ± .010			
DESIGNED: <b>R. Paje</b>	DATE: <b>07/13/09</b>	PART NO: <b>PMR4XXXWXX.X-CC</b>	REVISION: <b>C</b>
REVISED: <b>V. Chavez</b>	DATE: <b>06/24/20</b>	SHEET SIZE <b>A</b>	CAGE CODE: <b>32559</b>
CHECKED: <b>A. Valdez</b>	DATE: <b>06/24/20</b>	SCALE: <b>N/A</b>	SHEET # 1 OF 2

CAD GENERATED DOCUMENT, DO NOT MEASURE DRAWING

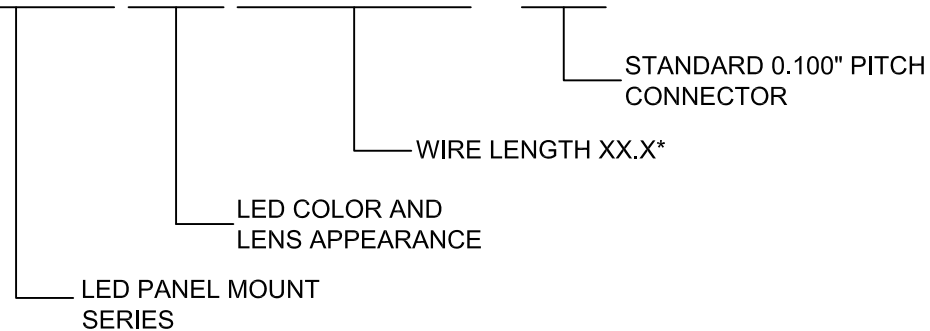
REV.	DESCRIPTION	DATE	APPROVED
	SEE SHEET #1		

## AVAILABLE CONFIGURATIONS

Assy P/N	Emitted Color	Peak Wave Length $\lambda_p$ (nm)	Lens Appearance	Absolute Max. Ratings			Vf (V)		Iv (mcd)	Viewing Angle $2\theta_{1/2}$ (Deg)	LED P/N
				Pd (mW)	If (mA)	Peak If (mA)	TYP	MAX	TYP		
<b>STANDARD SINGLE COLOR LED ASSEMBLIES (20mA)</b>											
PMR4ADWXX.X-CC	AMBER	605	DIFFUSED	80	30	150	2.0	2.8	6	120	R4AD
PMR4GDWXX.X-CC	GREEN	568		80	30	150	2.1	2.8	8	120	R4GD
PMR4RDWXX.X-CC	RED	700		45	30	80	2.1	2.6	0.4	120	R4RD

### PART NUMBER DESIGNATION

P M R 4 G D W X X . X - C C



CUSTOMER USE DRAWING

NOTES:  
1. ADDITIONAL LED OPTICAL / ELECTRICAL DATA AVAILABLE @ [WWW.BIVAR.COM](http://WWW.BIVAR.COM)

		<b>BIVAR</b> <sup>®</sup>	
CAGE CODE	<b>32559</b>	DRAWING NO: PMR4XXXWXX.X-CC	REVISION: <b>C</b>
SHEET SIZE	<b>A</b>	SCALE: N/A	SHEET # 2 OF 2
CAD GENERATED DOCUMENT, DO NOT MEASURE DRAWING			

# Mouser Electronics

Authorized Distributor

Click to View Pricing, Inventory, Delivery & Lifecycle Information:

[BIVAR:](#)

[PMR4ADW6.0-CC](#) [PMR4GDW4.0-CC](#) [PMR4GDW6.0-CC](#)