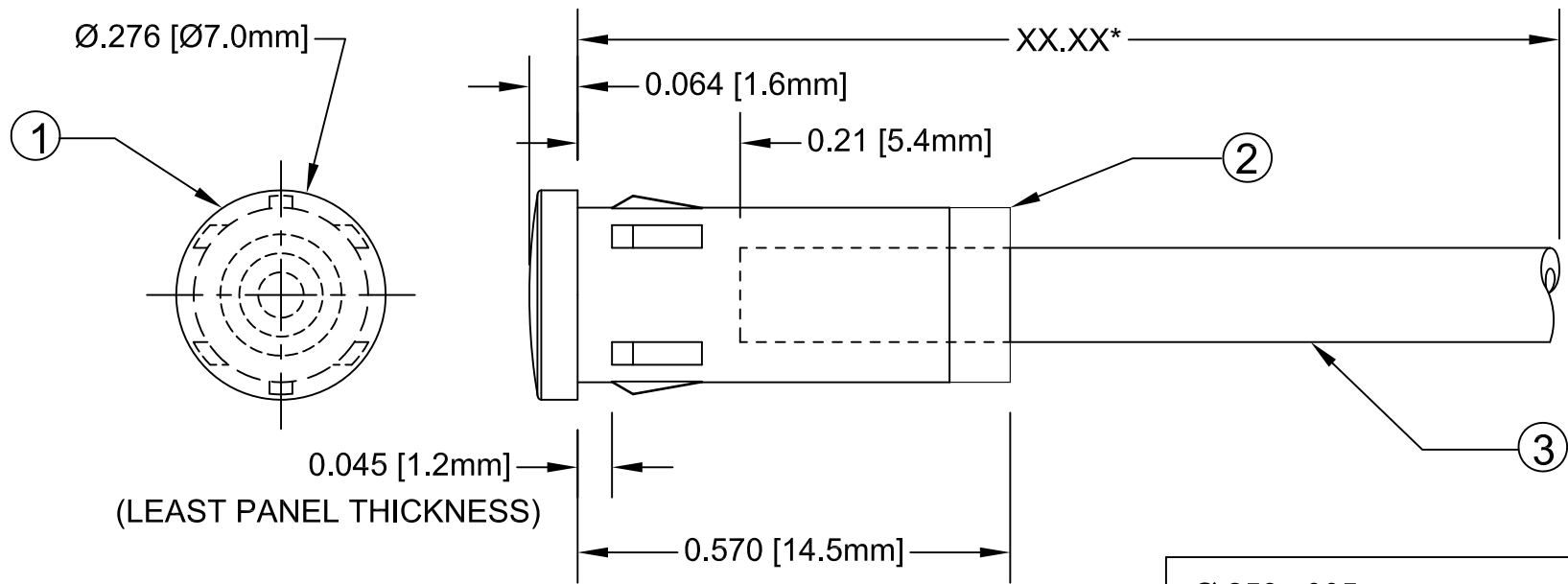


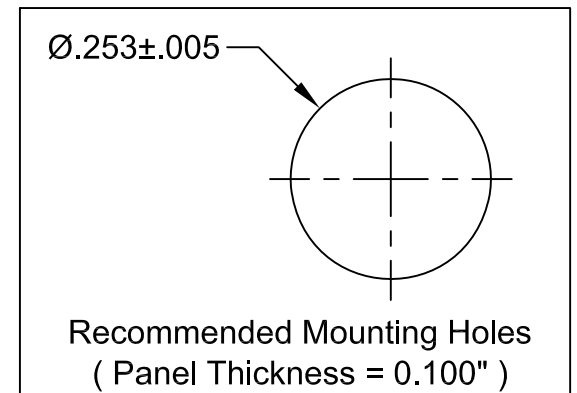
ITEM	Q'TY	PART NUMBER	PART DESCRIPTION
1	1	FLP-LC-5-02	LENS CAP, FLEXIBLE LIGHT-PIPE, BODY
2	1	FLP-LC-5-03	2mm LENS CAP, FLEXIBLE LIGHT-PIPE, INSERT
3	1	FLPS2031-XX.X	2mm LIGHT PIPE CABLE, CUT LENGTH IN INCHES

REV.	DESCRIPTION	DATE	APPROVED
A	Engineering Release	04/20/12	T. Y.



*Length "XX.XX"	Tolerance
2.50" ~ 16.00"	±0.050"
16.25" ~ 40.00"	±0.15"
40.25" ~ 80.00"	±0.30"
80.25" ~ 500.0"	±0.5%

EXAMPLE:
PM7-C2031-6.50
 Series | Fiber Length in 0.25" Increments



STANDARD TOLERANCE (UNLESS OTHERWISE SPECIFIED)		BIVAR [®]	
DECIMALS	ANGULAR	4 THOMAS, IRVINE, CA. 92618	
.X ±.1	X° ± 1°	TEL: (949) 951-8808 FAX: (949) 951-3974	
.XX ±.02		TITLE: 7mm Circular Lens Flexible Light Pipe FLPS2031 Indicators	
.XXX ±.010		PART NO: PM7-C2031-XX.XX	
DESIGNED: Ty Yin	DATE: 04/20/12	REVISION: A	
CHECKED: B. Oliver	DATE: 04/20/12	CAGE CODE : 32559	SHEET # 1 OF 1
CAD GENERATED DOCUMENT, DO NOT MEASURE DRAWING.			

Mouser Electronics

Authorized Distributor

Click to View Pricing, Inventory, Delivery & Lifecycle Information:

[BIVAR:](#)

[PM7-C2031-10.00](#)