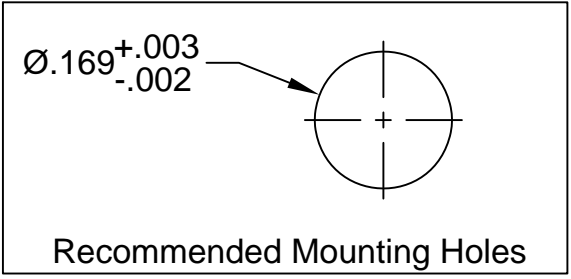
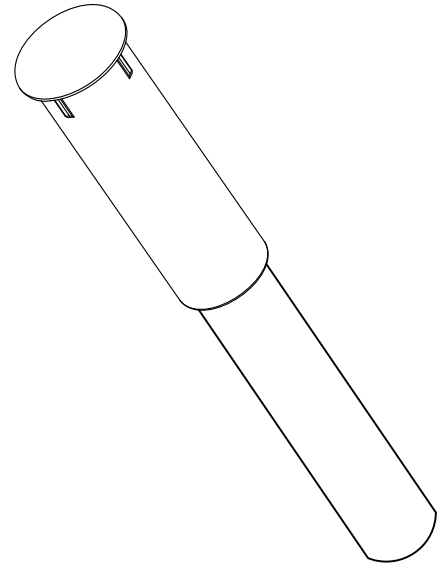
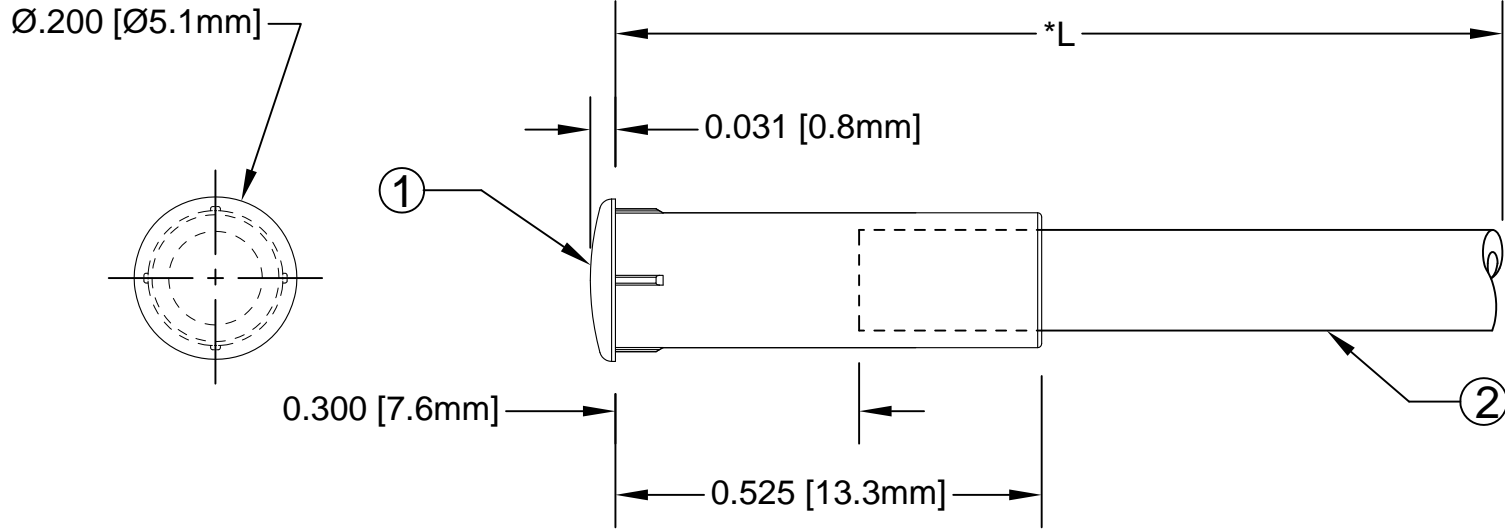




| ITEM | Q'TY | PART NUMBER    | PART DESCRIPTION                           |
|------|------|----------------|--|
| 1    | 1    | FLP-LC2        | LENS CAP, FLEXIBLE LIGHT-PIPE, 5mm ROUND   |
| 2    | 1    | FLPS2031-X.XXX | 2mm LIGHT PIPE CABLE, CUT LENGTH IN INCHES |

| REV. | DESCRIPTION          | DATE     | APPROVED |
|------|----------------------|----------|----------|
| A    | Engineering Release  | 09/14/09 | T. Y.    |
| B    | Updated Fiber In BOM | 11/14/12 | T. Y.    |
| C    | Added Note 2         | 10/06/16 | J. C.    |



| " L "              | Tolerance |
|--------------------|-----------|
| 0.750" ~ 16.000"   | ±0.050"   |
| 16.100" ~ 40.000"  | ±0.150"   |
| 40.100" ~ 80.000"  | ±0.300"   |
| 80.100" ~ 3,940.0" | ±0.5%     |

**NOTE:**  
 1. ALLOWABLE CUT LENGTH IS UP TO 3 DECIMAL PLACES.  
 2. MINIMUM BEND RADIUS OF FLEXIBLE LIGHT PIPE: 1.22" [31mm].

|  |                          |   |  |
|--|--------------------------|---|--|
| STANDARD TOLERANCE<br>(UNLESS OTHERWISE SPECIFIED) |                          | <br>4 THOMAS, IRVINE, CA. 92618<br>TEL: (949) 951-8808 FAX: (949) 951-3974 |  |
| DECIMALS   | ANGULAR                  |   |  |
| .X ±.1   | X° ± 1°                  |  <b>TITLE:</b> LENS CAP / FLP ASSEMBLY,<br>5mm ROUND                       |  |
| .XX ±.02   |                          |   |  |
| .XXX ±.010   |                          | <b>PART NO:</b> LC2-XX.X<br><b>REVISION:</b> C  |  |
| DESIGNED:<br><b>B. Oliver</b>                      | DATE:<br><b>09/14/09</b> | <b>CAGE CODE :</b> 32559<br><b>SHEET #</b> 1 OF 1   |  |
| CHECKED:<br><b>F. Jensen</b>                       | DATE:<br><b>09/14/09</b> | CAD GENERATED DOCUMENT. DO NOT MEASURE DRAWING.   |  |

# Mouser Electronics

Authorized Distributor

Click to View Pricing, Inventory, Delivery & Lifecycle Information:

[BIVAR:](#)

[LC2-3.0](#)