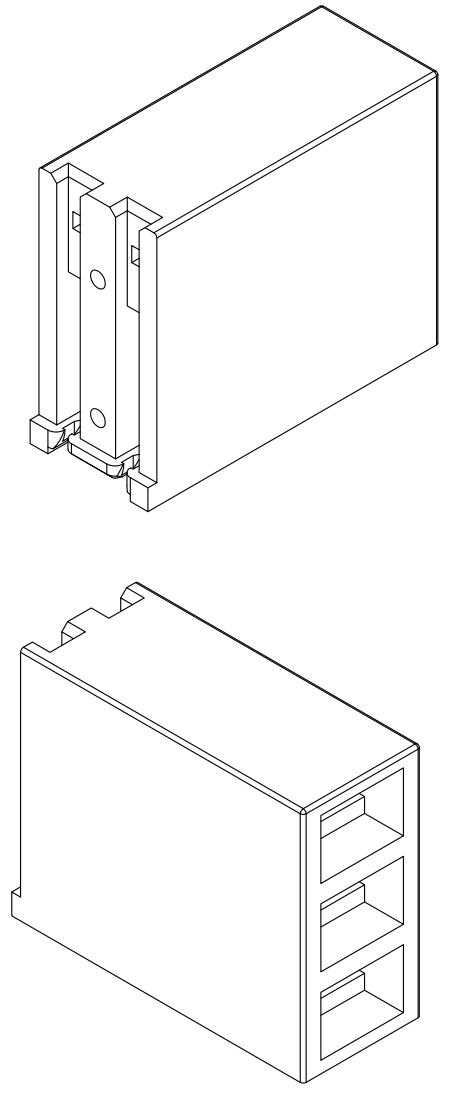
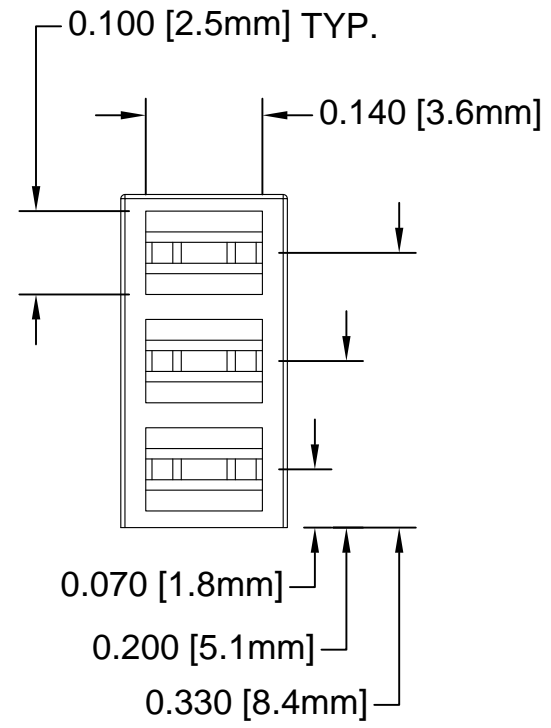
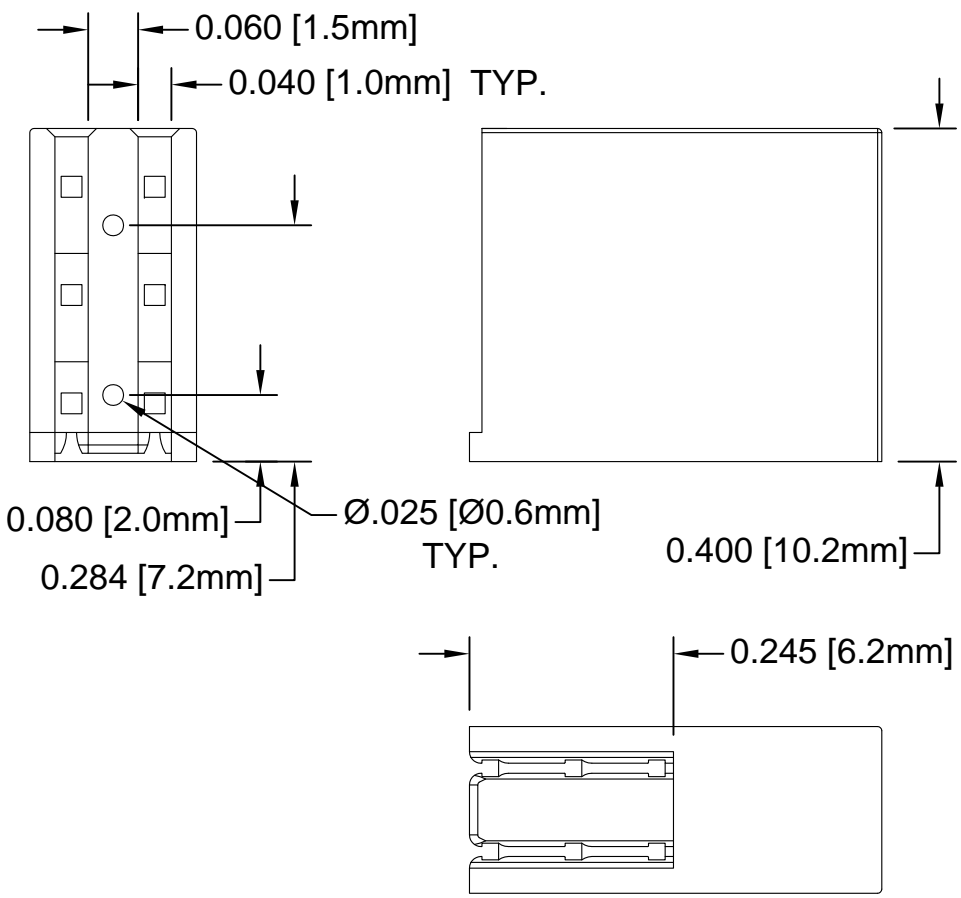
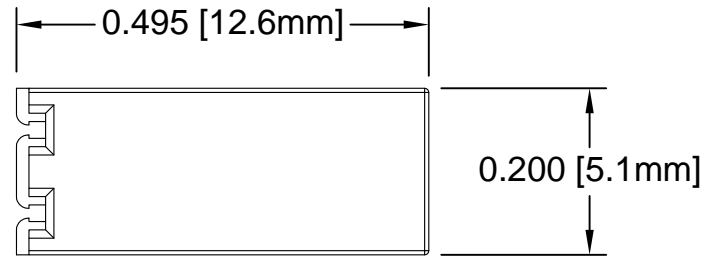


REV.	DESCRIPTION	DATE	APPROVED
A	Engineering Update w/o Changes	05/16/07	M. C.
B	Rear Plate Update	10/15/07	M. C.
C	Updated Title Block	02/07/08	M. C.
D	Removed Material Code	05/28/16	J. C.



- 2. MATERIAL: NYLON 6/6, 94V-0, BLACK.
- 1. GENERAL SPECIFICATIONS: BIVAR MOLDED COMPONENT SPECIFICATION BV00-E101.

STANDARD TOLERANCE (UNLESS OTHERWISE SPECIFIED)		<b>BIVAR</b> <sup>®</sup> 4 THOMAS, IRVINE, CA. 92618 TEL: (949) 951-8808 FAX: (949) 951-3974	
DECIMALS	ANGULAR		
.X ±.1	X° ± 1°	<b>TITLE:</b> 3-HIGH HOLDER FOR 1.8mm LEDs <b>PART NO:</b> H-381C <b>REVISION:</b> D	
.XX ±.01			
.XXX ±.005		<b>CAGE CODE :</b> 32559 <b>SHEET #</b> 1 OF 1	
DESIGNED: <b>T. Yin</b>	DATE: <b>10/15/07</b>	CAD GENERATED DOCUMENT. DO NOT MEASURE DRAWING.	
CHECKED: <b>M. Chen</b>	DATE: <b>10/15/07</b>		

# Mouser Electronics

Authorized Distributor

Click to View Pricing, Inventory, Delivery & Lifecycle Information:

[BIVAR:](#)

[H-381C](#)