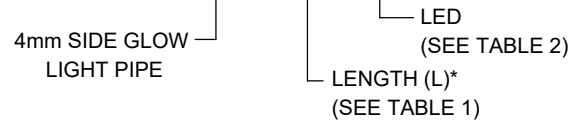


**NOTES:**

1. SIDE GLOW LIGHT PIPE AND ADAPTER ASSEMBLY SHIPPED UNASSEMBLED.
2. LENGTHS AVAILABLE FROM 6.0IN [152mm] UP TO 36.0IN [914mm].
3. SIDE GLOW LIGHT PIPE WITH HEAT SHRINK INSERTED INTO ADAPTER HOUSING TO COMPLETE INSTALLATION.
4. RECOMMENDED FOR ONE TIME INSERTION.

**PART NUMBER CONFIGURATOR**

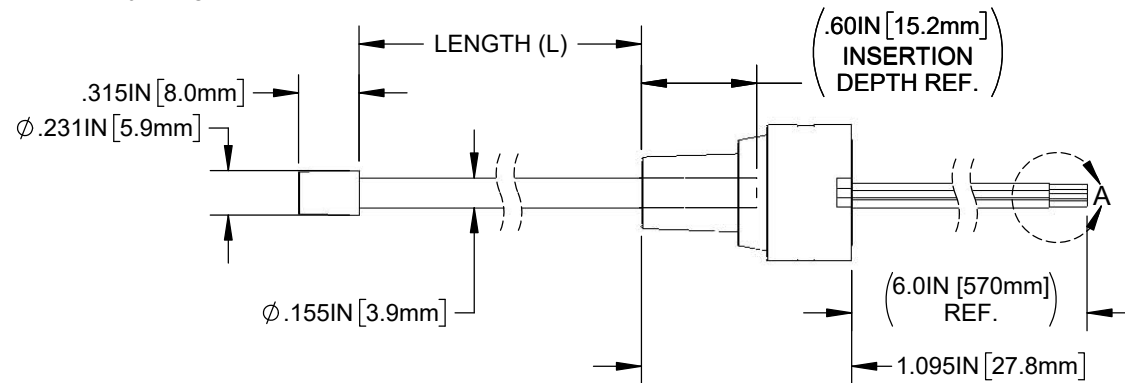
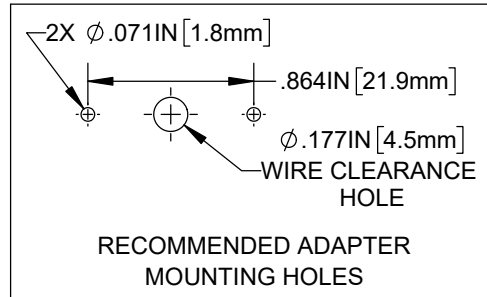
SASG4-YY.YY-ZZZ



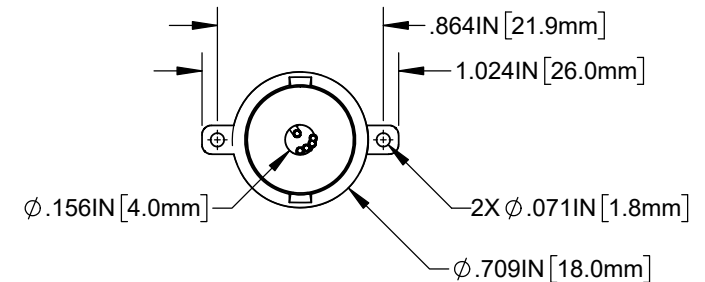
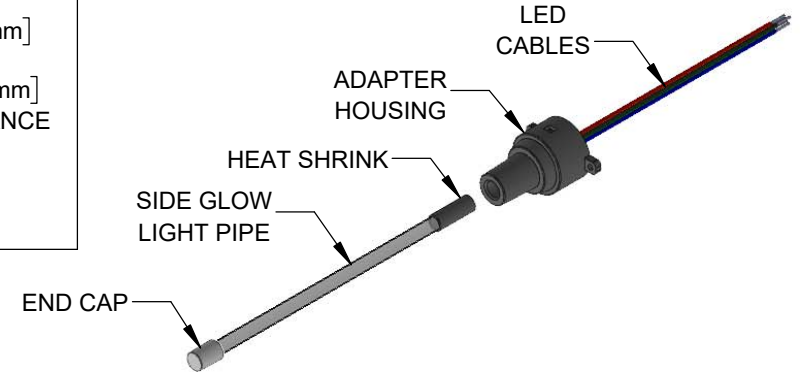
LENGTH (L)*	TOLERANCE
6.0" - 16.0"	±0.1"
16.1" - 36.0"	±0.2"

ORDER CODE	COLOR
RGB	RGB

\*AVAILABLE IN 0.1" INCREMENTS



REVISIONS			
REV.	DESCRIPTION	DATE	APPROVED
B	UPDATED WIRE LENGTH	6/13/2024	A.V.
C	UPDATED LENGTH TOLERANCE	6/21/2024	A.V.
D	UPDATED BOM	7/17/2024	A.V.
E	UPDATED BOM	7/31/2024	A.V.
F	UPDATED MFG DRAWING	8/12/2024	A.V.



Emitted RGB Colors	Dom. Wave L.	Electro-Optical Data	
	$\lambda_p$ [nm]	$V_f$ [V]	$I_v$ [mcd]
	TYP	TYP	TYP
Red	622	5.0	550
Green	525	5.0	4500
Blue	465	5.0	500

CABLE COLOR	DESCRIPTION
BLACK	GROUND
RED	RED LED
GREEN	GREEN LED
BLUE	BLUE LED
YELLOW	V IN



DETAIL A  
SCALE 4 : 1

**CUSTOMER USE DRAWING**

STANDARD TOLERANCE (UNLESS OTHERWISE SPECIFIED)		 4 THOMAS, IRVINE, CA. 92618 TEL: (949) 951-8808 FAX: (949) 951-3974	
DECIMALS	ANGULAR		
.X ± .1	X° ± 1°	TITLE: SURFACE AREA LIGHT GUIDE, SIDE GLOW 4mm	
.XX ± .02		DESIGNED: K. BARON	DATE: 6/5/2024
.XXX ± .010		DRAWING NO: SASG4-YY.YY-ZZZ	REVISION: F
		REVISOR: K. BARON	DATE: 8/12/2024
		CHECKED: D. ASHBY	DATE: 8/12/2024
SHEET SIZE: A		CAGE CODE: 32559	
SCALE: 1:1		SHEET # 1 OF 1	
CAD GENERATED DOCUMENT, DO NOT MEASURE DRAWING			

# Mouser Electronics

Authorized Distributor

Click to View Pricing, Inventory, Delivery & Lifecycle Information:

[BIVAR:](#)

[SASG4-24.00-RGB](#) [SASG4-12.00-RGB](#) [SASG4-18.00-RGB](#) [SASG4-6.00-RGB](#)