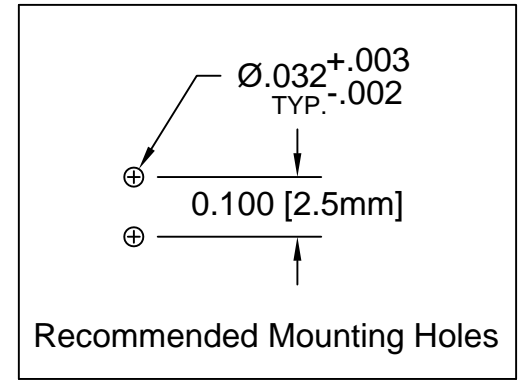
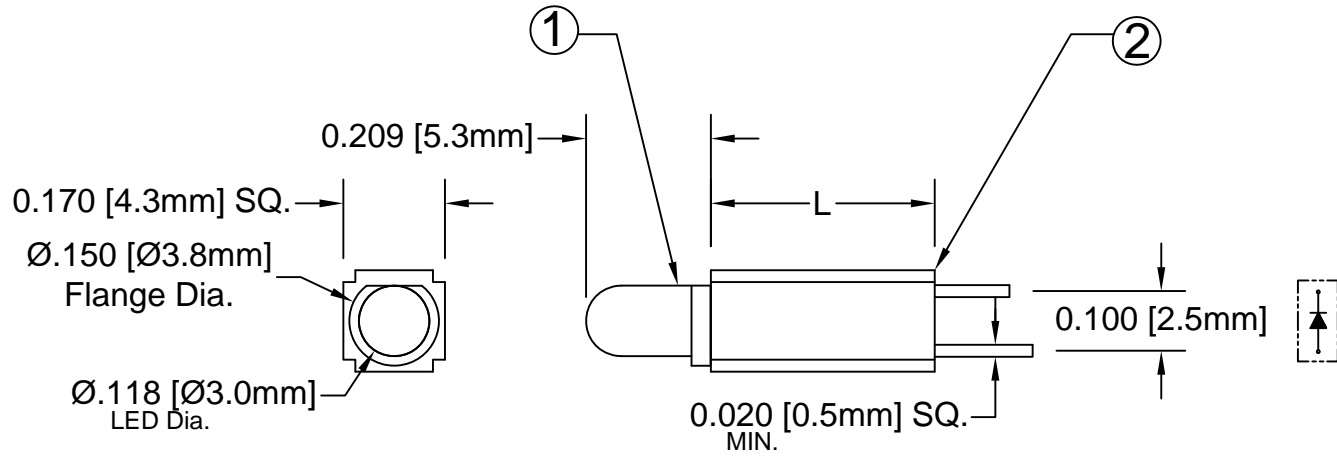



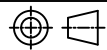
| ITEM | Q'TY | PART NUMBER | PART DESCRIPTION |
|------|------|-------------|--|
| 1 | 1 | 3XX-F | T-1 (3mm) Flanged LED, See Page 2 |
| 2 | 1 | ERB-XXX | Extruded, Self-Retaining Narrow LED Spacer |

| REV. | DESCRIPTION | DATE | APPROVED |
|------|--------------------------------|----------|----------|
| A | Engineering Update w/o Changes | 03/05/04 | M. C. |
| B | Update LED, EMN-ELMXXX3XX | 08/23/06 | M. C. |
| C | Removed Tolerance Note | 09/03/08 | M. C. |
| D | Engineering Update w/o Changes | 05/26/16 | J. C. |




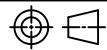
ABSOLUTE MAXIMUM RATINGS (Ta=25°C)

| | | |
|---|-------|----------------------|
| REVERSE VOLTAGE | _____ | 5V |
| REVERSE CURRENT | _____ | 100uA |
| OPERATING TEMPERATURE RANGE | _____ | -25° C - 85° C |
| STORAGE TEMPERATURE | _____ | -30° C - 100° C |
| LEAD SOLDERING TEMPERATURE(1/16" FROM BODY) | _____ | 260° C FOR 5 SECONDS |

| | | | |
|--|--------------------------|---|---|
| STANDARD TOLERANCE (UNLESS OTHERWISE SPECIFIED) | |  4 THOMAS, IRVINE, CA. 92618 TEL: (949) 951-8808 FAX: (949) 951-3974 | |
| DECIMALS | ANGULAR | | |
| .X ± .1 | X° ± 1° |  | TITLE: EXTRUDED VERTICAL T-1 (3mm) LED SQUARE SPACER ASSY |
| .XX ± .02 | | | PART NO: ERBXXX3XX |
| .XXX ± .010 | | | REVISION: D |
| DESIGNED: T. Yin | DATE: 03/05/04 | CAGE CODE : 32559 SHEET # 1 OF 2 | |
| CHECKED: D. Green | DATE: 03/05/04 | CAD GENERATED DOCUMENT. DO NOT MEASURE DRAWING. | |

| | | | |
|------|-------------|------|----------|
| REV. | DESCRIPTION | DATE | APPROVED |
| | SEE SHEET#1 | | |

| LED Assy. No. | Peak Wave Length λ_p (nm) | Emitted Color | Lens Appearance | Electro-Optical Data | | | | Viewing Angle $2\theta_{1/2}$ (Deg) | LED P/N |
|--------------------|--------------------------------------|---------------|-----------------|----------------------|-----------|-----|-------------|---|---------|
| | | | | If (mA) | Vf (V) | | Iv (mcd) | | |
| | | | | TYP | TYP | MAX | TYP | | |
| STANDARD | | | | Data @ 20mA | | | | | |
| ERBXXX3BWD | 430 | BLUE | DIFFUSED | 20 | 4.0 | 4.5 | 20.0 | 45 | 3BWD-F |
| ERBXXX3GD | 565 | GREEN | DIFFUSED | 20 | 2.2 | 2.6 | 30.0 | 45 | 3GD-F |
| ERBXXX3YD | 585 | YELLOW | DIFFUSED | 20 | 2.1 | 2.6 | 20.0 | 45 | 3YD-F |
| ERBXXX3HD | 635 | HE RED | DIFFUSED | 20 | 2.0 | 2.6 | 30.0 | 45 | 3HD-F |
| ERBXXX3RD | 655 | RED | DIFFUSED | 20 | 1.7 | 2.0 | 6.0 | 45 | 3RD-F |
| ERBXXX3SRD | 660 | SUPER RED | DIFFUSED | 20 | 1.7 | 2.6 | 90.0 | 45 | 3SRD-F |
| LOW CURRENT | | | | Data @ 2mA | | | | | |
| ERBXXX3GDL | 565 | GREEN | DIFFUSED | 5 | 1.9 | 2.2 | 6.0 | 45 | 3GDL-F |
| ERBXXX3YDL | 585 | YELLOW | DIFFUSED | 5 | 1.9 | 2.2 | 4.0 | 45 | 3YDL-F |
| ERBXXX3HDL | 635 | HE RED | DIFFUSED | 5 | 1.8 | 2.2 | 6.0 | 45 | 3HDL-F |
| 5 VOLT | | | | Data @ 5V | | | | | |
| ERBXXX3GD5V | 565 | GREEN | DIFFUSED | 8 | - | 5.0 | 30.0 | 45 | 3GD5V-F |
| ERBXXX3YD5V | 585 | YELLOW | DIFFUSED | 8 | - | 5.0 | 20.0 | 45 | 3YD5V-F |
| ERBXXX3HD5V | 635 | HE RED | DIFFUSED | 8 | - | 5.0 | 30.0 | 45 | 3HD5V-F |

| | | | |
|--|--------------------------|--|-------------------------------------|
| STANDARD TOLERANCE (UNLESS OTHERWISE SPECIFIED) $\pm 10\%$ ALL VALUES ANGULAR | |  4 THOMAS, IRVINE, CA. 92618 TEL: (949) 951-8808 FAX: (949) 951-3974 | |
|  | | | |
| DESIGNED: T. Yin | DATE: 03/05/04 | TITLE: EXTRUDED VERTICAL T-1 (3mm) LED SQUARE SPACER ASSY | REVISION: D |
| CHECKED: D. Green | DATE: 03/05/04 | PART NO: ERBXXX3XX | CAGE CODE : 32559 SHEET # 2 OF 2 |
| CAD GENERATED DOCUMENT, DO NOT MEASURE DRAWING. | | | |

Mouser Electronics

Authorized Distributor

Click to View Pricing, Inventory, Delivery & Lifecycle Information:

[BIVAR:](#)

[ERB-430](#)