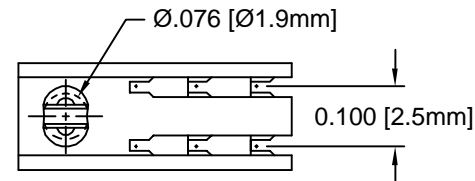
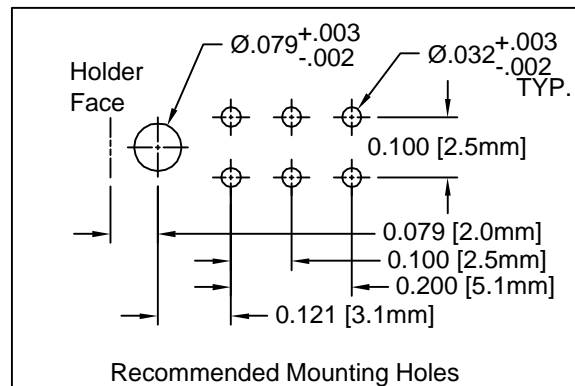
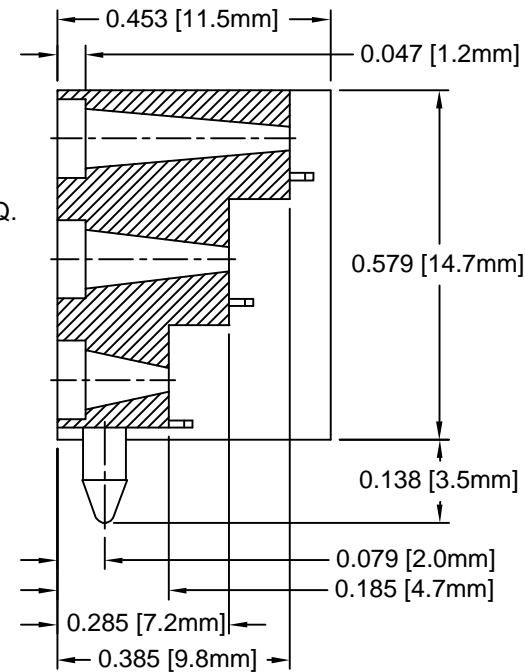
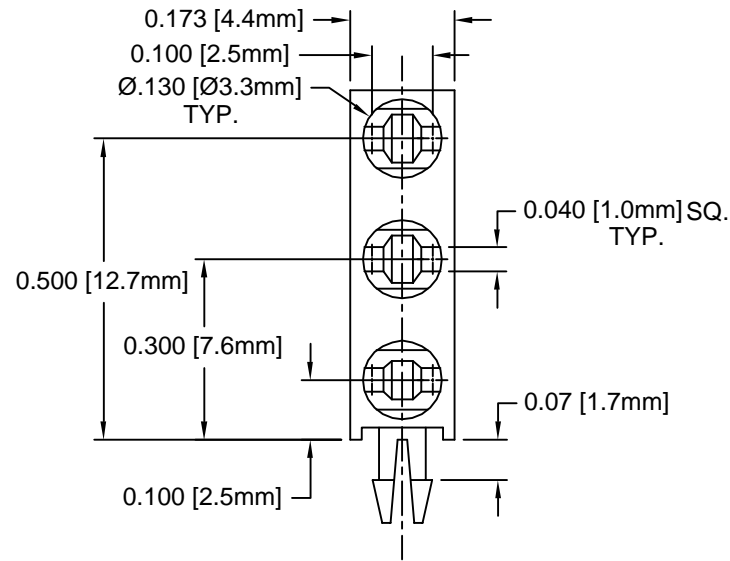




REV.	DESCRIPTION	DATE	APPROVED
D	Engineering Update w/o Changes	02/27/04	M. C.



2. MATERIAL: NYLON 6/6, 94V-0, BLACK. BIVAR MATERIAL CODE 22-BK.
RTP POLYAMIDE NYLON 6/6, 0200 FR, BLACK OR MODIFIED PLASTICS MN6/6-SE BK.
1. GENERAL SPECIFICATIONS: BIVAR MOLDED COMPONENT SPECIFICATION BV00-E101.

STANDARD TOLERANCE (UNLESS OTHERWISE SPECIFIED)		 BIVAR [®] 4 THOMAS, IRVINE, CA. 92618 TEL: (949) 951-8808 FAX: (949) 951-3974	
DECIMALS	ANGULAR	TITLE: TRI-LEVEL T-1 (3mm) LED HOLDER	
.X ± .1	X° ± 1°		
.XX ± .01			
.XXX ± .005		DESIGNED: Shane Irving DATE: 06/24/02 REVISION: D	
		PART NO: H-320C-LP	
		CAGE CODE : 32559 SHEET # 1 OF 1	
CHECKED: M. Chen DATE: 06/25/02		CAD GENERATED DOCUMENT, DO NOT MEASURE DRAWING.	

Mouser Electronics

Authorized Distributor

Click to View Pricing, Inventory, Delivery & Lifecycle Information:

[BIVAR:](#)

[H-320C-LP](#)