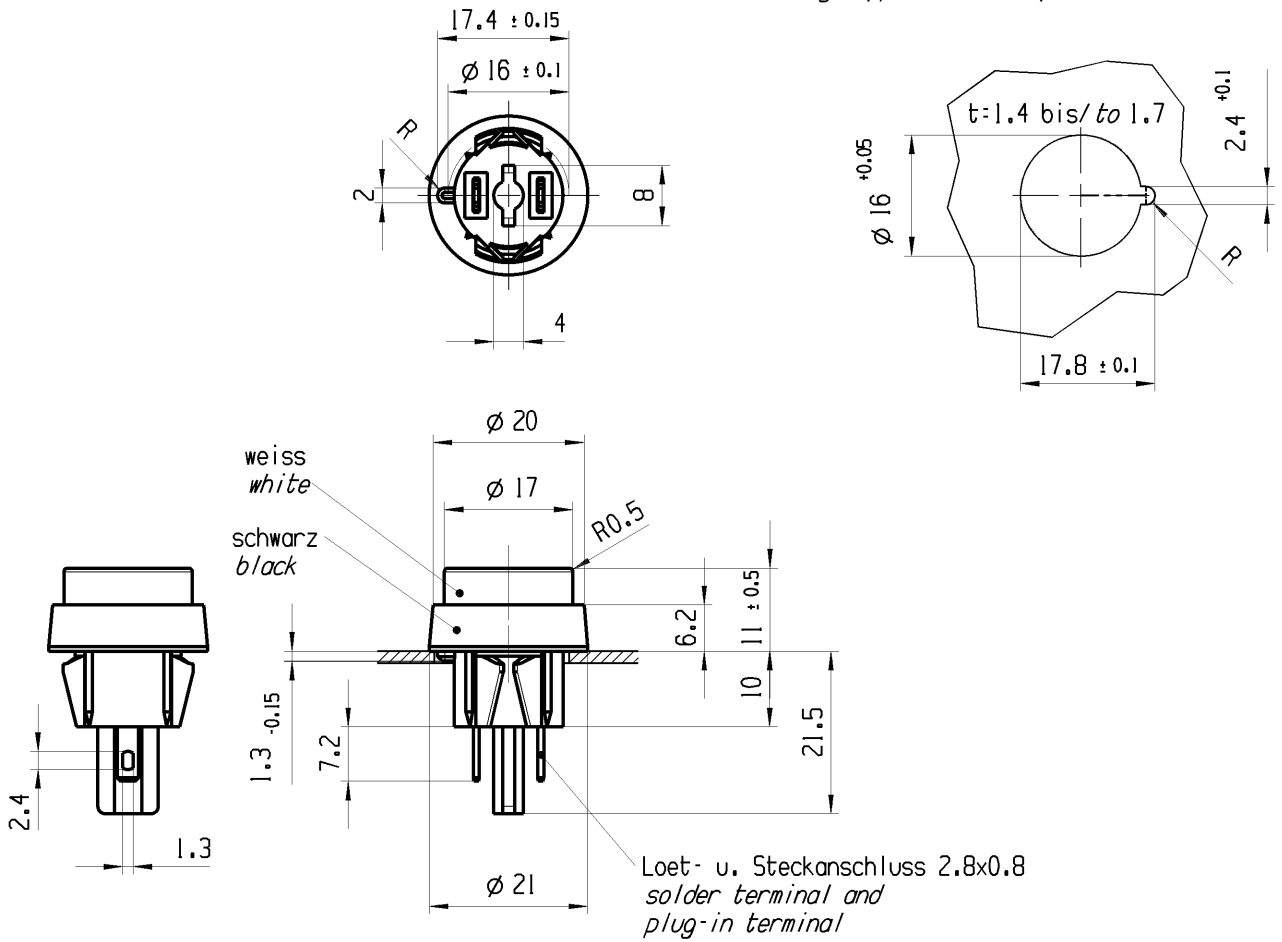


Empfohlener Ausschnitt fuer Rastbefestigung
(Grat gegenueber Bestueckungsseite)
*recommended cut-out for snap-in fixing
(ledge opposite to snap-in direction)*



Aufschrift
Marking

5000.
4(2)/250 ~ 5E4 T85
05
4A 125V AC
2A 250V AC
1/10 HP 125-250V AC
R3

Schliesser 1-polig
Fuer Gerate der Klasse II geeignet

SPNO
suitable for appliances of class II

Vorlaufweg 2 ± 0.4
pre-travel

Gesamtweg 4 ± 0.4
total travel

Herstellort/-jahr/-woche
code of manufacture: place/year/week

| | | | | | | | | | | |
|---------------------------------------|---------------------------|---|--|--------------------|--------------------|--------------|----------------|---|------------------------------|---------|
| fuer Form und Lage FOR SHAPE AND LOC. | ☉ = | Allgemeintoleranzen UNTOLERANCED DIMENSIONS | | | | Pause COPY | Blatt SHEET 01 | TYP K | Zeichn./DRAWING NO. 50000212 | Index 9 |
| | fuer Winkel FOR ANGLE ± 2 | PROJEKTION | Abmasse und Nennmassbereiche Angaben in mm | Laenge LENGTH | Radien RADII | | | | | |
| | | ALL DIMENSIONS ARE IN MILLIMETRES | 0-6 ± 0.2 ± 0.2 | >6-15 ± 0.3 ± 0.3 | >15-30 ± 0.3 ± 0.3 | | | GERAETESCHALTER | | |
| | | | >30-70 ± | >70-120 ± | >120 ± | | | appliance switch | | |
| d | 29580 | 17.05.00 | BMI | | | CAD: NX v8.5 | | | | |
| c | 29580 | 17.05.00 | BMI | g | 100235 | 26.02.16 | MUT | | | |
| c | 23669 | 12.01.96 | M00 | r | 68405 | 27.04.10 | HHE | gez./DRAWN BY 26.02.16 MUT gepr./CHECKED BY | | |
| b | 21107 | 25.09.91 | M00 | e | 32628 | 09.10.01 | LI | Ersatz fuer/REPLACEMENT OF Zg.gl.Nr.v.15.05.2000 | | |
| Ausg. ISSUE | Aenderung REVISION | gez. DRAWN BY | Ausg. ISSUE | Aenderung REVISION | gez. DRAWN BY | | | MARQUARDT | | |

Mouser Electronics

Authorized Distributor

Click to View Pricing, Inventory, Delivery & Lifecycle Information:

[Marquardt:](#)

[05000.0212-02](#)