

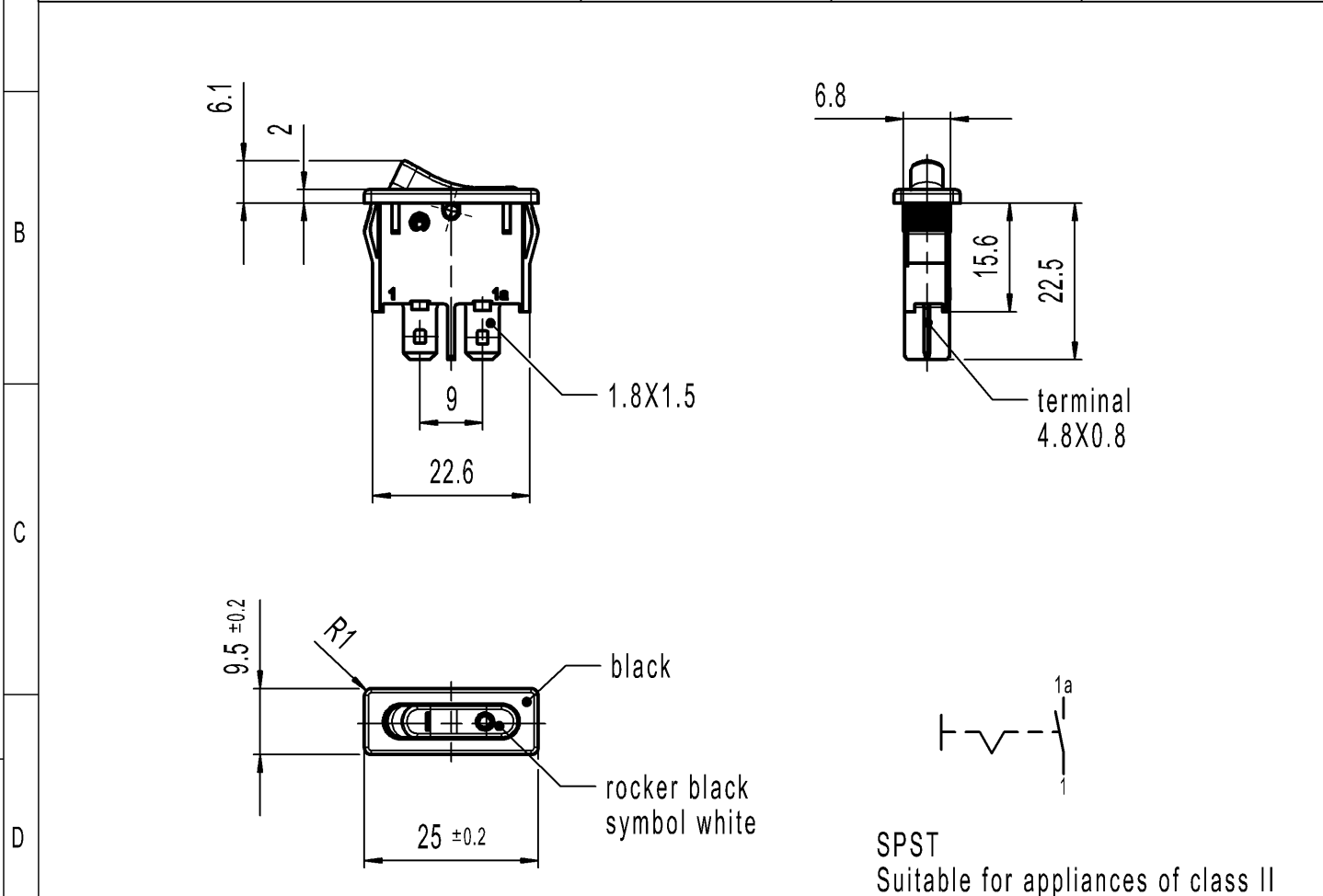
CONFIDENTIAL

VERTRAULICH

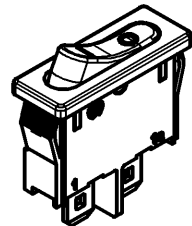
THIS DRAWING IS THE EXCLUSIVE PROPERTY OF MARQUARDT. WITHOUT THEIR CONSENT IT MAY NOT BE REPRODUCED OR GIVEN TO THIRD PARTIES.

Alle Rechte bei Marquardt, auch fuer den Fall von Schutzrechtsanmeldungen. Jede Veruegungsbefugnis, wie Kopier- und Weitergaberecht, bei uns.

A	recommended cut-out for snap-in fixing (edge opposite to snap-in direction)	1	2	3	4
			wall thickness	length of cut-out	width of cut-out
			0.75 to 1.25	23.2 -0.1	6.8+0.1
			1.25 to 2	23.4 -0.1	6.8+0.1
		2 to 3	23.8 -0.1	6.8+0.1	



SPST
Suitable for appliances of class II



Marking
 1911.
 4(1)/250~5E4
 6(2)/250~
 T80/55

Code of manufacture: place/year/week
 On box: Customer Part No. see variant table

-		-		0041.0661		1911.1104-XX	
Figure		Type		Customer Part No.		Art.No.-PI	
Shape and location	Angle $\pm 2^\circ$	Length		Sheet 01		Ident.	Document number
	Edge tolerance	0-6	± 0.1	± 0.2	Format DIN	Projection	Scale
		>6-15	± 0.15	± 0.3	A4		1:1
		>15-30	± 0.2	± 0.2	All dimensions are in millimetres		Appliance Switch
d	141238	2023-01-25		MOHITEN			
c	117433	2018-06-15		MUT			
b	102884	2016-06-22		HHE			
a	43248	2005-05-12		hhe			
Index	MEC-No.	Date (YYYY-MM-DD)		Edited by		Replacement of	
				Zg.gl.Nr.v.12.07.1999			

Mouser Electronics

Authorized Distributor

Click to View Pricing, Inventory, Delivery & Lifecycle Information:

[Marquardt:](#)

[01911.1104-01](#)