

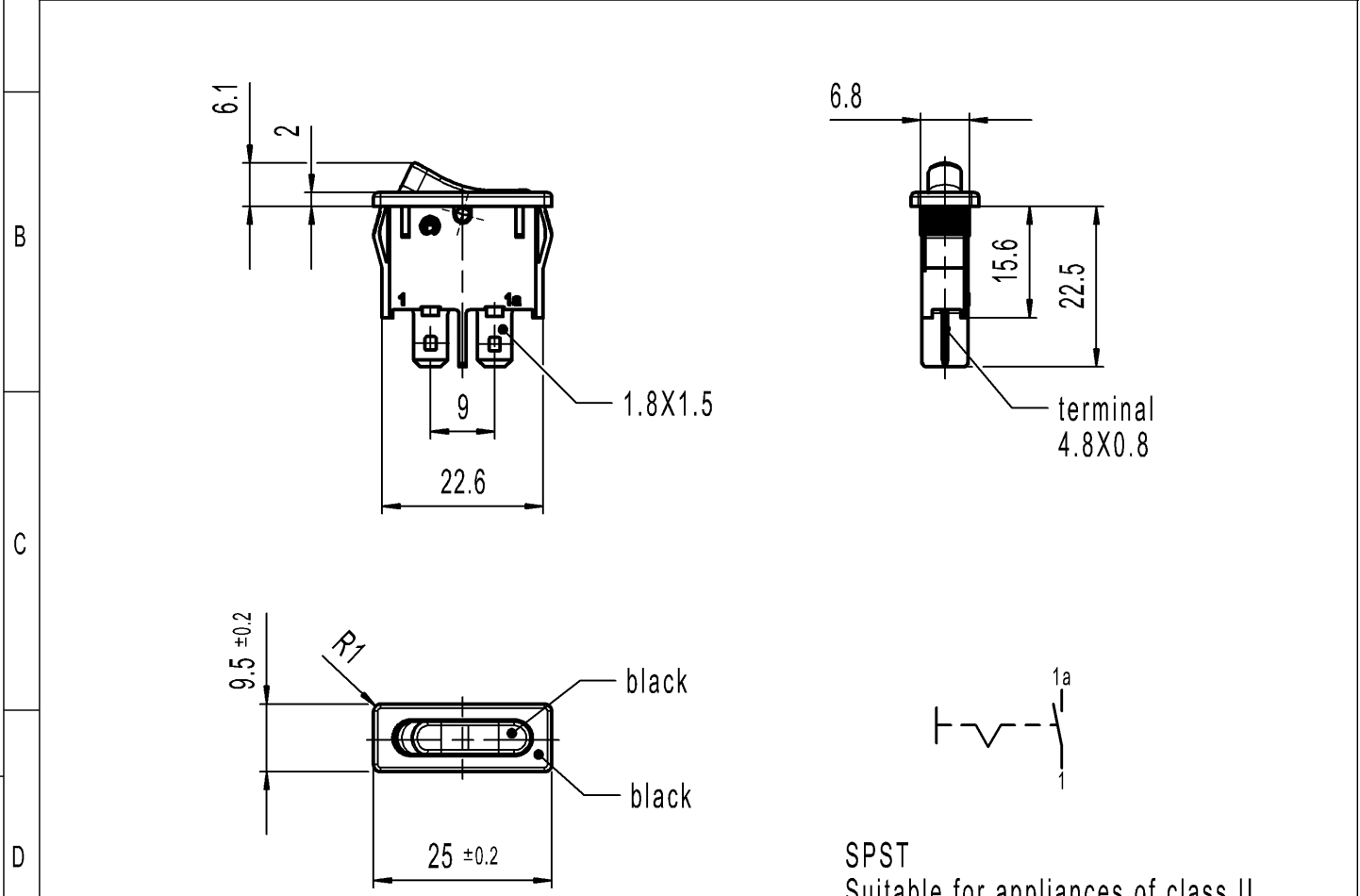
CONFIDENTIAL

VERTRAULICH

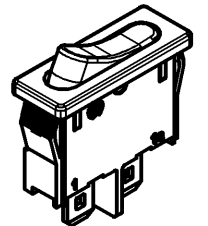
THIS DRAWING IS THE EXCLUSIVE PROPERTY OF MARQUARDT. WITHOUT THEIR CONSENT IT MAY NOT BE REPRODUCED OR GIVEN TO THIRD PARTIES.

Alle Rechte bei Marquardt, auch fuer den Fall von Schutzrechtsanmeldungen. Jede Veruegungsbefugnis, wie Kopier- und Weitergaberecht, bei uns.

A	recommended cut-out for snap-in fixing (edge opposite to snap-in direction)	1	2	3	4
			wall thickness	length of cut-out	width of cut-out
		0.75 to 1.25	23.2 -0.1	6.8+0.1	
		1.25 to 2	23.4 -0.1	6.8+0.1	
		2 to 3	23.8 -0.1	6.8+0.1	

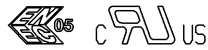


SPST  
Suitable for appliances of class II  
G=matching IEC 60335-1:2001 clause 30



Marking

Ⓜ  
1911.  
4(1)/250~5E4  
6(2)/250~  
T80/55



Code of manufacture: place/year/week  
On box: G

-		-		1911.1102-XX	
Figure		Type		Customer Part No.	
-		-		Art.No.-PI	
Shape and location	Angle ± 2 °	Length		Sheet 01	
	Edge tolerance	0-6	± 0.2	Ident. Document number Index	
Ⓜ		>6-15	± 0.4	K 19111102 j	
		>15-30	± 0.4	Appliance Switch	
				All dimensions are in millimetres	
j	141238	2022-11-17		MOHITEN	
i	102884	2016-06-22		HHE	
h	90988	2014-08-11		HHE	
g	43248	2005-05-31		hhe	
Index	MEC-No.	Date (YYYY-MM-DD)		Edited by	
				System NX V1899	
				Replacement of	
				Zg.gl.Nr.v.18.03.1991	
				MARQUARDT	

# Mouser Electronics

Authorized Distributor

Click to View Pricing, Inventory, Delivery & Lifecycle Information:

[Marquardt:](#)

[01911.1102-03](#)