

CONFIDENTIAL

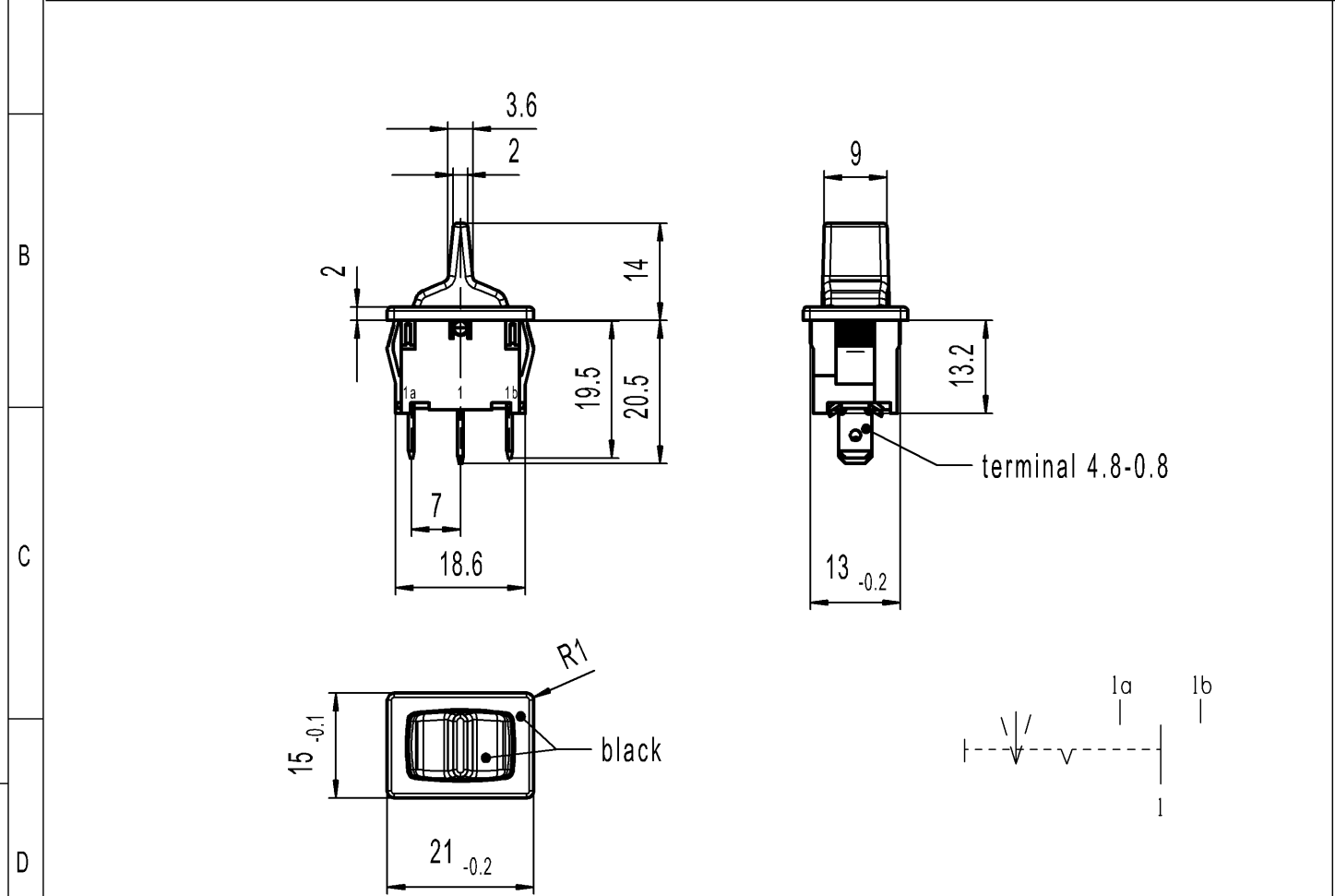
VERTRAULICH

Alle Rechte bei Marquardt, auch fuer den Fall von Schutzrechtsanmeldungen. Jede Veruegungsbefugnis, wie Kopier- und Weitergaberecht, bei uns.

©

THIS DRAWING IS THE EXCLUSIVE PROPERTY OF MARQUARDT. WITHOUT THEIR CONSENT IT MAY NOT BE REPRODUCED OR GIVEN TO THIRD PARTIES.

A	1	2	3	4
	recommended cut-out for snap-in fixing (edge opposite to snap-in direction)	wall thickness 0.75 to 1.25 1.25 to 2 2 to 3	length of cut-out 19.2 ^{-0.1} 19.4 ^{-0.1} 19.8 ^{-0.1}	width of cut-out 12.9 ^{+0.1} 12.9 ^{+0.1} 12.9 ^{+0.1}

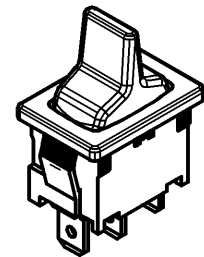


SPDT
With centre-off
Suitable for appliances of class II

Marking

1818. μ
 6(2)/250 ~ T100/55 | 6A 125-250V AC
 1/8HP
 R58

Code of manufacture: place/year/week



-	-	-	1818.1102-XX
Figure	Type	Customer Part No.	Art.No.-PI
Shape and location	Angle $\pm 2^\circ$	Sheet 01	Ident. K
	Edge tolerance	Format DIN A4	Document number 18181102
	Length	Projection	Index e
	Radii	Scale 1:1	Appliance Switch
e	138576	All dimensions are in millimetres	
d	64505	System NX V1872	
c	29866	Replacement of	
b	29866	Zg.gl.Nr.v.04.07.2000	
Index	MEC-No.	Date (YYYY-MM-DD)	Edited by



Mouser Electronics

Authorized Distributor

Click to View Pricing, Inventory, Delivery & Lifecycle Information:

[Marquardt:](#)

[01818.1102-00](#) [01818.1102-01](#)