

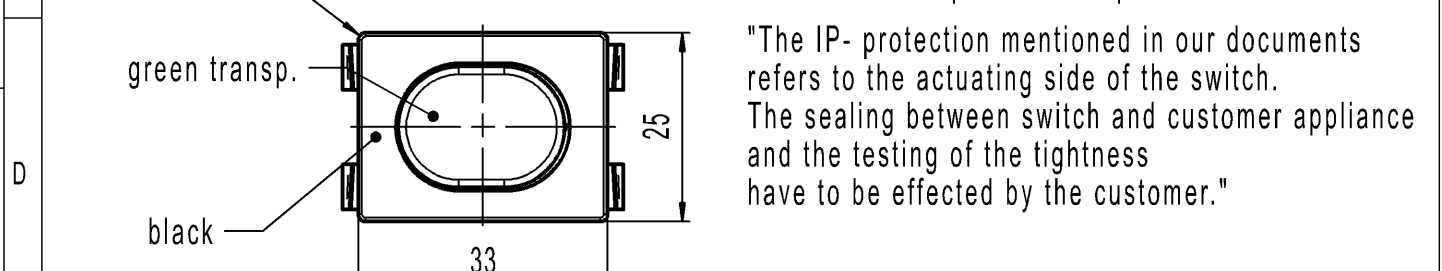
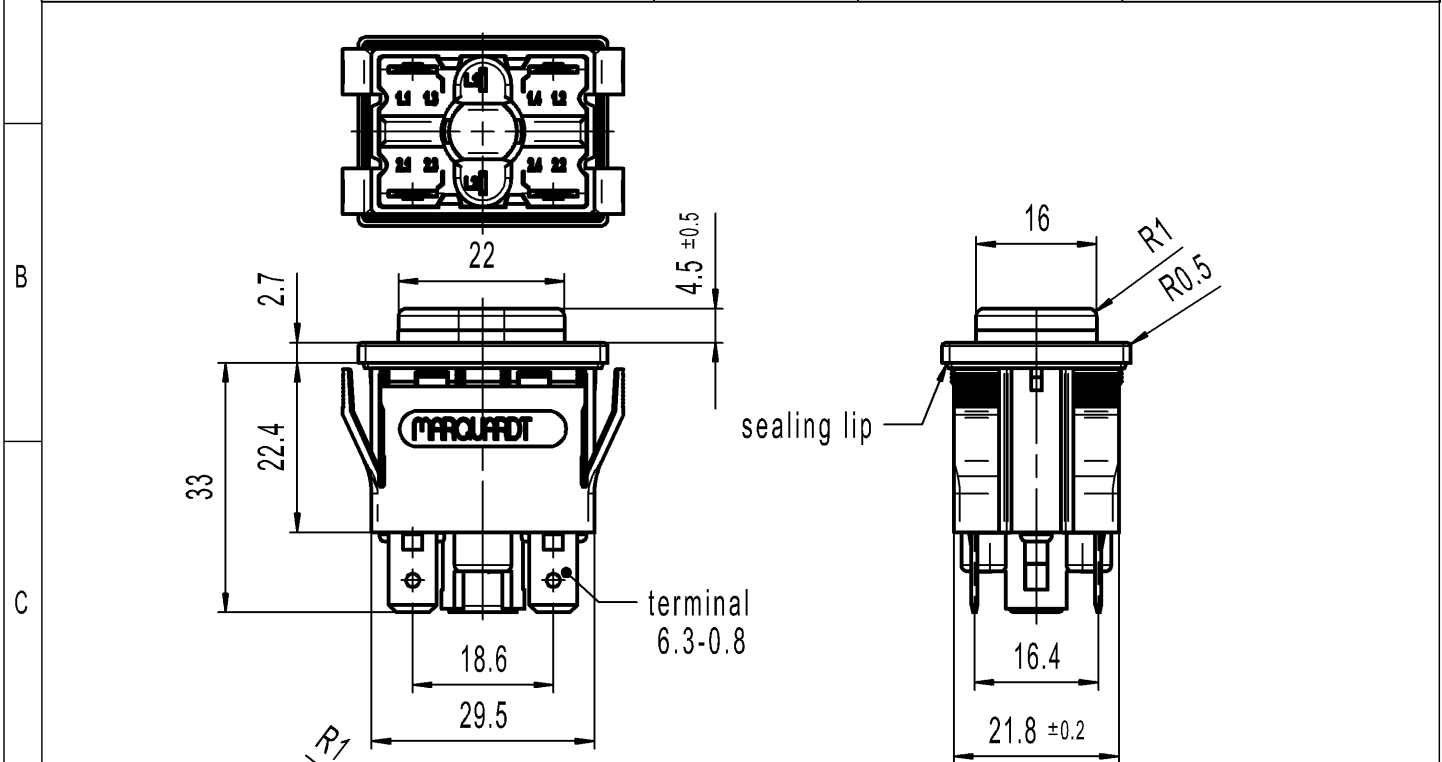
THIS DRAWING IS THE EXCLUSIVE PROPERTY OF MARQUARDT. WITHOUT THEIR CONSENT IT MAY NOT BE REPRODUCED OR GIVEN TO THIRD PARTIES.

CONFIDENTIAL

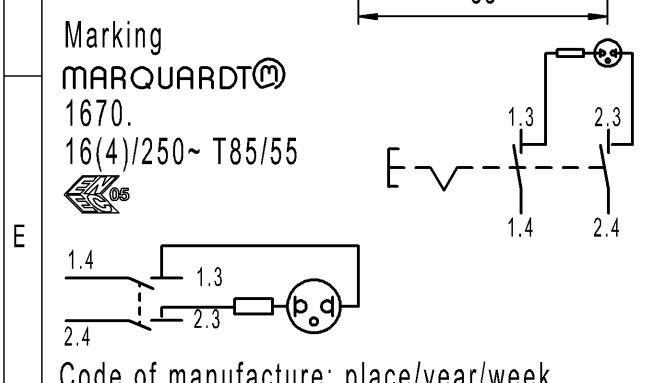
VERTRAULICH

Alle Rechte bei Marquardt, auch fuer den Fall von Schutzrechtsanmeldungen. Jede Verfuugungsbefugnis, wie Kopier- und Weitergaberecht, bei uns.

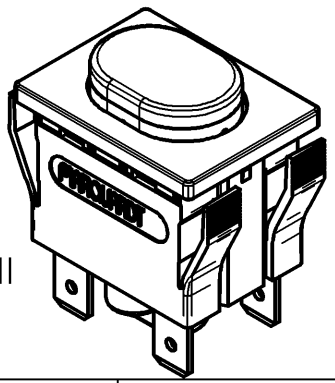
A	1	2	3	4	
	recommended cut-out for snap-in fixing (edge opposite to snap-in direction)		wall thickness	length of cut-out	width of cut-out
			0.8 to 5	30 +0.15	22.2 +0.15



"The IP- protection mentioned in our documents refers to the actuating side of the switch. The sealing between switch and customer appliance and the testing of the tightness have to be effected by the customer."



DPST
 Neon lamp with Rv for 230 V AC
 Total travel 4±0.4
 Suitable for appliances of class II
 Actuating side protected acc. to
 DIN 40 050, IP 54



-	-	-	1670.5202-XX
Figure	Type	Customer Part No.	Art.No.-PI

Shape and location	Angle ± 2 °	Length		Radii		Sheet	01	Ident.	Document number	Index
	Edge tolerance	0-6	± 0.2			± 0.2	Format	K	16705202	f
		>6-15	± 0.4				Projection	Appliance Switch		
		>15-30	± 0.4				Scale			
		>30-70	± 0.6				1:1	MARQUARDT		
f	137245	2022-02-25		MOHITEN		All dimensions are in millimetres		Replacement of		
e	36501	2003-09-01		VOR		System NX V1872				
d	32547	2002-06-10		SIG		Zg.gl.Nr.v.01.09.1993		MARQUARDT		
c	28173	1999-10-11		MUT						
Index	MEC-No.	Date (YYYY-MM-DD)		Edited by						

Mouser Electronics

Authorized Distributor

Click to View Pricing, Inventory, Delivery & Lifecycle Information:

[Marquardt:](#)

[01670.5202-00](#)