



# QUICKSWITCH® PRODUCTS HIGH-PERFORMANCE CMOS TWO CHANNEL 4PST SWITCH

**IDTQS4A105**

## FEATURES:

- Low ON resistance:  $r_{DS(ON)} = 5\Omega$
- Wide bandwidth: 1.3GHz (-3dB point)
- Crosstalk: 100dB at 50KHz, -70dB at 5MHz, -50dB at 30MHz
- Off-isolation: -90dB at 50KHz, -60dB at 5MHz, -55dB at 30MHz
- Single 5V supply
- Bidirectional signal flow
- TTL-compatible control inputs
- Ultra-low quiescent current:  $3\mu A$
- Switch turn on time of 6.5ns
- Available in QSOP package

## APPLICATIONS:

- High-speed video signal switching/routing
- HDTV-quality video signal routing
- Audio signal switching/routing
- Data acquisition
- ATE systems
- Telecomm routing
- Token Ring transceivers
- High-speed networking

## DESCRIPTION:

The QS4A105 is a high-performance CMOS two-channel 4PST switch with 3-state outputs. The low ON resistance of the QS4A105 allows inputs to be connected to outputs with low insertion loss and high bandwidth.

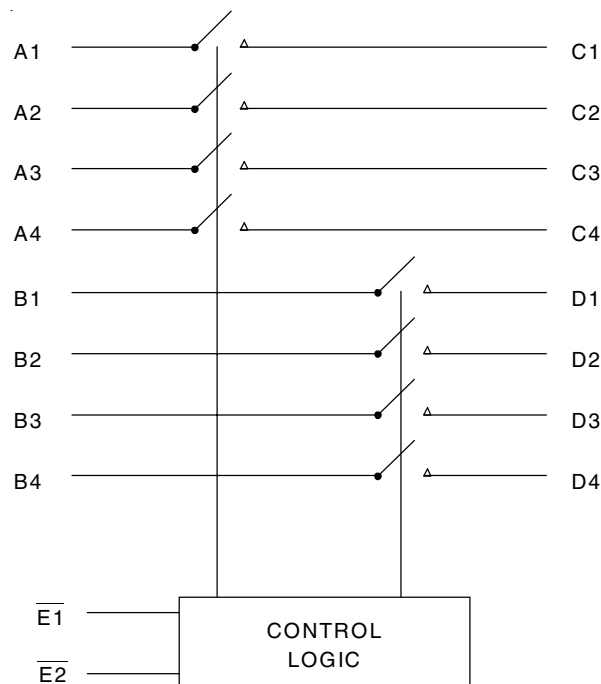
The QS4A105, with 1.3GHz bandwidth, is ideal for high-performance video signal switching, audio signal switching, and telecomm routing applications. Low power dissipation makes this device ideal for battery operated and remote instrumentation applications.

The QS4A105 is offered in the QSOP package which has several advantages over conventional packages such as PDIP and SOIC, including:

- Reduced signal delays due to denser component packaging on circuit boards
- Reduced system noise due to less pin inductance

The QS4A105 is characterized for operation at  $-40^{\circ}C$  to  $+85^{\circ}C$ .

## FUNCTIONAL BLOCK DIAGRAM

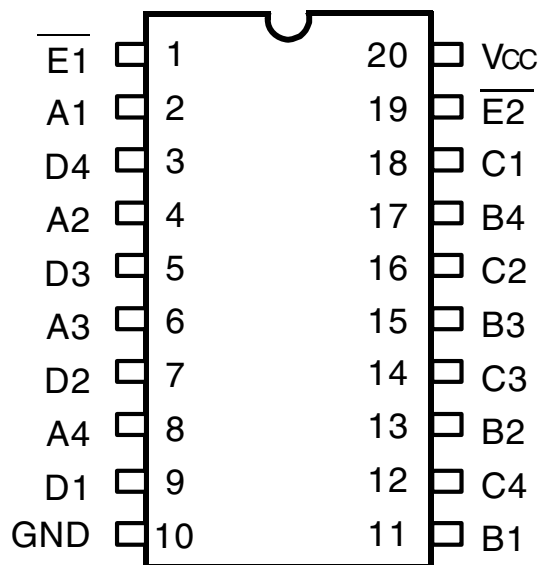


The IDT logo is a registered trademark of Integrated Device Technology, Inc.

**INDUSTRIAL TEMPERATURE RANGE**

**APRIL 2014**

## PIN CONFIGURATION



QSOP  
TOP VIEW

## ABSOLUTE MAXIMUM RATINGS(1)

Symbol	Description	Max	Unit
VTERM <sup>(2)</sup>	Supply Voltage to Ground	-0.5 to +7	V
VTERM <sup>(3)</sup>	DC Switch Voltage V <sub>s</sub>	0 to +7	V
—	Analog Input Voltage	0 to +7	V
VTERM <sup>(3)</sup>	DC Input Voltage V <sub>IN</sub>	0 to +7	V
V <sub>AC</sub>	AC Input Voltage (pulse width ≤20ns)	-3	V
I <sub>OUT</sub>	DC Output Current	120	mA
P <sub>MAX</sub>	Maximum Power Dissipation	0.7	W
T <sub>STG</sub>	Storage Temperature	-65 to +150	°C

### NOTES:

1. Stresses greater than those listed under ABSOLUTE MAXIMUM RATINGS may cause permanent damage to the device. This is a stress rating only and functional operation of the device at these or any other conditions above those indicated in the operational sections of this specification is not implied. Exposure to absolute maximum rating conditions for extended periods may affect reliability.
2. V<sub>cc</sub> terminals.
3. All terminals except V<sub>cc</sub>.

## PIN DESCRIPTION

Pin Names	I/O	Description
A <sub>x</sub> , B <sub>x</sub>	I/O	Ports A, B
C <sub>x</sub> , D <sub>x</sub>	I/O	Ports C, D
$\bar{E}_1$ - $\bar{E}_2$	I	Enable

## FUNCTION TABLE(1)

$\bar{E}_1$	$\bar{E}_2$	A <sub>x</sub> , C <sub>x</sub> I/Os	B <sub>x</sub> , D <sub>x</sub> I/Os
H	H	Disconnected	Disconnected
L	H	A <sub>x</sub> = C <sub>x</sub>	Disconnected
H	L	Disconnected	B <sub>x</sub> = D <sub>x</sub>
L	L	A <sub>x</sub> = C <sub>x</sub>	B <sub>x</sub> = D <sub>x</sub>

### NOTE:

1. H = HIGH Voltage Level  
L = LOW Voltage Level

## DC ELECTRICAL CHARACTERISTICS OVER OPERATING RANGE

Following Conditions Apply Unless Otherwise Specified:

Industrial:  $T_A = -40^{\circ}\text{C}$  to  $+85^{\circ}\text{C}$ ,  $V_{CC} = 5\text{V} \pm 5\%$

Symbol	Parameter	Test Conditions	Min.	Typ. <sup>(1)</sup>	Max.	Unit
<b>Analog Switch</b>						
$V_{IN}$	Analog Signal Range <sup>(2)</sup>		0	—	$V_{CC} - 1$	V
$r_{DS(ON)}$	Drain-source ON resistance <sup>(2,3)</sup>	$V_{CC} = \text{Min.}, V_{IN} = 0\text{V}, I_{ON} = 30\text{mA}$	—	5	7	$\Omega$
		$V_{CC} = \text{Min.}, V_{IN} = 2.4\text{V}, I_{ON} = 15\text{mA}$	—	13	17	
$I_{C(OFF)}$	Channel Off Leakage Current	$A_x, B_x = V_{CC}$ or $0\text{V}, C_x, D_x = 0\text{V}$ or $V_{CC}, \bar{E} = V_{CC}$	—	1	—	nA
$I_{C(ON)}$	Channel On Leakage Current	$A_x = B_x = C_x = D_x = 0\text{V}$ (each channel is turned on sequentially)	—	1	—	nA
<b>Digital Control</b>						
$V_{IH}$	Input HIGH Voltage	Guaranteed Logic HIGH for Control Pins	2	—	—	V
$V_{IL}$	Input LOW Voltage	Guaranteed Logic LOW for Control Pins	—	—	0.8	V
<b>Dynamic Characteristics</b>						
$t_{ON(\bar{E})}$	Enable Turn-On Time $\bar{E}$ to $A_x, B_x, C_x,$ or $D_x$	$R_L = 1\text{K}\Omega, C_L = 100\text{pF}$ (See Switching Time)	0.5	—	6.5	ns
$t_{OFF(\bar{E})}$	Enable Turn-Off Time $\bar{E}$ to $A_x, B_x, C_x,$ or $D_x$	$R_L = 1\text{K}\Omega, C_L = 100\text{pF}$ (See Switching Time)	0.5	—	6	ns
$t_{PD}$	Group Delay <sup>(2,4a)</sup>	$R_L = 1\text{K}\Omega, C_L = 100\text{pF}$	—	—	250	ps
$f_{3dB}$	-3dB Bandwidth	$V_{IN} = 0$ to $1\text{V}, 1\text{Vp-p}, R_L = 75\Omega$	—	1.3	—	GHz
	Off-isolation	$V_{IN} = 0$ to $1\text{V}, 1\text{Vp-p}, R_L = 75\Omega, f = 5.5\text{MHz}$	—	-60	—	dB
XTALK	Crosstalk	$V_{IN} = 1\text{Vp-p}, R_L = 75\Omega, f = 5.5\text{MHz}$	—	-70	—	dB
$C_{(OFF)}$	Mux Off Capacitance	$\bar{E} = V_{CC}, V_{IN} = V_{OUT} = 0\text{V}$	—	5	—	pF
$C_{(ON)}$	Mux On Capacitance	$\bar{E} = 0\text{V}, V_{IN} = V_{OUT} = 0\text{V}$	—	10	—	pF
QCI	Charge Injection	$C_L = 1000\text{pF}$	—	1.5	—	pC

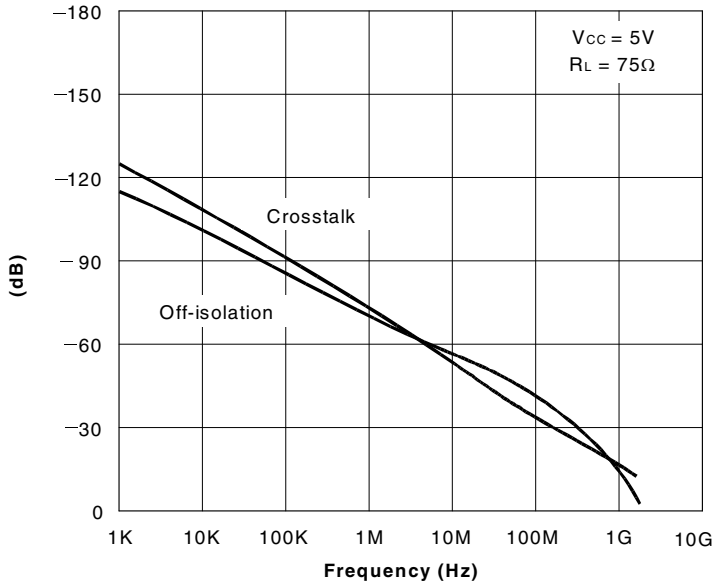
### NOTES:

1. Typical values are at  $V_{CC} = 5.0\text{V}, T_A = 25^{\circ}\text{C}$ .
2. Max value is guaranteed but not production tested.
3. Measured by voltage drop between A and C pins or B and D pins at indicated current through the switch. ON resistance is determined by the lower of the voltages on the two (A, C, or B, D) pins.
4. The bus switch contributes no group delay other than the RC delay of the ON resistance of the switch and load capacitance. Group delay of the bus switch, when used in a system, is determined by the driving circuit on the driving side of the switch and its interaction with the load on the driven side.

## POWER SUPPLY CHARACTERISTICS

Symbol	Parameter	Test Conditions	Max.	Unit
$I_{CC}$	Supply Current	$V_{CC} = \text{Max.}, V_{IN} = \text{GND}$ or $V_{CC}$	3	$\mu\text{A}$

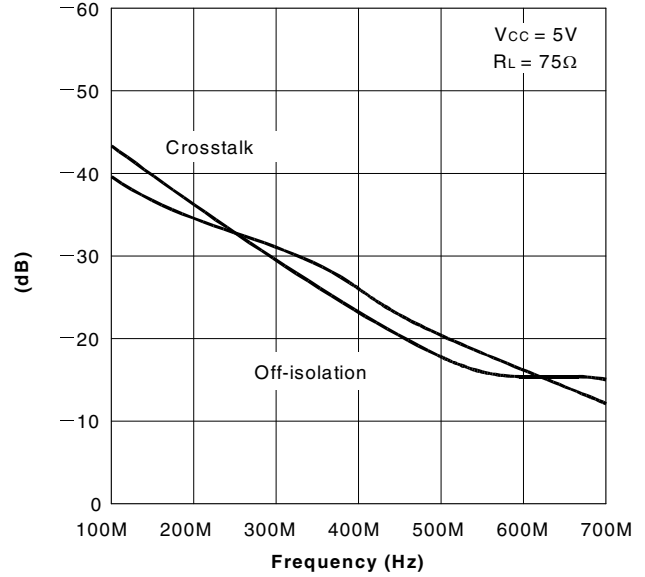
## TYPICAL CHARACTERISTICS



Off-isolation and Crosstalk vs. Frequency

**NOTES:**

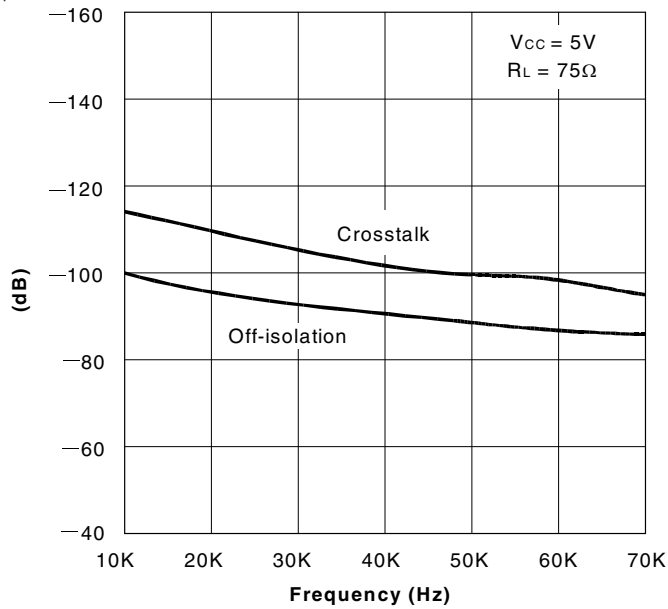
1. Crosstalk =  $20 \log |V_o/V_s|$
2. Off-isolation =  $20 \log |V_o/V_s|$



Off-isolation and Crosstalk vs. Frequency

**NOTES:**

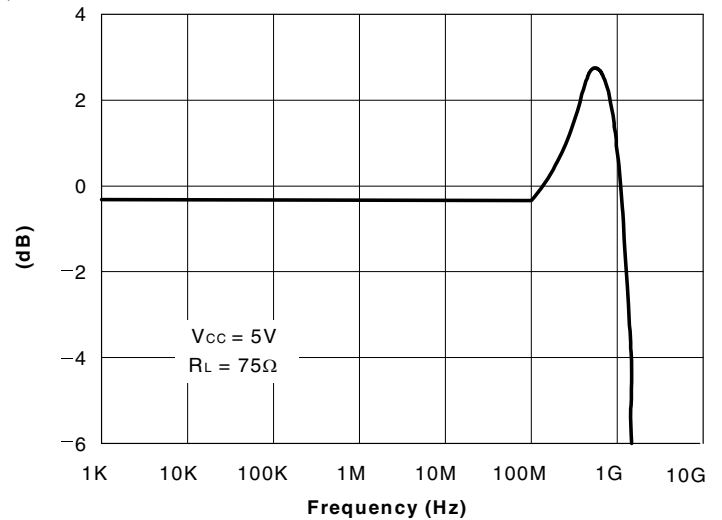
1. Crosstalk =  $20 \log |V_o/V_s|$
2. Off-isolation =  $20 \log |V_o/V_s|$



Off-isolation and Crosstalk vs. Frequency

**NOTES:**

1. Crosstalk =  $20 \log |V_o/V_s|$
2. Off-isolation =  $20 \log |V_o/V_s|$

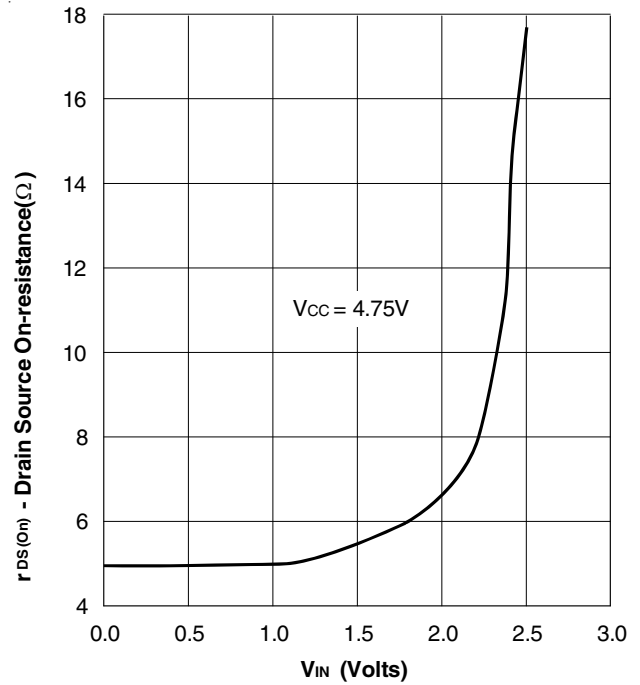
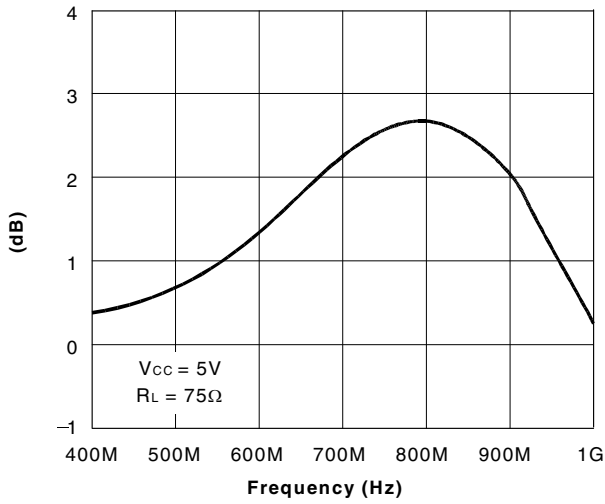


Insertion Loss vs. Frequency

**NOTE:**

1. Insertion Loss =  $20 \log |V_o/V_s|$

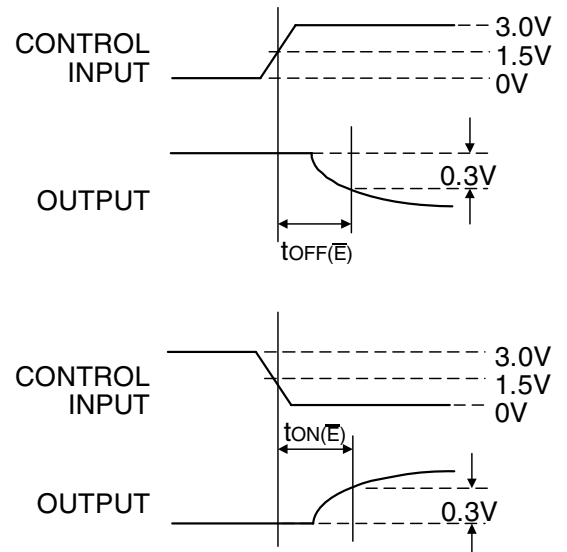
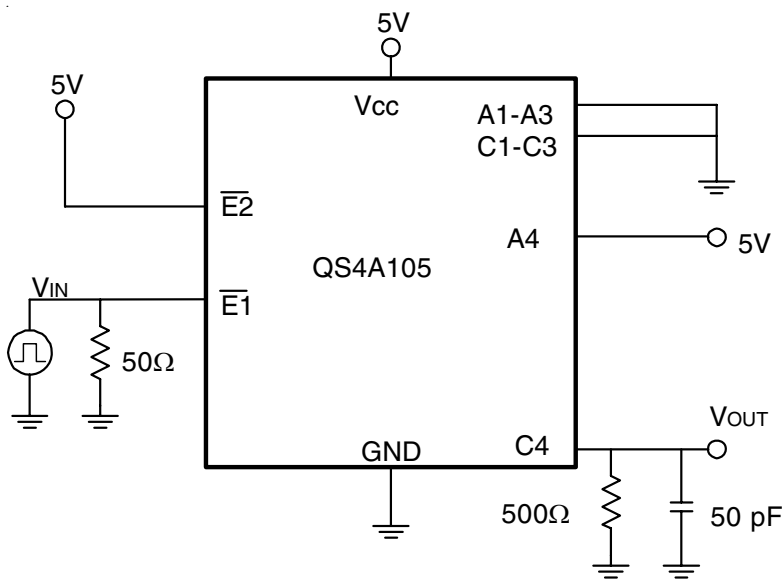
### TYPICAL CHARACTERISTICS (CONTINUED)



NOTE:  
1. Insertion Loss =  $20 \log |V_o/V_s|$

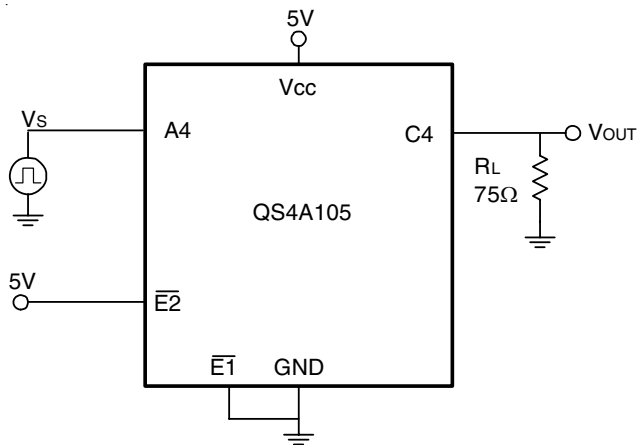
RON LINK

### TEST CIRCUITS



Switching Time

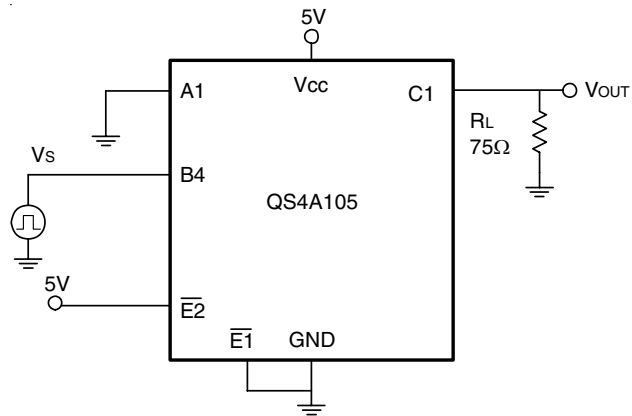
### TEST CIRCUITS (CONTINUED)



**Insertion Loss**

**NOTES:**

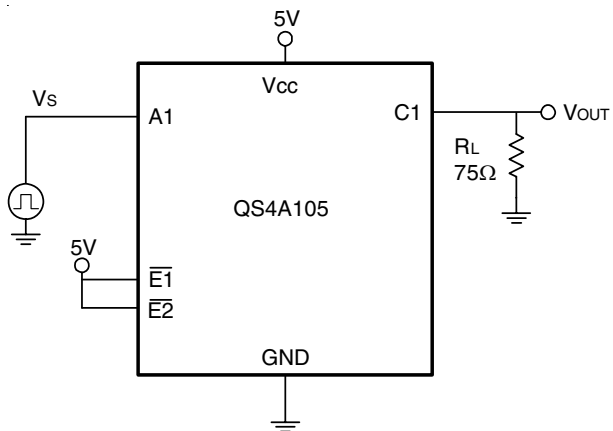
1. Insertion Loss =  $20 \log |V_o/V_s|$
2. All unused pins are grounded.



**Crosstalk**

**NOTES:**

1. Crosstalk =  $20 \log |V_o/V_s|$
2. All unused pins are grounded.

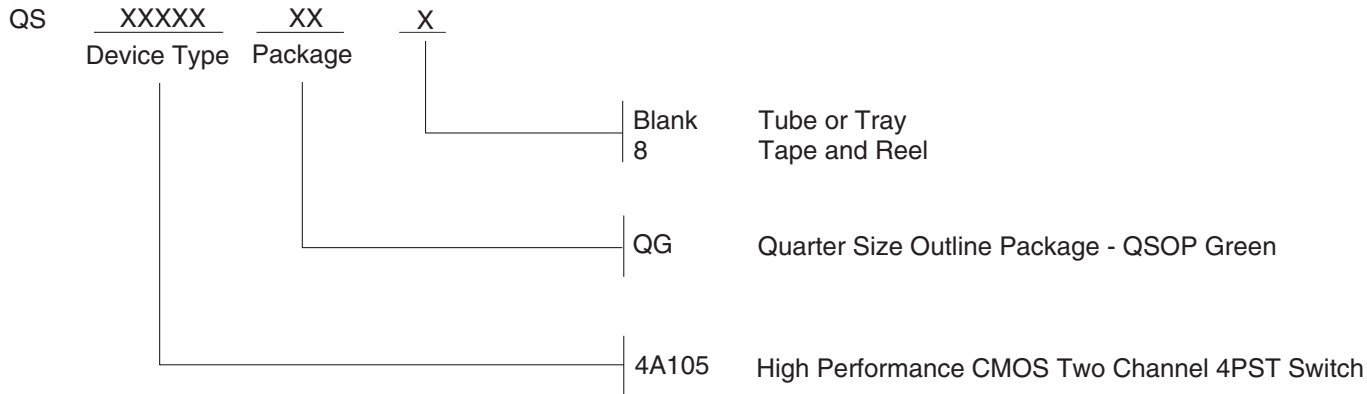


**Off-Isolation**

**NOTE:**

1. Off-isolation =  $20 \log |V_o/V_s|$

## ORDERING INFORMATION



## DATASHEET DOCUMENT HISTORY

04/13/2014    Pg. 7    Updated the Ordering Information by removing non green package version and Adding Tape and Reel information.



**CORPORATE HEADQUARTERS**  
6024 Silver Creek Valley Road  
San Jose, CA 95138

**for SALES:**  
800-345-7015 or 408-284-8200  
fax: 408-284-2775  
www.idt.com

**for Tech Support:**  
logichelp@idt.com

# Mouser Electronics

Authorized Distributor

Click to View Pricing, Inventory, Delivery & Lifecycle Information:

[IDT \(Integrated Device Technology\):](#)

[QS4A105QG8](#) [QS4A105QG](#)