

## Description

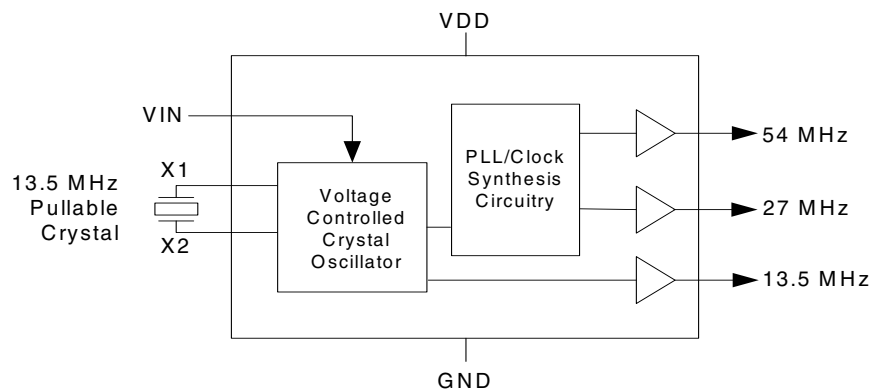
The MK3720D is a drop-in replacement for the MK3720S and MK3720A devices. Compared to these earlier devices the MK3720D offers a wider operating frequency range and improved power supply noise rejection.

The MK3720 is a low-cost, low-jitter, high-performance 3.3 Volt VCXO designed to replace expensive 13.5, 27, or 54 MHz VCXOs. The patented on-chip Voltage Controlled Crystal Oscillator accepts a 0 to 3.3 V input voltage to cause the output clocks to vary by  $\pm 100$  ppm. Using ICS' patented VCXO and analog/digital Phase-Locked Loop (PLL) techniques, the device uses an inexpensive external pullable crystal input to produce output clocks of 13.5 MHz, 27 MHz, and 54 MHz.

The MK3720D exhibits a moderate VCXO gain of 120 ppm/V typical, when used with a high-quality external pullable quartz crystal.

The frequency of the on-chip VCXO is adjusted by an external control voltage input into pin VIN. Because VIN is a high impedance input, it can be driven directly from an PWM RC integrator circuit.

## Block Diagram

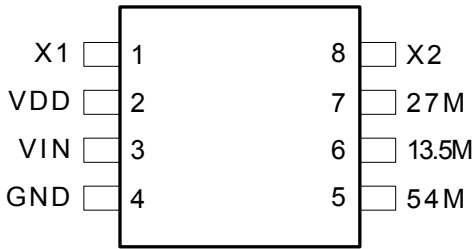


## Features

- MK3720D is a drop-in upgrade to the earlier MK3720S and MK3720A devices
- Packaged in 8-pin SOIC
- Available in Pb (lead) free package
- Operating voltage of 3.3 V ( $\pm 5\%$ )
- Output clocks of 54, 27, and 13.5 MHz
- Uses an inexpensive 13.500 MHz external crystal
- On-chip VCXO (patented) with pull range of 200 ppm (minimum)
- VCXO tuning voltage of 0 to 3.3 V
- 12 mA output drive capability at TTL levels
- Advanced, low-power, sub-micron CMOS process

## MK3720D is Recommended for New Designs

## Pin Assignment



8-Pin (150 mil) SOIC

## Pin Descriptions

Pin Number	Pin Name	Pin Type	Pin Description
1	X1	Input	Crystal connection. Connect to the external pullable crystal.
2	VDD	Power	Connect to +3.3 V (0.01uf decoupling capacitor recommended).
3	VIN	Input	Voltage input to VCXO. Zero to 3.3 V analog input which controls the oscillation frequency of the VCXO.
4	GND	Power	Connect to ground.
5	54M	Output	54 MHz VCXO clock output.
6	13.5	Output	13.5 MHz VCXO clock output.
7	27	Output	27 MHz VCXO clock output.
8	X2	Input	Crystal connection. Connect to the external pullable crystal.

## External Component Selection

The MK3720 requires a minimum number of external components for proper operation.

### Decoupling Capacitor

A decoupling capacitor of 0.01 $\mu$ F must be connected between VDD (pin 2) and GND (pin 4), as close to these pins as possible. For optimum device performance, the decoupling capacitor should be mounted on the component side of the PCB. Avoid the use of vias in the decoupling circuit.

### Series Termination Resistor

When the PCB trace between the clock output (CLK, pin 5) and the load is over 1 inch, series termination should be used. To series terminate a 50 $\Omega$  trace (a commonly used trace impedance) place a 33 $\Omega$  resistor in series with the clock line, as close to the clock output pin as possible. The nominal impedance of the clock output is 20 $\Omega$ .

## Quartz Crystal

The MK3720 VCXO function consists of the external crystal and the integrated VCXO oscillator circuit. To assure the best system performance (frequency pull range) and reliability, a crystal device with the recommended parameters (shown below) must be used, and the layout guidelines discussed in the following section shown must be followed.

The frequency of oscillation of a quartz crystal is determined by its “cut” and by the load capacitors connected to it. The MK3720 incorporates on-chip variable load capacitors that “pull” (change) the frequency of the crystal. The crystal specified for use with the MK3720 is designed to have zero frequency error when the total of on-chip + stray capacitance is 14 pF.

### Recommended Crystal Parameters:

See application note MAN05 for crystal information. MAN05 is available on the internet at [www.icst.com/pdf/man05.pdf](http://www.icst.com/pdf/man05.pdf).

The external crystal must be connected as close to the chip as possible and should be on the same side of the PCB as the MK3720. There should be no via's between the crystal pins and the X1 and X2 device pins. There should be no signal traces underneath or close to the crystal.

## Crystal Tuning Load Capacitors

The crystal traces should include pads for small fixed capacitors, one between X1 and ground, and another between X2 and ground. Stuffing of these capacitors on the PCB is optional. The need for these capacitors is determined at system prototype evaluation, and is influenced by the particular crystal used (manufacture and frequency) and by PCB layout. The typical required capacitor value is 1 to 4 pF.

The procedure for determining the value of these capacitors can be found in application note MAN05.

## Absolute Maximum Ratings

Stresses above the ratings listed below can cause permanent damage to the MK3720. These ratings, which are standard values for ICS commercially rated parts, are stress ratings only. Functional operation of the device at these or any other conditions above those indicated in the operational sections of the specifications is not implied. Exposure to absolute maximum rating conditions for extended periods can affect product reliability. Electrical parameters are guaranteed only over the recommended operating temperature range.

Item	Rating
Supply Voltage, VDD	7 V
All Inputs and Outputs	-0.5 V to VDD+0.5 V
Ambient Operating Temperature	0 to +70°C
Storage Temperature	-65 to +150°C
Soldering Temperature	260°C

## Recommended Operation Conditions

Parameter	Min.	Typ.	Max.	Units
Ambient Operating Temperature	0		+70	°C
Power Supply Voltage (measured in respect to GND)	+3.15		+3.45	V
Reference crystal parameters	Refer to page 3			

## Thermal Characteristics

Parameter	Symbol	Conditions	Min.	Typ.	Max.	Units
Thermal Resistance Junction to Ambient	$\theta_{JA}$	Still air		150		°C/W
	$\theta_{JA}$	1 m/s air flow		140		°C/W
	$\theta_{JA}$	3 m/s air flow		120		°C/W
Thermal Resistance Junction to Case	$\theta_{JC}$			40		°C/W

## DC Electrical Characteristics

VDD=3.3 V  $\pm$ 5% , Ambient temperature 0 to +70°C, unless stated otherwise

Parameter	Symbol	Conditions	Min.	Typ.	Max.	Units
Operating Voltage	VDD		3.15		3.45	V
Output High Voltage	V <sub>OH</sub>	I <sub>OH</sub> = -12 mA	2.4			V
Output Low Voltage	V <sub>OL</sub>	I <sub>OL</sub> = 12 mA			0.4	V
Output High Voltage (CMOS Level)	V <sub>OH</sub>	I <sub>OH</sub> = -4 mA	VDD-0.4			V
Operating Supply Current	IDD	No load		13		mA
Short Circuit Current	I <sub>OS</sub>			$\pm$ 50		mA
VIN, VCXO Control Voltage	V <sub>IA</sub>		0		3.3	V

## AC Electrical Characteristics

VDD = 3.3 V  $\pm$ 5%, Ambient Temperature 0 to +70° C, unless stated otherwise

Parameter	Symbol	Conditions	Min.	Typ.	Max.	Units
Crystal Pullability	F <sub>P</sub>	0V $\leq$ VIN $\leq$ 3.3V, Note 1	$\pm$ 115			ppm
VCXO Gain		VIN = VDD/2 $\pm$ 1 V, Note 1		120		ppm/V
Output Rise Time	t <sub>OR</sub>	0.8 to 2.0 V, C <sub>L</sub> =15 pF			1.5	ns
Output Fall Time	t <sub>OF</sub>	2.0 to 0.8 V, C <sub>L</sub> =15 pF			1.5	ns
Output Clock Duty Cycle	t <sub>D</sub>	Measured at 1.4 V, C <sub>L</sub> =15 pF	45	50	55	%
Maximum Output Jitter, short term	t <sub>J</sub>	C <sub>L</sub> =15 pF, 13.5M CLK		80		ps
		C <sub>L</sub> =15 pF, 27M and 54M CLK		150		ps

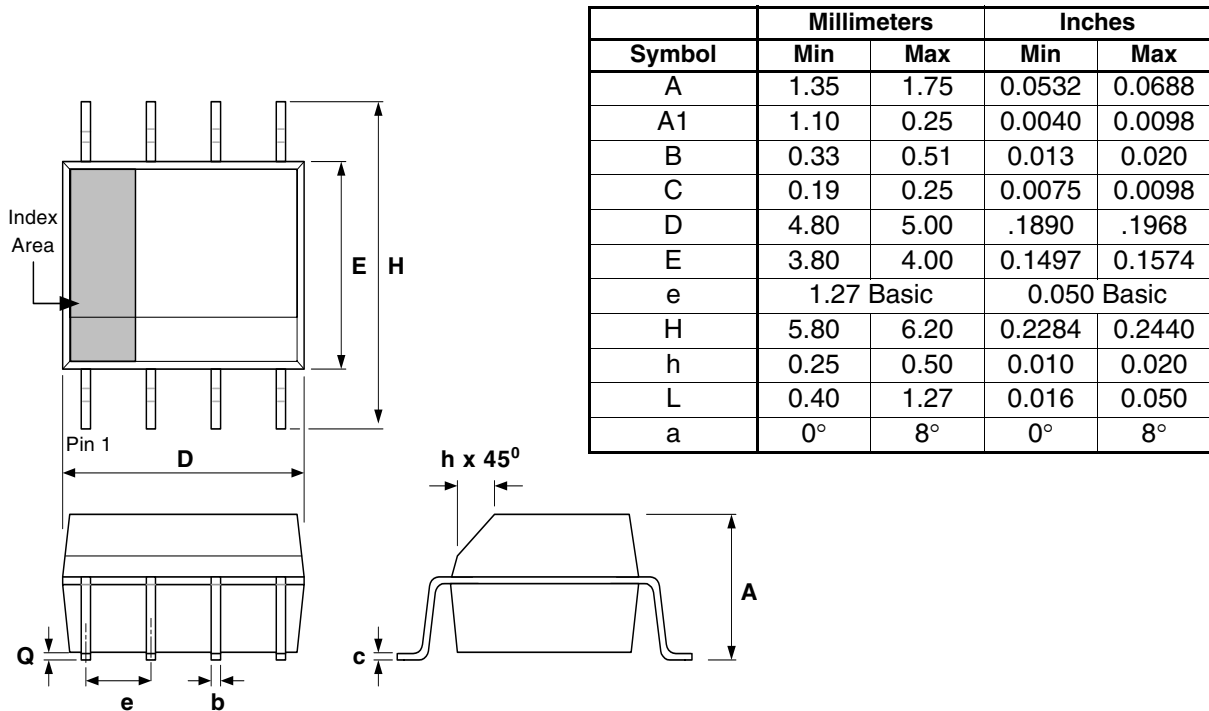
Note 1: External crystal device must conform with Pullable Crystal Specifications listed on page 3.

Note 2: Original MK3720S and MK3720A provided  $\pm$ 100 ppm crystal pullability.

Note 3: Original MK3720S and MK3720A provided 100 and 170 ppm/V respectively.

## Package Outline and Package Dimensions (8-pin SOIC, 150 Mil. Narrow Body)

Package dimensions are kept current with JEDEC Publication No. 95



## Ordering Information

Part / Order Number (Note 1)	Marking	Shipping Packaging	Package	Temperature
MK3720D	MK3720D	Tubes	8-pin SOIC	0 to +70° C
MK3720DTR	MK3720D	Tape and Reel	8-pin SOIC	0 to +70° C
MK3720DLF	MK3720DL	Tubes	8-pin SOIC	0 to +70° C
MK3720DLFTR	MK3720DL	Tape and Reel	8-pin SOIC	0 to +70° C

**Note 1: MK3720D is recommended for new designs. Call factory for information on MK3720A and MK3720S.**

**Parts that are ordered with a "LF" suffix to the part number are the Pb-Free configuration and are RoHS compliant.**

While the information presented herein has been checked for both accuracy and reliability, Integrated Circuit Systems (ICS) assumes no responsibility for either its use or for the infringement of any patents or other rights of third parties, which would result from its use. No other circuits, patents, or licenses are implied. This product is intended for use in normal commercial applications. Any other applications such as those requiring extended temperature range, high reliability, or other extraordinary environmental requirements are not recommended without additional processing by ICS. ICS reserves the right to change any circuitry or specifications without notice. ICS does not authorize or warrant any ICS product for use in life support devices or critical medical instruments.

# Mouser Electronics

Authorized Distributor

Click to View Pricing, Inventory, Delivery & Lifecycle Information:

[IDT \(Integrated Device Technology\):](#)

[MK3720DLFTR](#) [MK3720DLF](#)