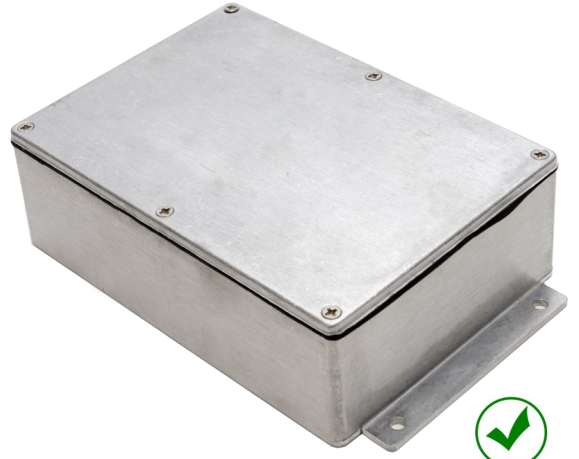


# IP68 EMI/RFI General Purpose Enclosures Technical Specification

Enhanced EMI/RFI protection is offered through the incorporation of a semi-conductive sealing mechanism which maintains conductivity between the lid and the enclosure, whilst preventing ingress of dust and water.

15 sizes are available, complete with silicone gasket, captive screws, earth screws and PCB guides on selected sizes. Nine sizes are also available with flanges for easy mounting.

Deltron Enclosures can customise any enclosure in our UK factory, including machining, painting, finishing, component sourcing and installation to meet your specification, save time and cut your costs. View our Services page on our website for more information.



**For more information:**

Phone: +44 (0)1724 273206

#### Features:

- Enhanced EMI/RFI Protection
- IP68 Rated
- Manufactured from ADC12
- Certified to BS EN 60529:1992
- Silicone Seal

#### Typical Applications:

- Marine
- Water Treatment
- Military
- Food Processing
- Aerospace

#### Available Dimensions:

89 x 35 x 31*	114 x 64 x 31*
114 x 89 x 56*	114 x 65 x 56*
172 x 121 x 56*	172 x 121 x 107*
222 x 146 x 56*	222 x 146 x 107
275 x 175 x 66	140 x 102 x 77*
165 x 127 x 77	120 x 100 x 36*
250 x 250 x 100	80 x 55 x 26
60 x 55 x 31	*= Available with Flanges

**Finishes:** Plain Aluminium, Powder or Nylon coat.

**Coating Colours:** Grey, Blue or Black.

**Spares:** Gaskets and Screws.

Or choose to have your enclosure customised for bespoke finishes and colours.

#### DEM Manufacturing

Deltron Emcon House,  
Hargreaves Way,  
Sawcliffe Industrial Park,  
Scunthorpe, DN15 8RF.

**DELTRON** Enclosures

Web: [www.dem-uk.com/deltron-enclosures](http://www.dem-uk.com/deltron-enclosures)

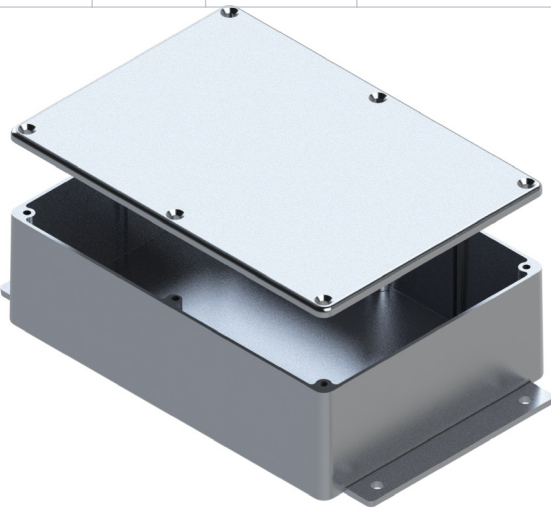
Tel: +44 (0) 1724 273206

Fax: +44 (0) 1724 280353

Email: [sales@dem-uk.com](mailto:sales@dem-uk.com)

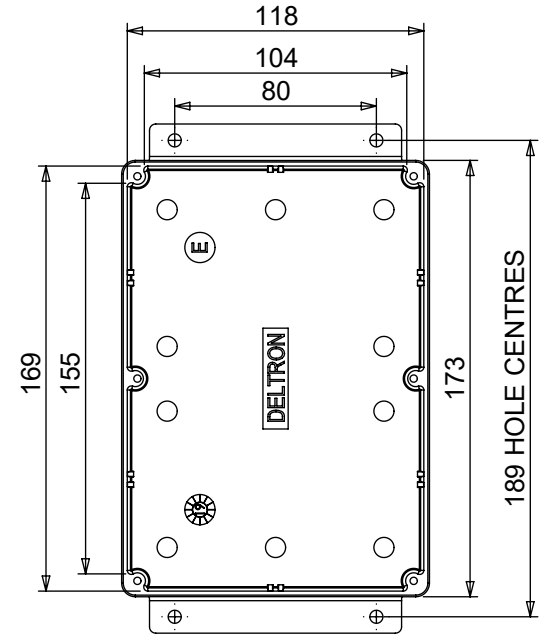
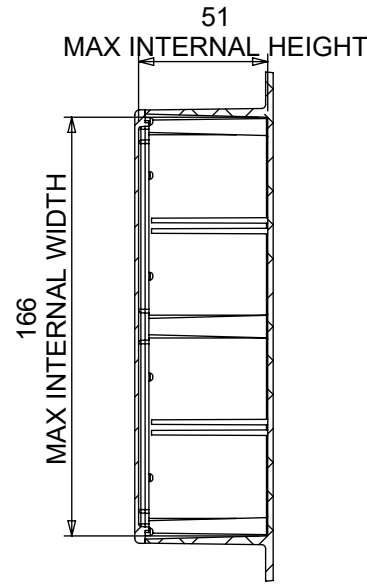
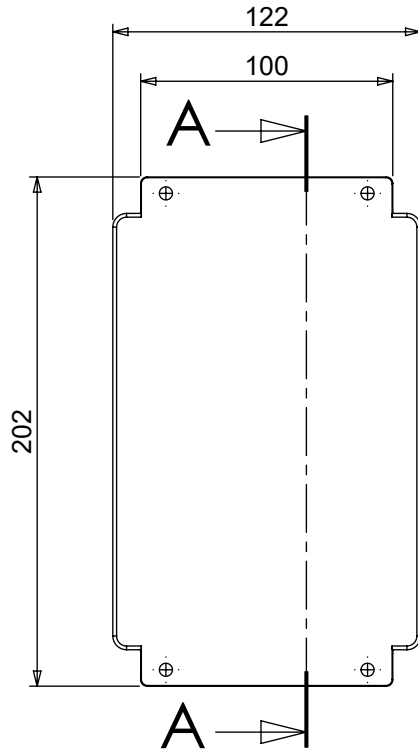
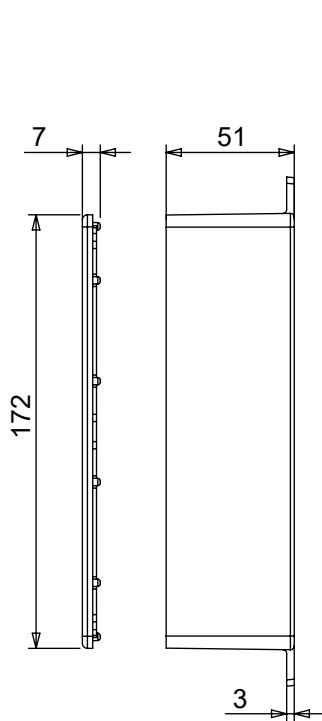
REV	1	DATE	ECN NUMBER	ECR COMMENT	3	4	5	6	7
003	06 Jun 2017	C03614	TORQUE SETTINGS ADDED						

FLG LENGTH	LENGTH	WIDTH	HEIGHT	SEAL	TORQUE SETTINGS	PLAIN	POWDER COAT	NYLON COAT
202	173	122	55	NONE	NONE	455-0050	457-0050*	458-0050*
				IP66	0.3Nm	456-0050	463-0050*	464-0050*
				IP68	0.7Nm	483-0050	484-0050*	485-0050*
				IP68 EMI/RFI	1.0Nm	483-C050	484-C050*	485-C050*
BOX DIMENSION IN MM				COLOUR OPTION - COLOUR SUFFIX * GREY=A / BLUE=B / BLACK = E				



**STANDARD DUTY ENCLOSURE**

- Material grade ADC12/LM2 Die Cast Alloy
- IP Rated available
- Min wall thickness 1.5mm
- Min lid thickness 1.5mm
- Fine textured powder coating and smooth nylon
- Screws stainless steel
- IP68 Tested to 5 metres for 1 hour
- Includes internal PCB guides
- Enclosures can be supplied fully factory customised to your specification



**DELTRON Components**  
**DELTRON Enclosures**  
**ROXBURGH EMC**

b'es **DEM**  
**Alpha3** manufacturing

+44(0)1724 273200  
www.dem-uk.com

**PROPRIETARY AND CONFIDENTIAL:**  
THE INFORMATION CONTAINED IN THIS DRAWING IS THE SOLE PROPERTY OF ALPHA 3 MANUFACTURING. ANY REPRODUCTION IN PART OR AS A WHOLE WITHOUT THE WRITTEN PERMISSION OF ALPHA 3 MANUFACTURING IS PROHIBITED.

DEM Manufacturing is a division of Alpha 3 Manufacturing LTD  
DEM Manufacturing, Deltron Emcon House, Hargreaves Way,  
Sawcliffe Ind. Park, Scunthorpe, North Lincolnshire, DN15 8RF, UK

UNLESS OTHERWISE SPECIFIED DIMENSIONS ARE IN MILLIMETRES  
LINEAR & RADIAL TOLERANCE:  
**NO DECIMAL PLACES**  
**1 DECIMAL PLACE**  
**2 DECIMAL PLACES**  
**ANGULAR TOLERANCE:**

**IF IN DOUBT ASK! DO NOT SCALE DRAWING!**

FINISH: SEE NOTES  
MATERIAL: ALUMINIUM ALLOY

THE FINISHED PRODUCT SHOULD BE CLEAN AND FREE FROM ALL LIQUIDS AND DEBRIS. SURFACES SHOULD BE OF UNIFORM APPEARANCE FREE FROM SHARP EDGES, BURRS AND CORROSION

AUTHOR: Alex Yau  
EDITOR: DT  
APPROVER: DT

THIRD ANGLE PROJECTION

TITLE: FLANGED ENCLOSURE  
FILE: E FLG ENCLOSURE  
PART: BOX & LID ASSEMBLY

SHEET 1 OF 1  
SCALE 1:3 A4

ISSUE/REV: 003  
RELEASED

VERSION: 10  
EDIT DATE: 06 Jun 2017

# Mouser Electronics

Authorized Distributor

Click to View Pricing, Inventory, Delivery & Lifecycle Information:

[Deltron:](#)

[483-C050](#)