

MLC-AL/MLC-KL

Medical Grade All-in-One Panel Computer with 13.3"/15.6" Full HD Display

Features

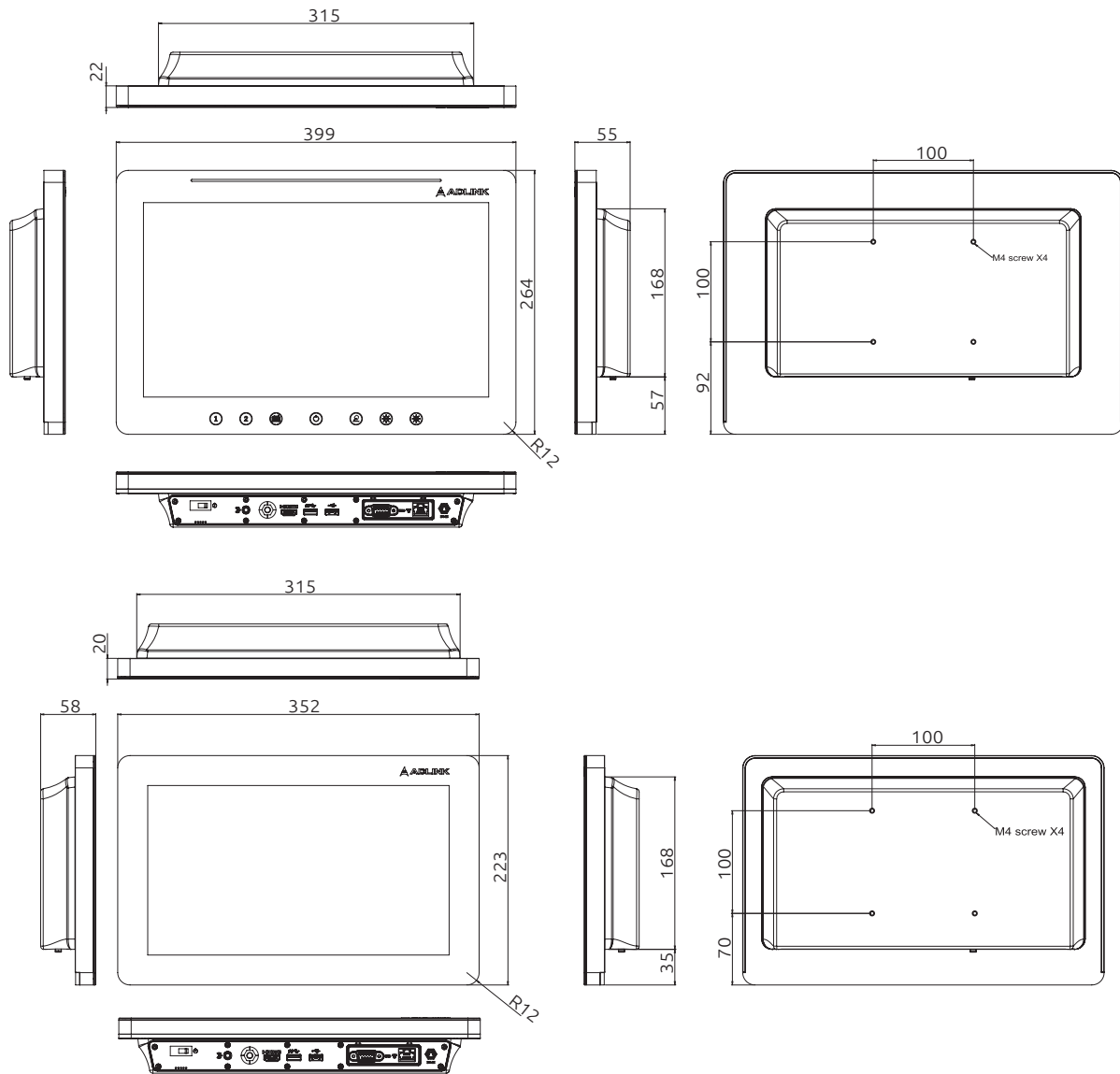
- Medically certified panel computer
- 13.3" or 15.6" Full HD display with PCAP multi-touch touchscreen and anti-glare coated safety glass for unsurpassed visualization capabilities
- Edge-to-edge glass surface and patent-pending, screwless design allows for easy and faster cleaning and disinfection procedures
- Fully sealed aluminium housing and fanless design for high hygienic standards with water/dust proof front cover and 360 degrees anti-bacterial treatment
- Dust- and liquid-proof front unit
- Galvanically isolated network and serial port isolation for installations in mixed environments



System	
CPU	Intel® Atom® x5-E3930 processor Intel® Core™ i3-7100U 2.4 GHz
RAM	4GB DDR3L
Storage	M.2 64GB SSD
Interfaces	
I/O	1x USB 2.0, type A, OCP, 1000 mA 1x USB 3.0, type A, OCP, 1600 mA
	1x HDMI
	1x GbE, RJ-45, 4kV isolated, supports WOL
	1x RS-232/422/485, 4kV isolated
Optional User Interface (only for 15.6")	1x Speaker 1x Mic-in
	7 Illuminated keys on the front glass the following functions: -Standby ON/OFF -Touch cleaning enable/disable -Panel brightness increase -Panel brightness decrease -Display keyboard ON/OFF -2 x customizable function keys
Optional Indicator (only for 15.6")	LED status bar

Electrical	
Power	9~36V DC (external medical grade PSU)
Display & Touch	
LCD	13.3" /15.6" Full HD 1920x1080
Luminance	360 cd/m ² / 270 cd/m ²
View Angle(V/H)	178°/178°
TouchScreen	Multi-point PCAP
Mechanical	
Dimensions (WxHxD)	MLC-133: 352x224x57 mm MLC-156: 399x263x71 mm
Weight	MLC-133: 3.2 kg MLC-156: 4.3 kg
Housing	Aluminum powder-coated, anti-bacterial
Mounting	VESA 100x100
Environmental	
Operating	0°C to 35°C 5~90% RH, non-condensing
Storage	-20°C to 60°C 5~90% RH, non-condensing
Certificates	
	IEC 60601-1:2012 & EN 60601-1:2013 (Safety ed. 3.1) IEC 60601-1-2:2014 & EN 60601-1-2:2015 (EMC 4th ed.)

Dimensions



Ordering Information

MLC-133-AL	13.3" Full HD Display with multitouch, Intel Atom® x5-E3930, 4GB RAM, 64GB SSD
MLC-133-KL	13.3" Full HD Display with multitouch, Intel® Core™ i3-dual core, 4GB RAM, 64GB SSD
MLC-156-AL	15.6" Full HD Display with multitouch, Intel Atom® x5-E3930, 4GB RAM, 64GB SSD
MLC-156-KL	15.6" Full HD Display with multitouch, Intel® Core™ i3-dual core, 4GB RAM, 64GB SSD

Options

DDR3L-8	8GB RAM
SSD-128	M.2 SATA SSD 128GB
SSD-256	M.2 SATA SSD 256GB
Medical grade power adapter	Medical grade power adapter, 65W AC input: 100-240V, 47-63Hz
Operating System	Windows® 10 IoT Enterprise x64 bit
User Interface (only for 15.6")	Illuminated Front Touch Buttons
Indicator (only for 15.6")	LED status bar

Mouser Electronics

Authorized Distributor

Click to View Pricing, Inventory, Delivery & Lifecycle Information:

[ADLINK Technology:](#)

[MLC-156-KL-LB](#) [MLC-156-KL-8128](#) [MLC-133-KL](#) [MLC-133-AL-w/o OS](#) [MLC-133-AL](#) [MLC-156-AL](#) [MLC-133-KL-
WO OS](#) [MLC-156-KL](#) [MLC-156-KL-WO OS](#) [MLC-156-AL-WOOS](#)