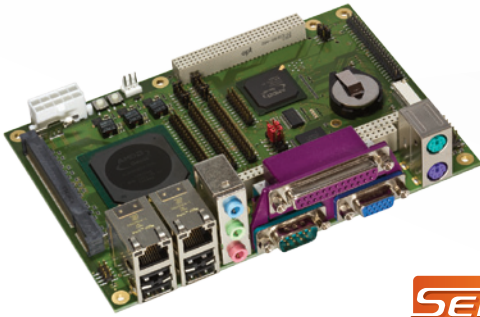


# Hurricane-LX800

EPIC Single Board Computer with  
AMD® Geode™ LX800 Processor



## Features

- AMD® Geode™ LX800 Processor, 500 MHz, 256 MB soldered DDR SDRAM
- Graphics up to 1920 x 1440 pixels - VGA, TFT, LVDS, with backlight
- 10/100 Ethernet, 4x USB 2.0
- 2x RS-232/422/485
- 2 GB Solid State Disk, IDE Ultra ATA100
- Extended temperature range: -40 °C to +85 °C

## Specifications

### Core System

CPU	AMD® Geode™ LX800 @0.9W
BIOS	Insyde Technology, BIOS parameters also saved in FEPROM
Memory	1 GB DDR333-SODIMM
Watchdog Timer	Yes
Status LEDs	HDD, power, standby
ISA Bus	PC/104, with full DMA capability
PCI Bus	PC/104-Plus, Mini-PCI, 3.3 V compliant
Core Logic	I/O companion: CS5536 Super I/O: ITE8712
LPC Bus	Available

### Video

LVDS Interface	Single channel, 18 and 24-bits, 1600 x 1200 pixels at 60 Hz max.
TTL/TFT	Single channel, 18-bits, 1600 x 1200 pixels at 60 Hz max.
Graphics	Integrated in the Geode™ LX800. Up to 254 MB video memory.
VGA	VGA, 1920 x 1440 pixels at 85 Hz max.
Digital I/O	29 general purpose I/O signals
Analog I/O	8 channels, 8 bit, 0...4.096V
High Speed Input Port	Raw 16-bit input with 300 Mb/s isochronous capture Video: VESA 1.1, 2.0 and BT.656 compliant.

### Audio

Audio	AC'97, 6-channel (5.1) audio with 3.5 mm connector
-------	--

### I/O Interfaces

USB	4x USB 2.0 host ports
Serial Ports	2x RS-232/422/485, 1x RS485/IrDA
IDE (PATA)	1x Ultra ATA100 (ATA6) port
PS/2	Keyboard, mouse
LPT	Multi-Mode™ bi-directional Parallel
uDOC	10 pin header for USB 2.0 Flash Drives
Floppy	Up to 2.44 MB

### Ethernet

Speed	500 MHz
Ethernet	100/10 Mbit Micrel KSZ8842 dual port Ethernet switch

### Power

Power Consumption	5.25 W typical, 7 W maximum
RTC Backup	Battery onboard
Power Supply	10 pin mini-ATX power connector; all voltages are generated onboard

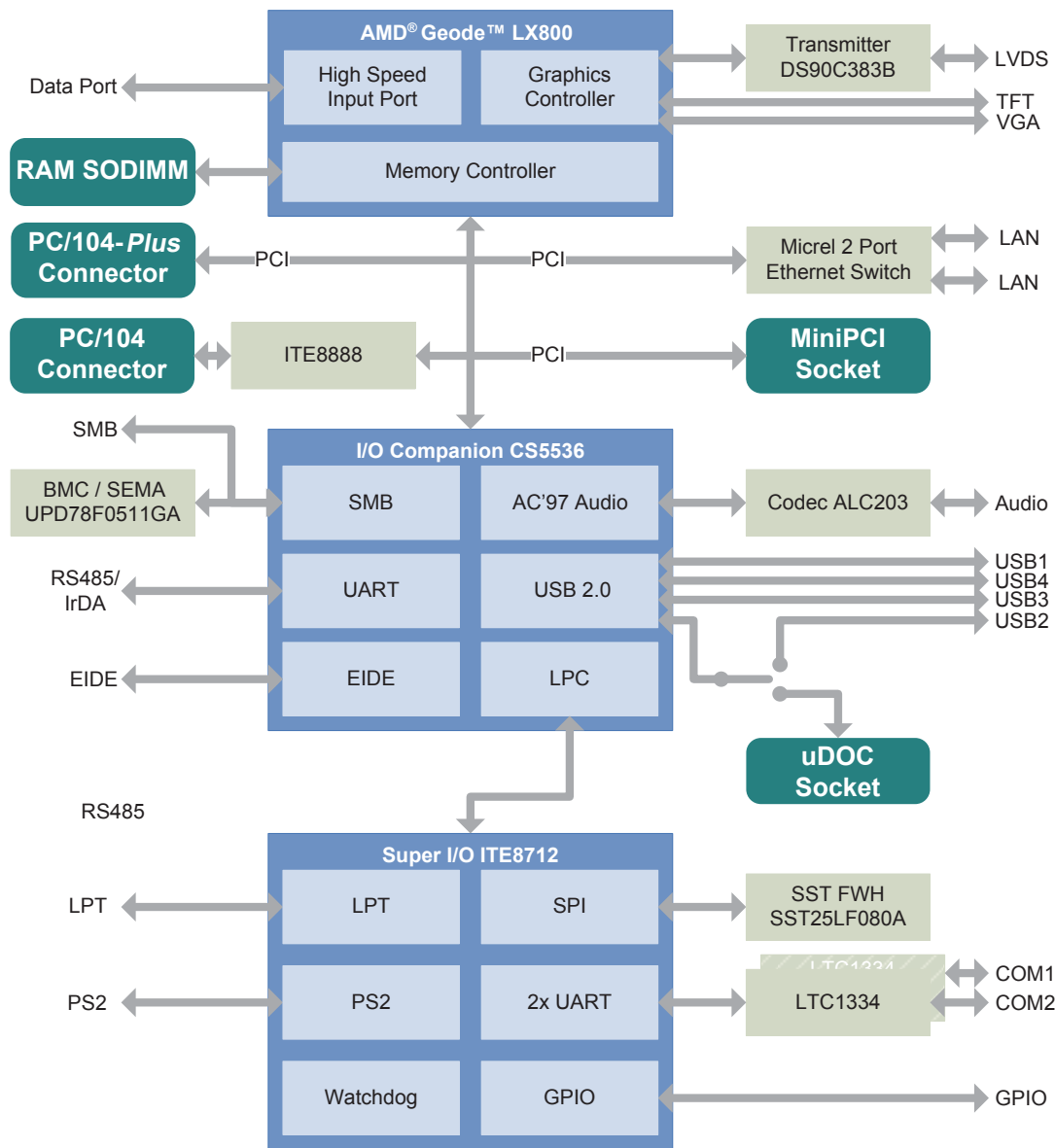
### Mechanical and Environmental

Operating Temperature	-20 °C to +60 °C -40 °C to +85 °C (optional)
Cooling	Passive
MTBF	248,283 hours at 25 °C

### Operating Systems

Standard Support	Windows XP, XP Embedded
Extended Support (BSP)	Windows CE, Linux, VxWorks

## Functional Diagram



## Ordering Information

### Modules

Model Number	Description/Configuration
t10-0001-20	Hurricane-LX800EPIC board with AMD® Geode LX800, 4x USB2.0 RTC, IDE, floppy disk, 2x COM LPT, PS/2 keyboard and mouse, watchdog, VGA, LCD, LVDS, 2x Fast Ethernet, 8 Bit I/O, AC'97 Sound.

# Mouser Electronics

Authorized Distributor

Click to View Pricing, Inventory, Delivery & Lifecycle Information:

[ADLINK Technology:](#)

[HUR-LX800-E-05](#) [HUR-LX800-R-05](#)