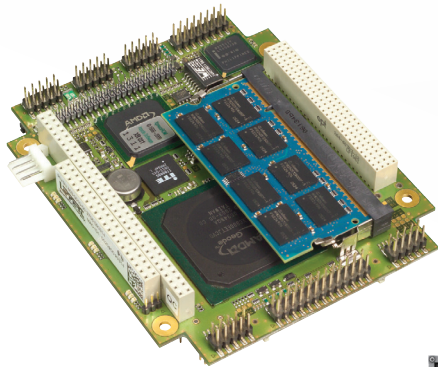


# Cool RoadRunner-LX800 PC/104-Plus Single Board Computer with AMD® Geode™ LX800



## Features

- AMD® Geode™ LX800 Processor, 500 MHz, 1 GB DDR333 RAM max.
- Graphics up to 1920 x 1440 pixels - VGA, TFT, LVDS, with backlight
- LAN, 4x USB 2.0
- 2x RS-232/422/485, 1x RS-485/IrDA
- IDE Ultra ATA100, CompactFlash™ socket
- Optional extended temperature range: -40 °C to 85 °C

## Specifications

### Core System

CPU	AMD® Geode™ LX800 @0.9W
BIOS	Insyde Technology, BIOS parameters are also saved in EPROM
Memory	1 GB DDR333-SODIMM
Watchdog Timer	Yes
Status LEDs	HDD, power, standby, power mode, live, 3x Ethernet, watchdog
ISA Bus	PC/104
PCI Bus	PC/104-Plus, 3.3V compliant. Peripherals need their own 3.3V supply.
Board Format	PC/104-Plus with wings, 96 mm x 115.6 mm (3.775" x 4.050")

### Video

LVDS Interface	Single channel, 18 and 24-bit, 1600 x 1200 pixels at 60 Hz max.
TTL/TFT	Single channel, 18-bit, 1600 x 1200 pixels at 60 Hz max.
Graphics	Integrated in Geode™ LX800, up to 254 MB video memory
VGA	VGA, 1920 x 1440 pixel at 85 Hz max.

### Audio

Audio	AC'97 2.1, 2 channels
-------	-----------------------

### I/O Interfaces

USB	4x USB 2.0 host ports
Serial Ports	2x RS-232/422/485, 1x RS-485/IrDA
GPIO	6 programmable signals, available on supervisory connector
IDE (PATA)	1x Ultra ATA100 (ATA6) port
PS/2	Keyboard, mouse
LPT	Multi-Mode™ bi-directional Parallel
Core Logic	I/O companion: CS5536 Super I/O: ITE8712
Compact Flash	Type 2 socket

### Ethernet

Speed	500 MHz
Ethernet	10/100 Mbit with Intel 82551IT

### Power

Power Consumption	~6.5 W, depending on RAM configuration and processor load
Performance	5 V ±5 %; all necessary voltages are generated onboard
RTC Backup	GoldCap
I²C bus	Yes

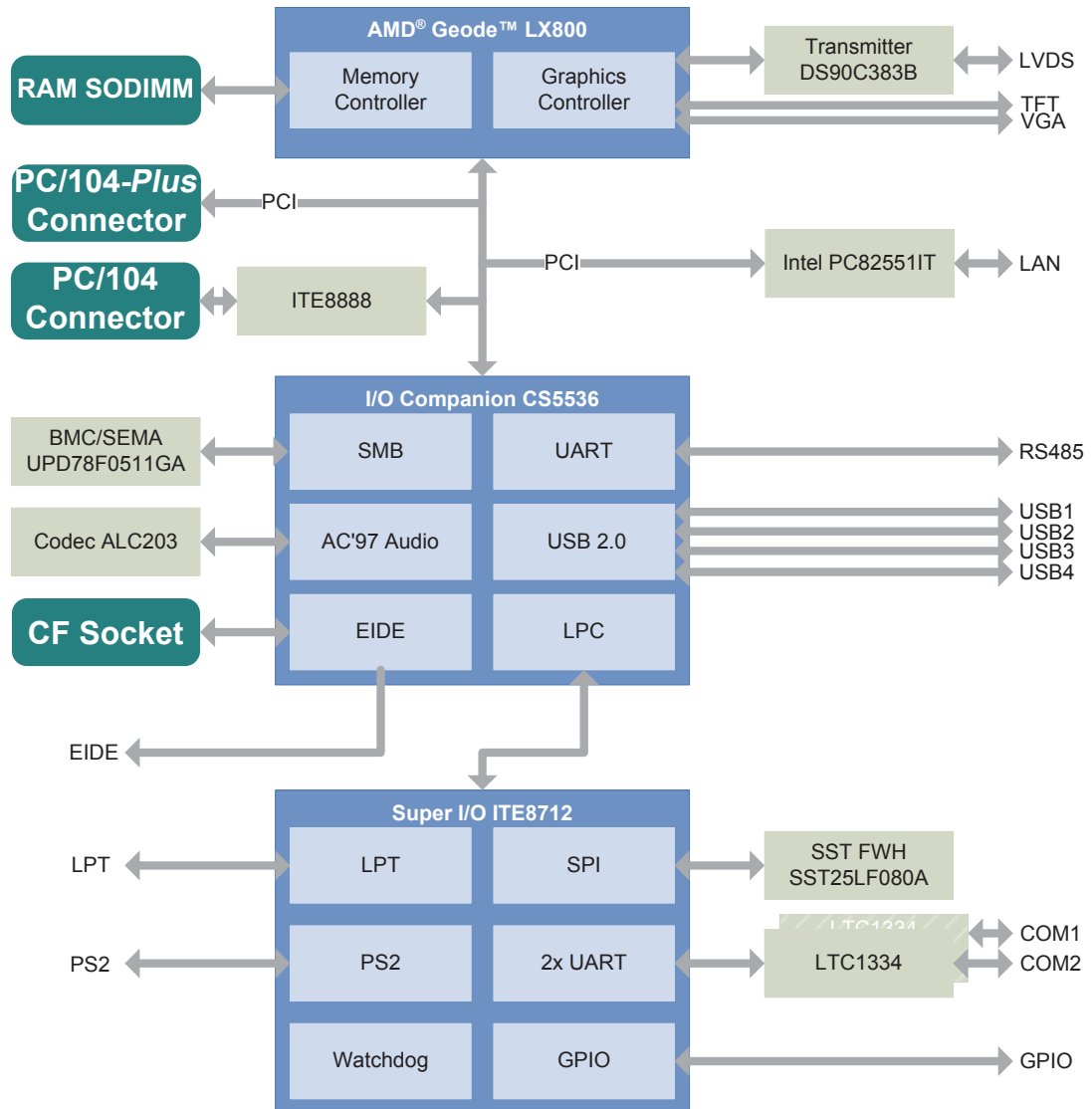
### Mechanical and Environmental

Operating Temperature	Standard: 0°C to +60°C (all versions)
	Industrial: -20°C to +60°C (all versions)
	Extended: -40°C to +85°C (optional)
MTBF	364,293 hours at 25 °C

### Operating Systems

Standard Support	Windows CE, Linux, VxWorks
Extended Support (BSP)	Windows CE, Linux, DOS

## Functional Diagram



## Ordering Information

### Modules

Model Number	Description/Configuration
t03-0010-20	PC/104-Plus, CRR-LX800 CPU board with AMD® Geode™-LX800 @0.9W

# Mouser Electronics

Authorized Distributor

Click to View Pricing, Inventory, Delivery & Lifecycle Information:

## [ADLINK Technology:](#)

[CRR-LX800-E-500](#) [CRR-LX800-R-500](#) [CRR-LX800-E-500/E512](#) [CRR-LX800-R-500/I1G](#) [CRR-LX800-R-500/I512](#)  
[CRR-LX800-E-500/1G](#)