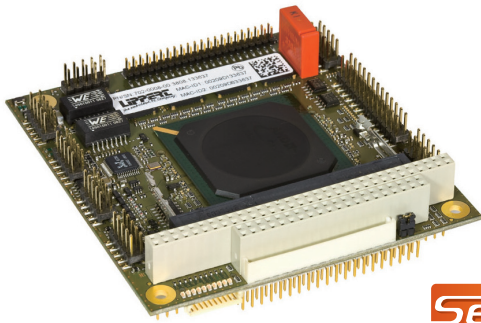


Cool LiteRunner-LX800

PC/104 Single Board Computer with
AMD® Geode™ LX800



Features

- AMD® Geode™ LX800 @0.9W, 500 MHz, 256 MB soldered DDR400 RAM
- Graphics up to 1920 x 1440 pixels - VGA, TFT, LVDS, with backlight
- 2x LAN, 4x USB 2.0
- 2x RS-232/422/485, 1x RS-485/IrDA
- IDE Ultra ATA100, CompactFlash socket
- Optional extended temperature range: -40 °C to 85 °C
- Supports Smart Embedded Management Agent (SEMA) functions

Specifications

Core System

CPU	AMD® Geode™ LX800 @0.9W
BIOS	Insyde Technology BIOS parameters are also saved in FEPRM
Memory	256 MB DDR400, soldered on board
Watchdog Timer	Yes
Status LEDs	HDD, power, standby, power mode, live, 4x Ethernet, watchdog
ISA Bus	PC/104
Board Format	PC/104, 96 mm x 90 mm (3.775" x 3.550")
I ² C bus	Yes

Video

LVDS Interface	Single channel, 18 and 24-bit, 1600 x 1200 pixels at 60 Hz max.
TTL/TFT	Single channel, 18-bit, 1600 x 1200 pixels at 60 Hz max.
Graphics	Integrated in the Geode™ LX800 Up to 254 MB video memory
VGA	VGA, 1920 x 1440 pixels at 85 Hz max.

Audio

Audio	AC'97 2.1, 2 channels
-------	-----------------------

I/O Interfaces

USB	4x USB 2.0 host ports
Serial Ports	2x RS-232/422/485 1x RS-485/IrDA with termination
GPIO	8 programmable signals
IDE (PATA)	1x Ultra ATA100 (ATA6) port
PS/2	Keyboard, mouse
LPT	Multi-Mode™ bi-directional Parallel
Compact Flash	Type 2 socket
Core Logic	I/O companion: CS5536

Super I/O

Super I/O	ITE8712
-----------	---------

Ethernet

Speed	500 MHz
Ethernet	2x 10/100 Mbit with Intel 82551IT

Power

Power Consumption	Max. 6.0 watts, typ. 5.0 watts
RTC Backup	Battery onboard
Power Supply	5 V ±5 %; all necessary voltages are generated onboard
PCI	Mini-PCI slot

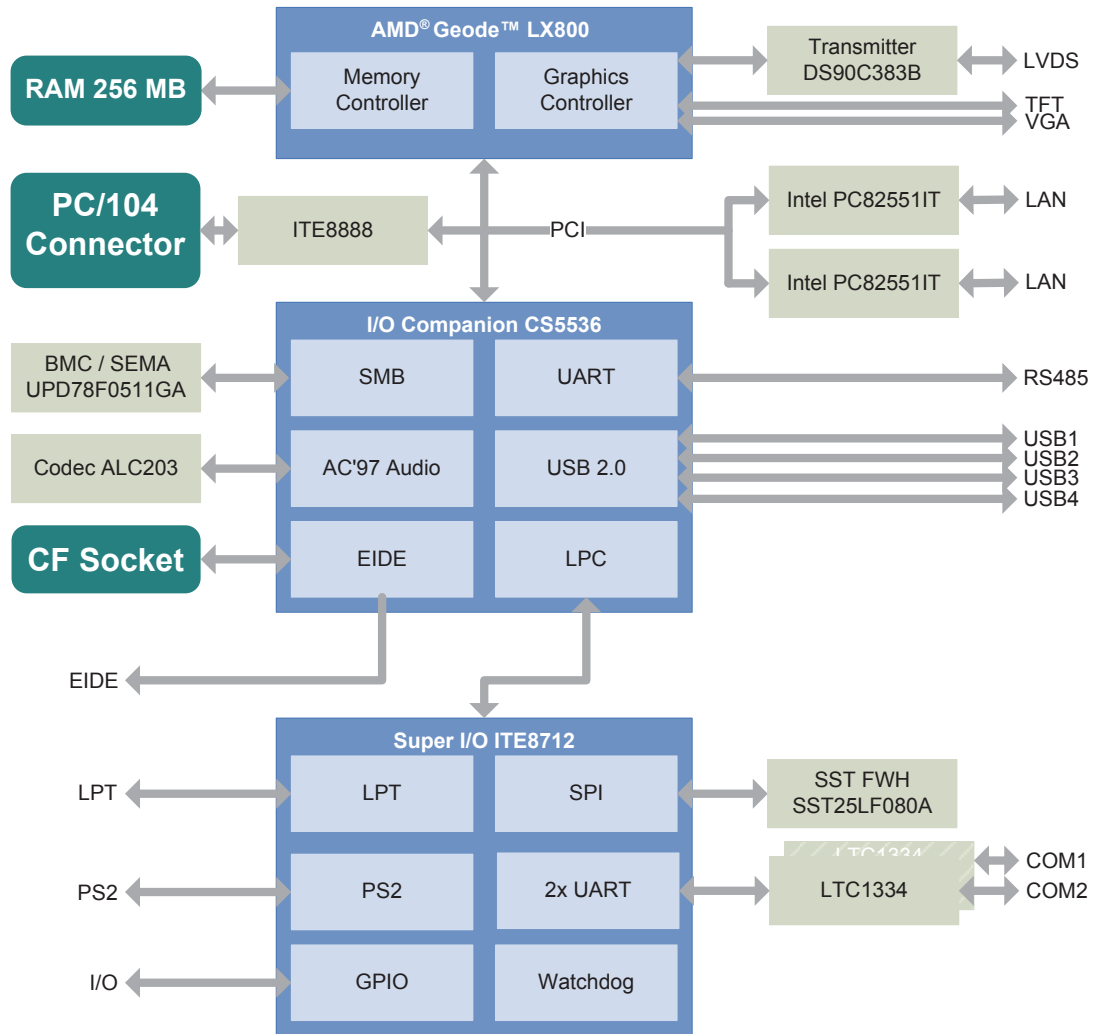
Mechanical and Environmental

Operating Temperature	Standard: 0°C to +60°C (all versions) Industrial: -20°C to +60°C (all versions) Extended: -40°C to +85°C (optional)
MTBF	308,342 hours at 25 °C

Operating Systems

Standard Support	Windows XP, XP Embedded
Extended Support (BSP)	Windows CE, Linux, VxWorks

Functional Diagram



Ordering Information

Modules

Model Number	Description/Configuration
t02-0008-20	PC/104, CLR-LX800 CPU board with AMD® Geode™-LX800 @0.9W

Mouser Electronics

Authorized Distributor

Click to View Pricing, Inventory, Delivery & Lifecycle Information:

[ADLINK Technology:](#)

[CLR-LX800-R-05](#) [CLR-LX800-C-05](#) [CLR-LX800-E-05](#)