

PART NUMBER 28GBPS

CN1745-076-0001



SPECIFICATIONS

Operating Temp. Range:	- 20° to 85° C
Durability:	100 cycles
Plug in Force:	50N max.
Pull-out Force:	50N
Test Standard:	EIA-364

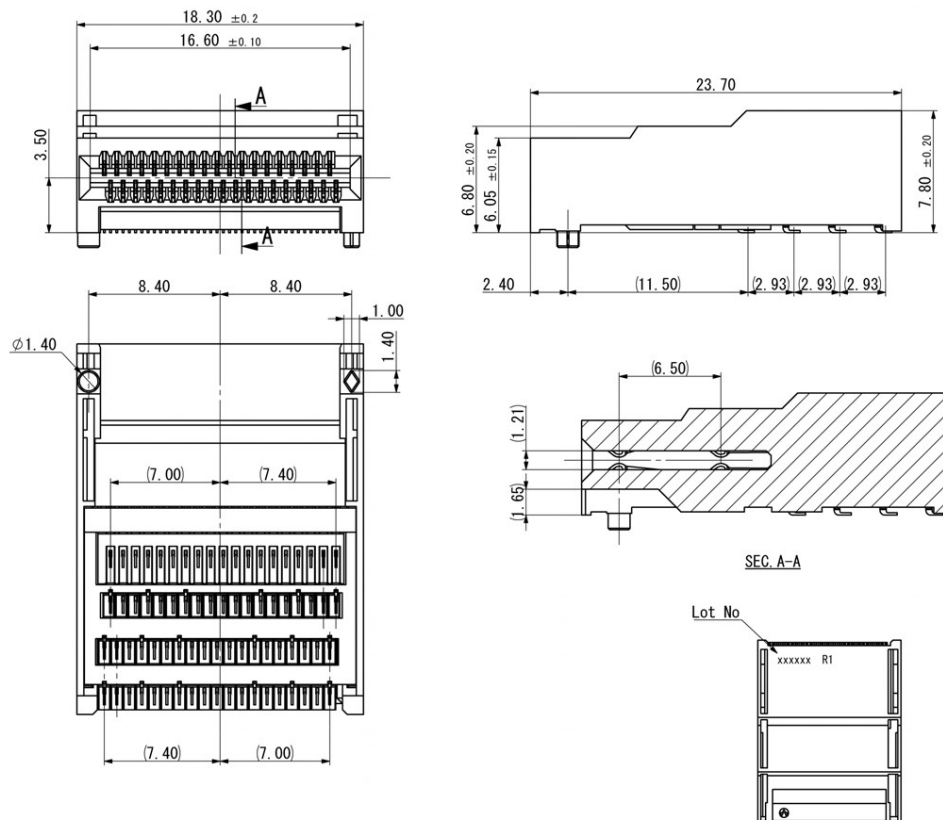
MATERIALS AND FINISH

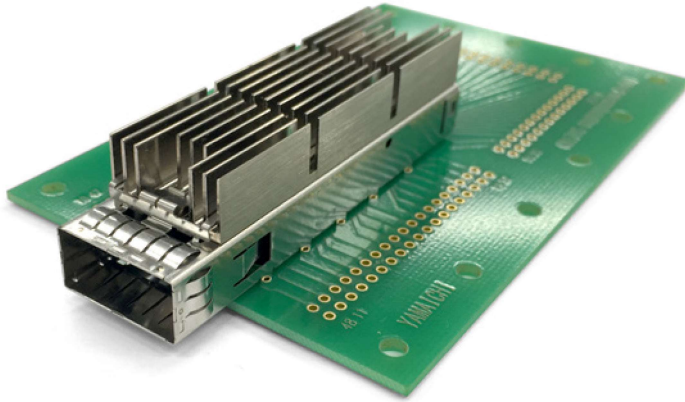
Contact:	Copper Alloy
Contact area:	Ni-Au
Soldering area:	Sn
Insulator:	LCP

FEATURES

- High speed up to 200Gbps (NRZ) 400Gbps (PAM4)
- Pitch: 0.8 mm
- Pin Count: 76 Pins
- Compatible with existing QSFP (Infiniband: QDR / FDR / EDR) module
- RoHS2011/65/EU
- REACH conform according to EU Regulation 1907/2006

OUTLINE DIMENSIONS CN1745-076-0001





PART NUMBER CAGE

CN174C-1001-01

PART NUMBER CLIP

CN174M-076-0002

PART NUMBER HEATSINK

CN174F-076-0002 (FRONT TO BACK)

PART NUMBER HEATSINK

CN174F-076-0004 (FIN TYPE)

SPECIFICATIONS

Operating Temp. Range: -20° to 85° C
 Durability: 100 cycles
 Press fit insertion force: 140N min.
 Test Standard: EIA-364

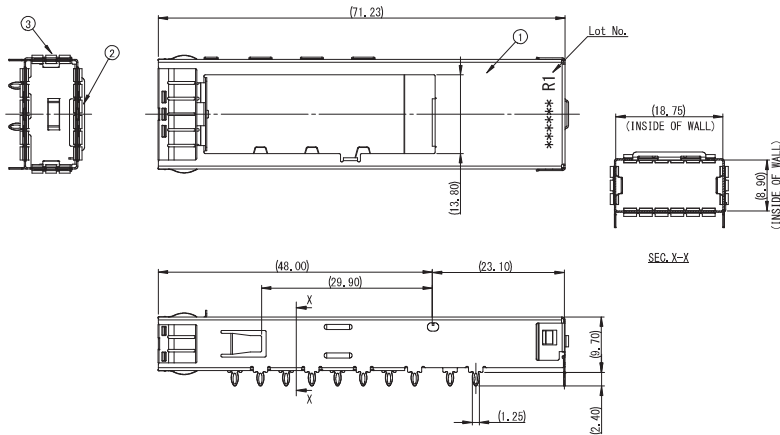
FEATURES

- Complies with QSFP-DD MSA
- Heatsink with 3 different heights (4.2, 6.5 and 13.5 mm)
- RoHS2011/65/EU
- REACH conform according to EU Regulation 1907/2006

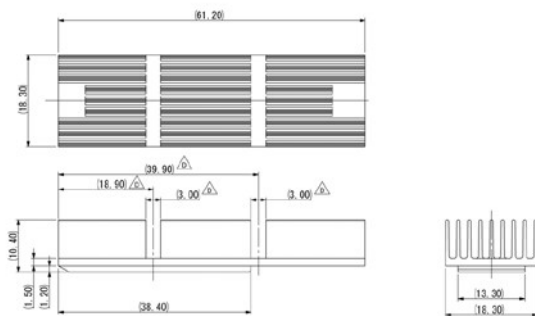
MATERIALS AND FINISH

Cage: Stainless, Degreasing
 Heatsink: Aluminium, Anodizing Treatment
 Clip: Stainless, Degreasing

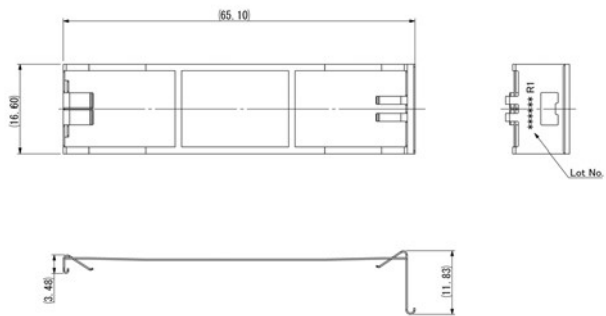
OUTLINE DIMENSIONS CAGE



OUTLINE DIMENSIONS HEATSINK



OUTLINE DIMENSIONS CLIP



Mouser Electronics

Authorized Distributor

Click to View Pricing, Inventory, Delivery & Lifecycle Information:

[Yamaichi Electronics:](#)

[CN174S-076-0001](#)