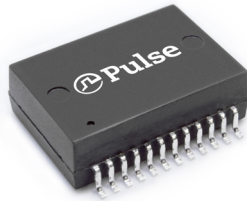


1000BASE-T Magnetics Module

Designed to Support 1:1 Turns Ratio Transceivers



- Ⓜ RoHS peak reflow temperature rating 245°C
- Ⓜ Meets IEEE 802.3 specification

Electrical Specifications @ 25°C — Operating Temperature 0°C to 70°C

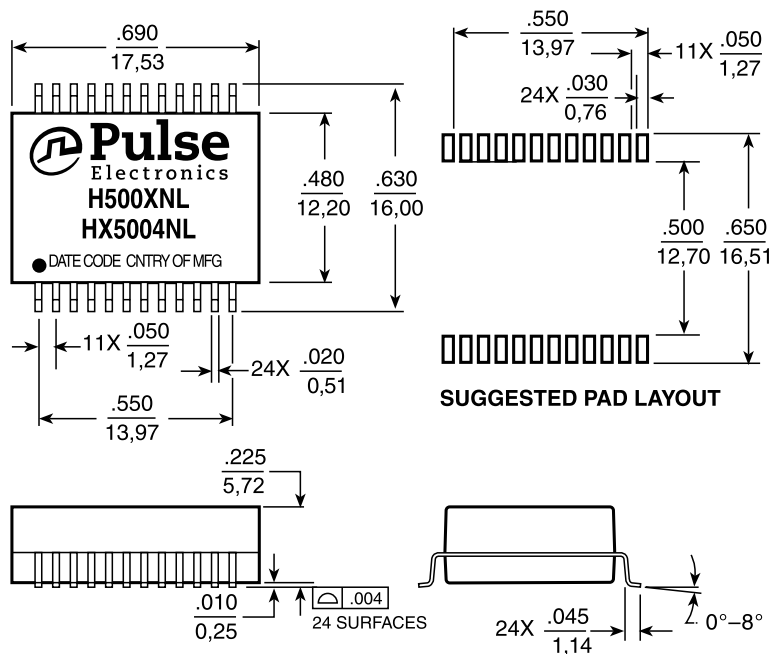
| RoHS Compliant Part Number ² | Number of Ports | Insertion Loss (dB MAX) | Return Loss (dB MIN) | | | | | Differential to Common Mode Rejection (dB MIN) | | | Crosstalk (dB MIN) | | | Hipot (Vrms) |
|---|-----------------|-------------------------|----------------------|---------|--------|--------|-----------|--|--------|--------|--------------------|--------|--------|--------------|
| | | | 1-100 MHz | 1-30MHz | 40 MHz | 50 MHz | 60-80 MHz | 100 MHz | 30 MHz | 60 MHz | 100 MHz | 30 MHz | 60 MHz | |
| H5004NL ^{3d} | 1 | 1 | -18 | -18 | -16 | -12 | -10 | -43 | -37 | -33 | -43 | -37 | -33 | 1500 |
| HX5004NL ^{1,3d} | 1 | 1 | -18 | -18 | -16 | -12 | -10 | -43 | -37 | -33 | -43 | -37 | -33 | 1500 |
| H5007NL ^{3d} | 1 | 1 | -18 | -18 | -16 | -12 | -10 | -43 | -37 | -33 | -43 | -37 | -33 | 1500 |

Notes:

1. HX = extended temperature version -40°C to +85°C
2. For Tape & Reel packaging, add a "T" suffix at the end of the part number, e.g. H5007NLT.
3. MSL = Moisture Sensitivity Level: a = 1, b = 2, c = 3, d = 4

Mechanical

H5004NL, HX5004NL, H5007NL



Weight 1.6 grams
Tape & Reel 300/Reel
Tube 25/Tube

Dimensions: $\frac{\text{Inches}}{\text{mm}}$

Unless otherwise specified, all tolerances are $\pm .010 / 0,25$

1000BASE-T Magnetics Module

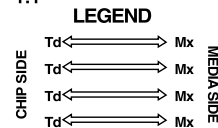
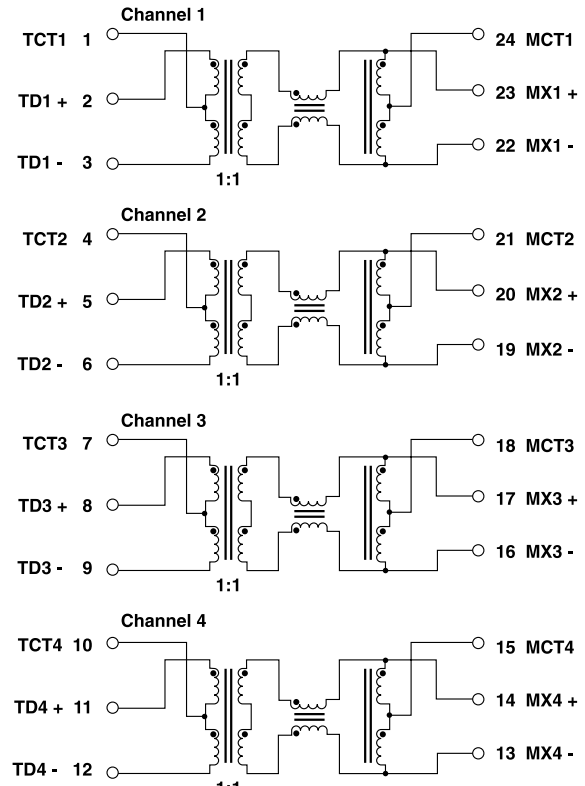
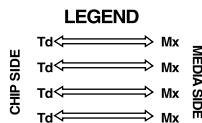
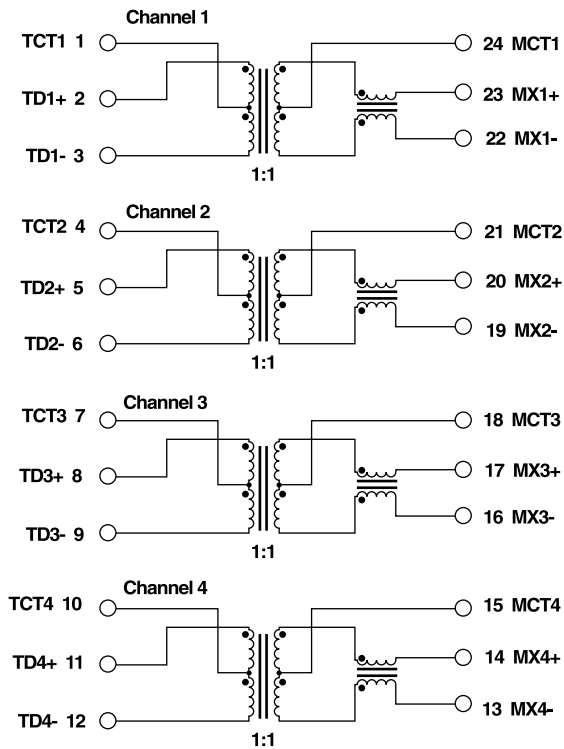
Designed to Support 1:1 Turns Ratio Transceivers

Schematics

H5004NL

HX5004NL

H5007NL



For More Information:

Americas - prodinfonetworkamericas@pulseelectronics.com | Europe - comms-apps-europe@pulseelectronics.com | Asia - prodinfonetworkapac@pulseelectronics.com

Performance warranty of products offered on this data sheet is limited to the parameters specified. Data is subject to change without notice. Other brand and product names mentioned herein may be trademarks or registered trademarks of their respective owners. © Copyright, 2020. Pulse Electronics, Inc. All rights reserved.

Mouser Electronics

Authorized Distributor

Click to View Pricing, Inventory, Delivery & Lifecycle Information:

Pulse:

[HX5004](#) [HX5004T](#) [HX5014NLT](#) [HX5004NLT](#) [HX5004NL](#)