

Description: 1608 Diplexer

PART NUMBER: DPX1608LKW2R2460A

Features:

- Compact Size
- RoHS compliant

Applications:

- WiFi 6E



Net weigh/pcs (g): 0.00362

ELECTRICAL SPECIFICATIONS

Low-Band

Item	Frequency Range (MHz)	Min.	Typ.	Max.
Insertion loss (dB)	2400~2500	-	1.08	1.25
Return loss (dB)	2400~2500	12	18.8	-
Attenuation (dB)	1200	10	17.3	-
	4800~5000	36	40.5	-
	5150~7125	33	35.4	-
	7200~7500	33	36.9	-
	10300~14250	15	22.3	-
	15450~21375	5	8.7	-

In the effort to improve our products, we reserve the right to make changes judged to be necessary.

CONFIDENTIAL AND PROPRIETARY INFORMATION

This document contains confidential and proprietary information of Pulse Electronics, Inc. (Pulse) and is protected by copyright, trade secret and other state and federal laws. Its receipt or possession does not convey any rights to reproduce, disclose its contents, or to manufacture, use or sell anything it may describe. Reproduction, disclosure or use without specific written authorization of Pulse is strictly forbidden.

For more information:

Pulse Worldwide Headquarters
15255 Innovation Drive #100
San Diego, CA 92128
USA
Tel:1-858-674-8100

Pulse/Larsen Antennas
18110 SE 34th St Bldg 2 Suite 250
Vancouver, WA 98683
USA
Tel: 1-360-944-7551

Europe Headquarters
Pulse GmbH & Do, KG
Zeppelinstrasse 15
Herrenberg, Germany
Tel: 49 7032 7806 0

Pulse (Suzhou) Wireless Products Co, Inc.
99 Huo Ju Road(#29 Bldg,4th Phase
Suzhou New District
Jiangsu Province, Suzhou 215009 PR China
Tel: 86 512 6807 9998



Description: 1608 Diplexer

PART NUMBER: DPX1608LKW2R2460A

ELECTRICAL SPECIFICATIONS

High-Band

Item	Frequency Range (MHz)	Min.	Typ.	Max.
Insertion loss (dB)	5150~5875	-	0.92	1.25
	5875~7125	-	0.75	1.25
Return loss (dB)	5150~7125	10	11.0	-
Attenuation (dB)	2400~2500	35	44.3	-
	10300~14250	32	36.2	-
	15450~21375	12	16.8	-

Common

Item	Frequency Range (MHz)	Min.	Typ.	Max.
Return loss (dB)	2400~2500	12	18.8	-
	5150~7125	10	11.0	-

Isolation

Item	Frequency Range (MHz)	Min.	Typ.	Max.
Isolation (dB)	4800~5000	36	38.7	-
	5150~7125	33	36.4	-
	7200~7500	33	36.7	-
	10300~14250	20	32.5	-
	15450~21375	15	19.7	-

*Impedance for high-band = Match to client's chipset

Operating Temperature Range : -40~85°C

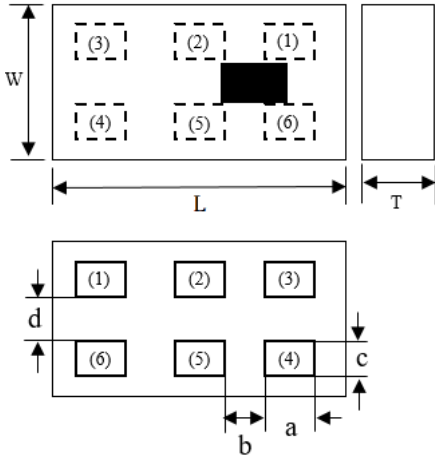
Power Capacity : 3W max.

Description: 1608 Diplexer

PART NUMBER: DPX1608LKW2R2460A

MECHANICAL DIMENSION

Outline



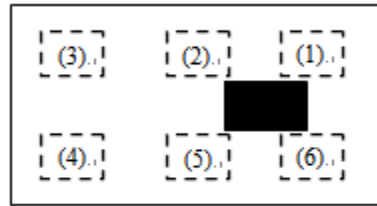
Dimension

L	W	T	a
1.60±0.10	0.80±0.10	0.70 max.	0.35±0.05
b	c	d	
0.22±0.05	0.225±0.05	0.22±0.05	

NOTE : Dimensions in mm.

Termination

Top View

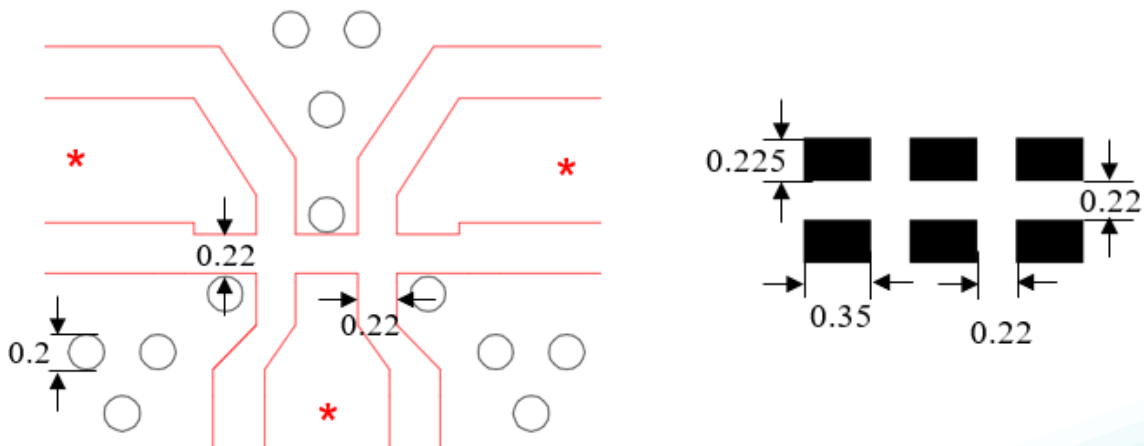


Terminal name

Function

Terminal name	Function
1	High band
2	GND
3	Low band
4	GND
5	Common
6	GND

Reference design of EVB



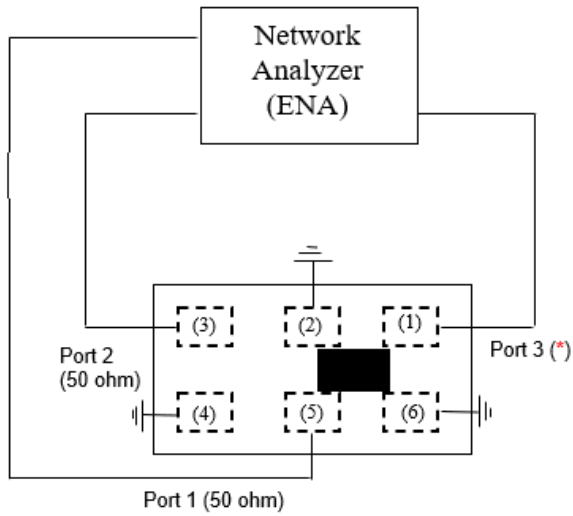
Unit : mm

*Line width should be designed to match 50Ω characteristic impedance, depending on PCB material and thickness.

Description: 1608 Diplexer

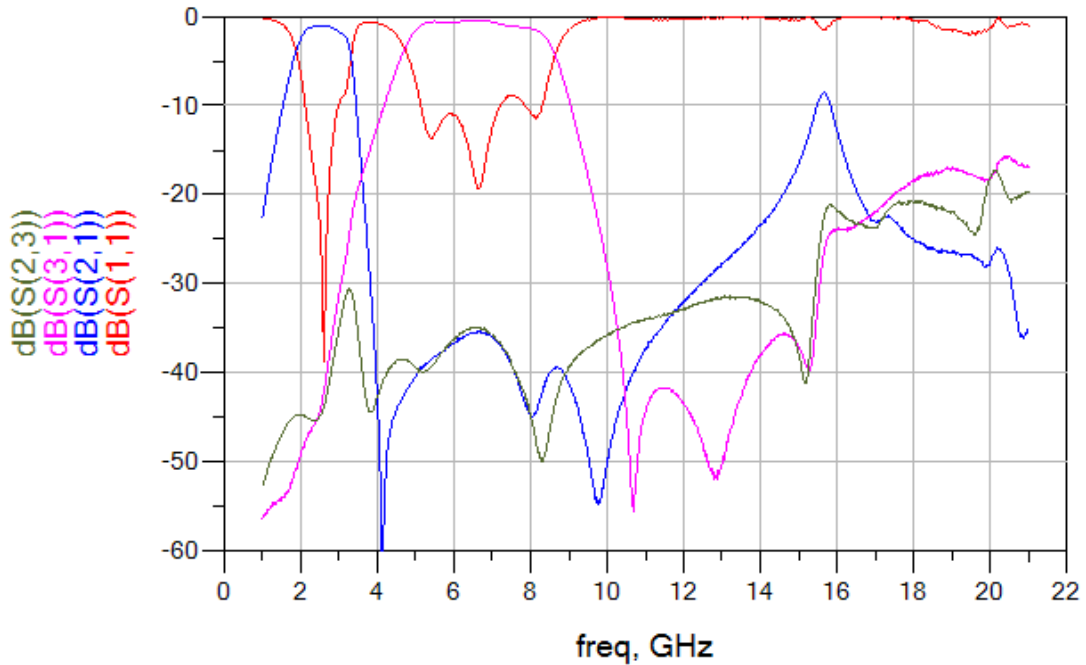
PART NUMBER: DPX1608LKW2R2460A

MEASURING DIAGRAM



Test Instrument :
Agilent E5071C Network Analyzer or equivalent.
***Impedance for high-band = Match to client's chipset**

ELECTRICAL PERFORMANCES



In the effort to improve our products, we reserve the right to make changes judged to be necessary.

CONFIDENTIAL AND PROPRIETARY INFORMATION

This document contains confidential and proprietary information of Pulse Electronics, Inc. (Pulse) and is protected by copyright, trade secret and other state and federal laws. Its receipt or possession does not convey any rights to reproduce, disclose its contents, or to manufacture, use or sell anything it may describe. Reproduction, disclosure or use without specific written authorization of Pulse is strictly forbidden.

Description: 1608 Diplexer

PART NUMBER: DPX1608LKW2R2460A

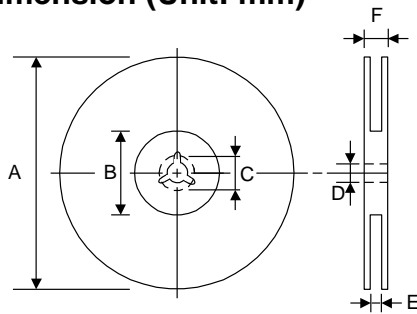
PACKING SPECIFICATION

Peel-off force



The force for peeling of cover tape is 10 grams in the arrow direction.

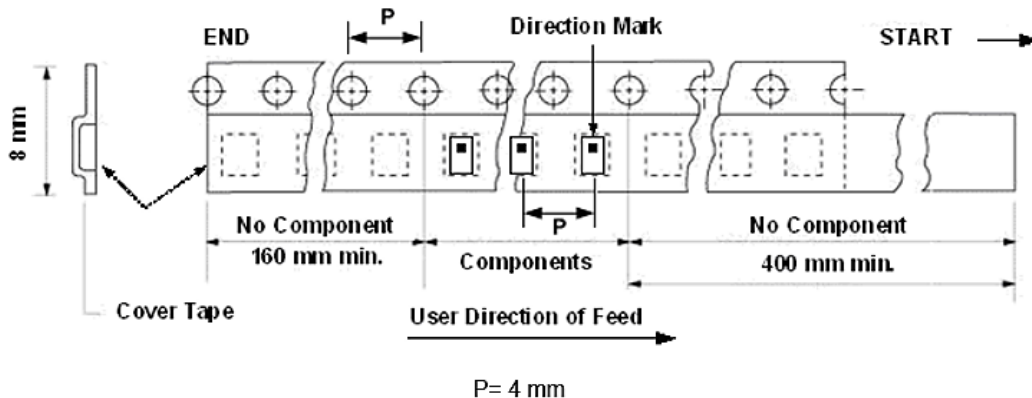
Dimension (Unit: mm)



TYPE	A	B	C	D	E	F
8 mm	178±1	60+0.5 -0	-	13±0.2	9±0.5	12±0.5
12 mm	178±0.3	60±0.2	19.3±0.1	13.5±0.1	13.6±0.1	-

Taping quantity

SERIES	5824 5724	5320 5220	4532	4516	3225	3216 2520	2012 1608	1005 0605
PCS/Reel	5000	3000	1000	2000	2500	3000	4000	10000



In the effort to improve our products, we reserve the right to make changes judged to be necessary.
CONFIDENTIAL AND PROPRIETARY INFORMATION

This document contains confidential and proprietary information of Pulse Electronics, Inc. (Pulse) and is protected by copyright, trade secret and other state and federal laws. Its receipt or possession does not convey any rights to reproduce, disclose its contents, or to manufacture, use or sell anything it may describe. Reproduction, disclosure or use without specific written authorization of Pulse is strictly forbidden.

Description: 1608 Diplexer**PART NUMBER: DPX1608LKW2R2460A****REVISION HISTORY**

Revision	Date	Description
Version 1	Mar. 02, 2023	- New issue

Mouser Electronics

Authorized Distributor

Click to View Pricing, Inventory, Delivery & Lifecycle Information:

[Pulse:](#)

[DPX1608LKW2R2460A](#)