

DATA SHEET

TRANSIENT VOLTAGE SUPPRESSORS

AC/DC POWER SUPPLY

SMA6L SERIES

RoHS compliant & Halogen free

Product specification— December 03, 2023 V.2



Transient Voltage Suppressors (TVS) Data Sheet

Features

- Glass passivated chip junction in SMAF Package
- Excellent clamping capability
- 600W peak pulse power capability on 10/1000µs waveform
- Fast response time: typically less than 1.0ps from 0 Volts to BV min
- High temperature soldering guaranteed: 265°C/10 seconds
- Matte tin lead-free plated

Mechanical Data

- Case: JEDEC SMF Molded Plastic
- Terminals: axial leads, solderable per MIL-STD-750, Method 2026
- Polarity: Color band denoted cathode except bidirectional
- Mounting Position: any

Maximum Ratings and Characteristics

Ratings at 25°C ambient temperature unless otherwise specified.

Rating	Symbol	Value	Units
Peak pulse power dissipation with 10/1000µs waveform	P _{PPM}	600	W
Peak pulse current with 10/1000 µs waveform	I _{PPM} ⁽¹⁾	See next table	A
Operating junction and storage temperature range	T _J , T _{STG}	-55 to +150	°C

Notes:

(1). Non-repetitive current pulse derated above T_A=25°C

Dimensions (SMAF)

	Symbol	Millimeters		Inches	
		Min.	Max.	Min.	Max.
A	3.30	3.70	0.130	0.146	
B	4.35	4.85	0.171	0.191	
C	1.30	1.60	0.051	0.063	
D	2.40	2.80	0.094	0.110	
E	0.60	1.20	0.024	0.047	
F	0.10	0.30	0.004	0.012	
G	1.00	1.40	0.039	0.055	

Electrical Characteristics (T_A=25°C)

Part Number	Marking	Breakdown Voltage VBR (Volts) @ IT		Test Current IT(mA)	Reverse Stand off Voltage VR(V)	Maximum Reverse Leakage @ VR IR(μA)	Maximum Peak Pulse Current Ipp (A)	Maximum Clamping Voltage @Ipp VC (V)
		Min.	Max.					
SMA6L5.0A	AE	6.4	7	10	5	800	65.3	9.2
SMA6L6.0A	AG	6.67	7.37	10	6	800	58.3	10.3
SMA6L6.5A	AK	7.22	7.98	10	6.5	500	53.6	11.2
SMA6L7.0A	AM	7.78	8.6	10	7	200	50.0	12
SMA6L7.5A	AP	8.33	9.21	1	7.5	100	46.6	12.9
SMA6L8.0A	AR	8.89	9.83	1	8	50	44.2	13.6
SMA6L8.5A	AT	9.44	10.4	1	8.5	20	41.7	14.4
SMA6L9.0A	AV	10	11.1	1	9	10	39.0	15.4
SMA6L10A	AX	11.1	12.3	1	10	5	35.3	17
SMA6L11A	AZ	12.2	13.5	1	11	1	33.0	18.2
SMA6L12A	BE	13.3	14.7	1	12	1	30.2	19.9
SMA6L13A	BG	14.4	15.9	1	13	1	28.0	21.5
SMA6L14A	BK	15.6	17.2	1	14	1	25.9	23.2
SMA6L15A	BM	16.7	18.5	1	15	1	24.6	24.4
SMA6L16A	BP	17.8	19.7	1	16	1	23.1	26
SMA6L17A	BR	18.9	20.9	1	17	1	21.8	27.6
SMA6L18A	BT	20	22.1	1	18	1	20.6	29.2
SMA6L20A	BV	22.2	24.5	1	20	1	18.6	32.4
SMA6L22A	BX	24.4	26.9	1	22	1	16.9	35.5
SMA6L24A	BZ	26.7	29.5	1	24	1	15.5	38.9
SMA6L26A	CE	28.9	31.9	1	26	1	14.3	42.1
SMA6L28A	CG	31.1	34.4	1	28	1	13.3	45.4
SMA6L30A	CK	33.3	36.8	1	30	1	12.4	48.4
SMA6L33A	CM	36.7	40.6	1	33	1	11.3	53.3
SMA6L36A	CP	40	44.2	1	36	1	10.4	58.1
SMA6L40A	CR	44.4	49.1	1	40	1	9.3	64.5
SMA6L43A	CT	47.8	52.8	1	43	1	8.7	69.4
SMA6L45A	CV	50	55.3	1	45	1	8.3	72.7
SMA6L48A	CX	53.3	58.9	1	48	1	7.8	77.4
SMA6L51A	CZ	56.7	62.7	1	51	1	7.3	82.4
SMA6L54A	RE	60	66.3	1	54	1	6.9	87.1
SMA6L58A	RG	64.4	71.2	1	58	1	6.5	93.6
SMA6L60A	RK	66.7	73.7	1	60	1	6.2	96.8
SMA6L64A	RM	71.1	78.6	1	64	1	5.9	103
SMA6L70A	RP	77.8	86	1	70	1	5.3	113
SMA6L75A	RR	83.3	92.1	1	75	1	5.0	121
SMA6L78A	RT	86.7	95.8	1	78	1	4.8	126
SMA6L85A	RV	94.4	104	1	85	1	4.4	137

Transient Voltage Suppressors SMA6L SERIES

Part Number	Marking	Breakdown Voltage VBR (Volts) @ IT		Test Current IT(mA)	Reverse Stand off Voltage VR(V)	Maximum Reverse Leakage @ VR IR(μA)	Maximum Peak Pulse Current Ipp (A)	Maximum Clamping Voltage @ Ipp VC (V)
		Min.	Max.					
SMA6L90A	RX	100	111	1	90	1	4.1	146
SMA6L100A	RZ	111	123	1	100	1	3.7	162
SMA6L110A	SE	122	135	1	110	1	3.4	177
SMA6L120A	SG	133	147	1	120	1	3.1	193
SMA6L130A	SK	144	159	1	130	1	2.9	209
SMA6L150A	SM	167	185	1	150	1	2.5	243
SMA6L160A	SP	178	197	1	160	1	2.3	259
SMA6L170A	SR	189	209	1	170	1	2.2	275
SMA6L180A	ST	201	222	1	180	1	2.1	292
SMA6L185A	SU	209	231	1	185	1	2	303
SMA6L200A	SV	224	247	1	200	1	1.9	324
SMA6L220A	SX	246	272	1	220	1	1.7	356
SMA6L250A	SZ	279	309	1	250	1	1.5	405

Ratings and Characteristic Curves (TA=25°C unless otherwise noted)

Figure 1. TVS Transients Clamping Waveform

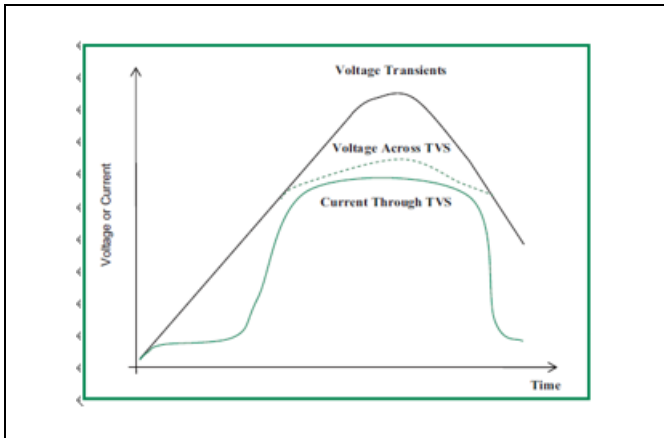
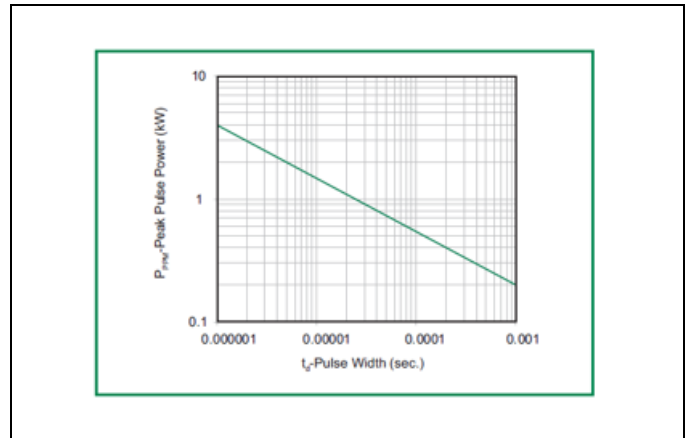


Figure 2. Peak Pulse Power Rating Curve



Ratings and Characteristic Curves ($T_A=25^\circ\text{C}$ unless otherwise noted)

Figure 3. Pulse Derating Curve

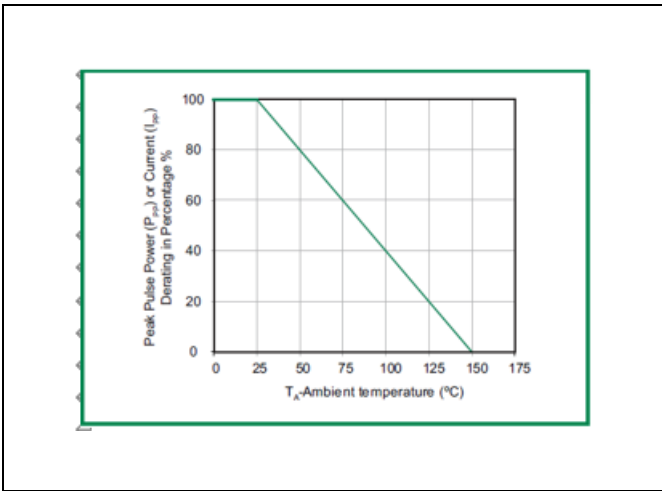


Figure 4. Pulse Waveform -10/1000us

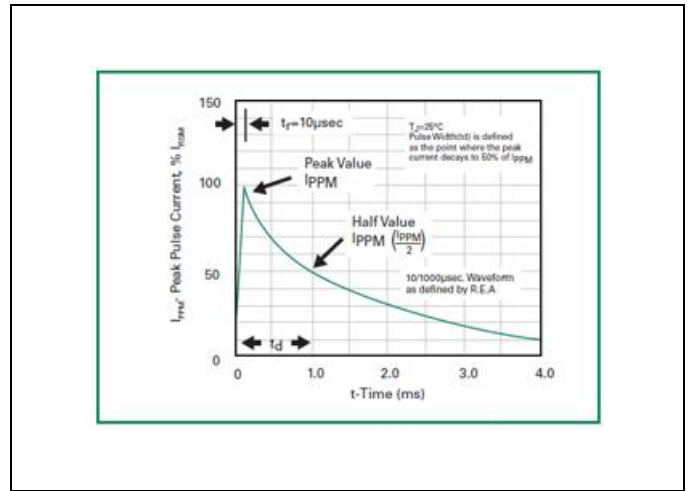


Figure 5. Steady State Power Dissipation Derating Curve

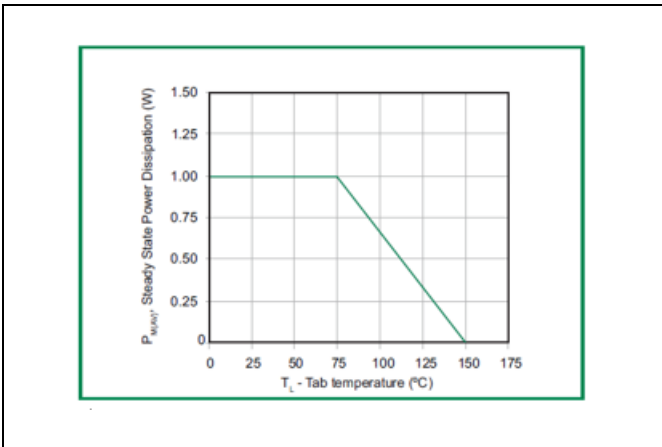


Figure 6. Forward Voltage

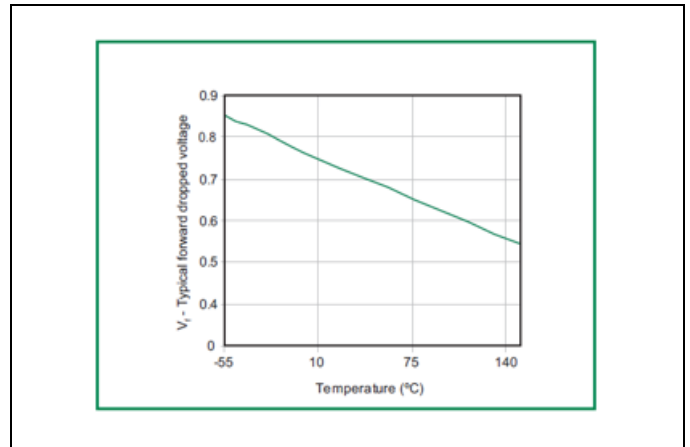
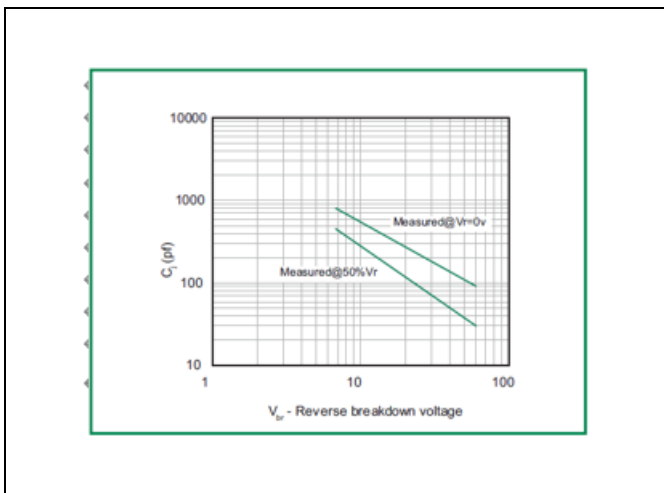
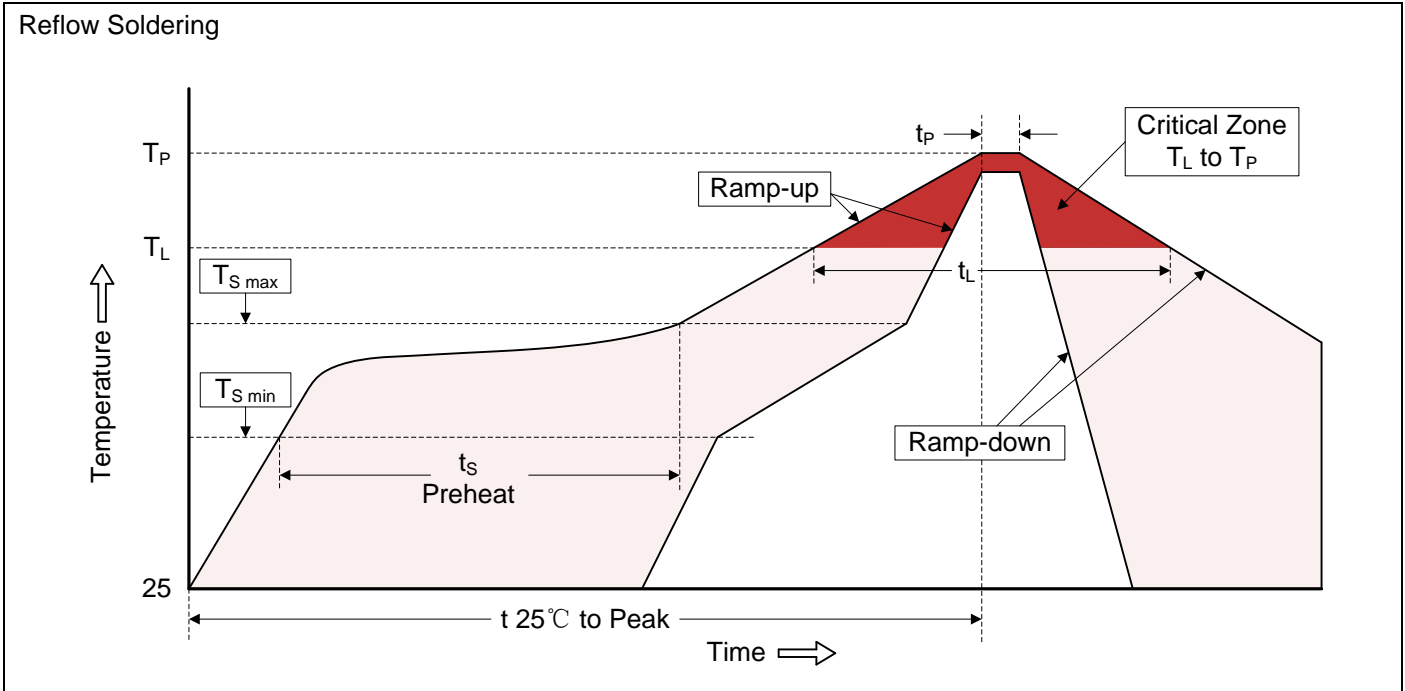


Figure 7. C_j vs. Working Peak Reverse Voltage



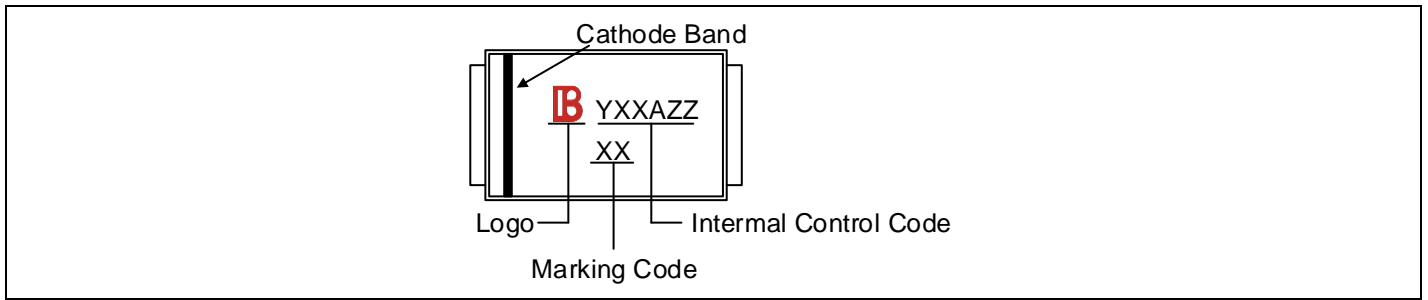
Recommended Soldering Conditions



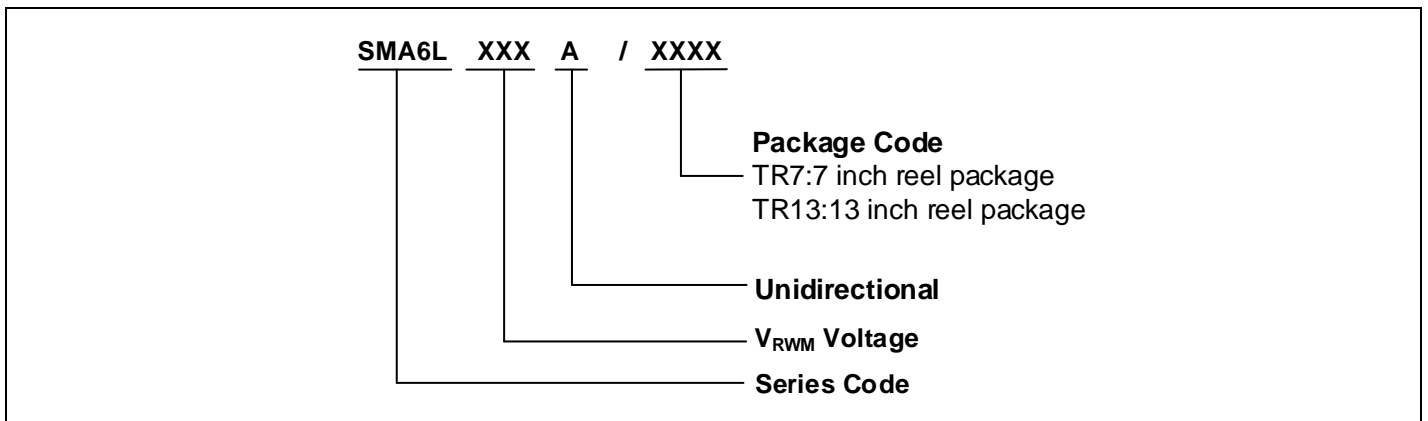
Recommended Conditions

Profile Feature	Pb-Free Assembly
Average ramp-up rate (T_L to T_P)	3°C/second max.
Preheat -Temperature Min ($T_{S\ min}$) -Temperature Max ($T_{S\ max}$) -Time (min to max) (t_s)	150°C 200°C 60-180 seconds
$T_{S\ max}$ to T_L -Ramp-up Rate	3°C/second max.
Time maintained above: -Temperature (T_L) -Time (t_L)	217°C 60-150 seconds
Peak Temperature (T_P)	260°C
Time within 5°C of actual Peak Temperature (t_P)	20-40 seconds
Ramp-down Rate	6°C/second max.
Time 25°C to Peak Temperature	8 minutes max.

Marking Code



Part Number Code



Ordering Code for Different Package

7 inch reel package: Add suffix “ /TR7 ” at the end of the part number, such as SMA6LXXXA/TR7

13 inch reel package: Add suffix “ /TR13 ” at the end of the part number, such as SMA6LXXXA /TR13

Packaging

Tape		Symbol	Dimension (mm)		
		W	12.0±0.2		
		A	2.93±0.1		
		B	5.00±0.1		
		C	1.45±0.1		
		d1	Max.:1.55		
		d	1.55±0.1		
		E	1.75±0.1		
		F	5.50±0.1		
		P	8.00±0.1		
		P0	4.00±0.1		
		T	0.23±0.1		
<p>7" Reel</p>		D	178.0±0.5		
		D1	Min.:74		
		D2	13.0±0.2		
		G	Min.:8.0		
		W1	Min.:10.0		
		Quantity: 3000PCS			
		<p>13" Reel</p>		D	330mm±1mm
				D1	100mm±1mm
				D2	13mm±0.2mm
				G	12.4mm+4mm-1mm
W1	16.4mm±0.2mm				
Quantity: 10000PCS					

LEGAL DISCLAIMER

YAGEO, its distributors and agents (collectively, "YAGEO"), hereby disclaims any and all liabilities for any errors, inaccuracies or incompleteness contained in any product related information, including but not limited to product specifications, datasheets, pictures and/or graphics. YAGEO may make changes, modifications and/or improvements to product related information at any time and without notice.

YAGEO makes no representation, warranty, and/or guarantee about the fitness of its products for any particular purpose or the continuing production of any of its products. To the maximum extent permitted by law, YAGEO disclaims (i) any and all liability arising out of the application or use of any YAGEO product, (ii) any and all liability, including without limitation special, consequential or incidental damages, and (iii) any and all implied warranties, including warranties of fitness for a particular purpose, non-infringement and merchantability.

YAGEO products are designed for general purpose applications under normal operation and usage conditions. Please contact YAGEO for the applications listed below which require especially high reliability for the prevention of defects which might directly cause damage to the third party's life, body or property: Aerospace equipment (artificial satellite, rocket, etc.), Atomic energy-related equipment, Aviation equipment, Disaster prevention equipment, crime prevention equipment, Electric heating apparatus, burning equipment, Highly public information network equipment, data-processing equipment, Medical devices, Military equipment, Power generation control equipment, Safety equipment, Traffic signal equipment, Transportation equipment and Undersea equipment, or for any other application or use in which the failure of YAGEO products could result in personal injury or death, or serious property damage. Particularly **YAGEO Corporation and its affiliates do not recommend the use of commercial or automotive grade products for high reliability applications or manned space flight.**

Information provided here is intended to indicate product specifications only. YAGEO reserves all the rights for revising this content without further notification, as long as products are unchanged. Any product change will be announced by PCN.

Mouser Electronics

Authorized Distributor

Click to View Pricing, Inventory, Delivery & Lifecycle Information:

[YAGEO:](#)

[SMA6L6.0A/TR13](#) [SMA6L5.0A/TR13](#) [SMA6L12A/TR13](#) [SMA6L28A/TR13](#) [SMA6L24A/TR13](#) [SMA6L48A/TR13](#)
[SMA6L58A/TR13](#) [SMA6L40A/TR13](#) [SMA6L13A/TR13](#) [SMA6L26A/TR13](#) [SMA6L70A/TR13](#) [SMA6L8.5A/TR13](#)
[SMA6L6.5A/TR13](#) [SMA6L18A/TR13](#) [SMA6L15A/TR13](#) [SMA6L10A/TR13](#) [SMA6L20A/TR13](#) [SMA6L6.0A/TR7](#)
[SMA6L40A/TR7](#) [SMA6L8.5A/TR7](#) [SMA6L10A/TR7](#) [SMA6L18A/TR7](#) [SMA6L70A/TR7](#) [SMA6L26A/TR7](#)
[SMA6L5.0A/TR7](#) [SMA6L13A/TR7](#) [SMA6L28A/TR7](#) [SMA6L6.5A/TR7](#) [SMA6L24A/TR7](#) [SMA6L20A/TR7](#)
[SMA6L15A/TR7](#) [SMA6L12A/TR7](#) [SMA6L48A/TR7](#) [SMA6L58A/TR7](#)