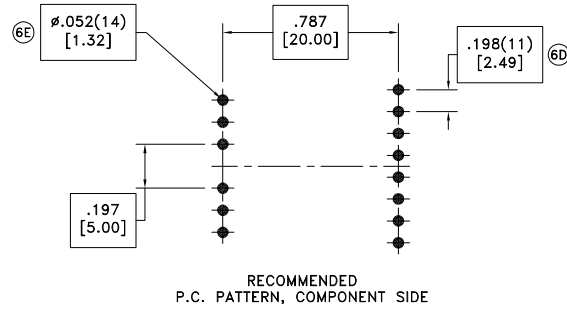
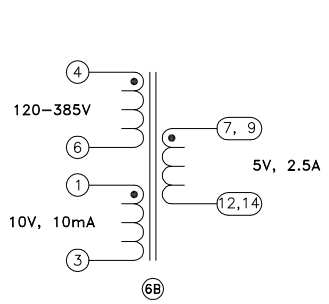
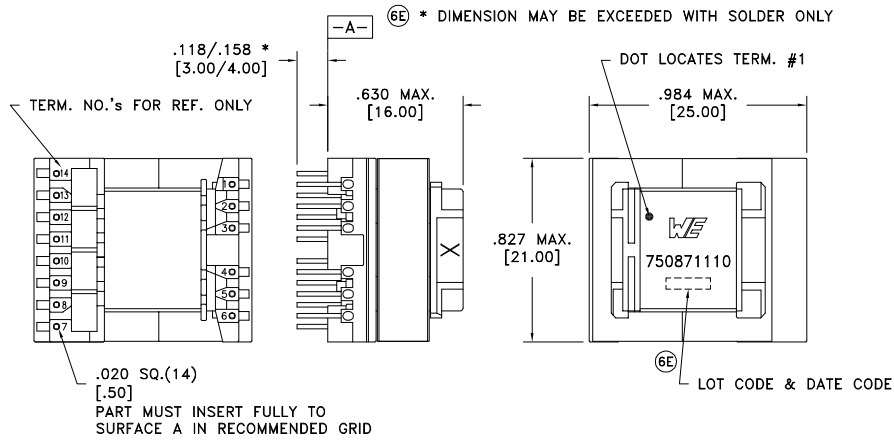


CUSTOMER TERMINAL	RoHS	LEAD(Pb)-FREE
Sn96%, Ag4%	Yes	Yes



ELECTRICAL SPECIFICATIONS @ 25°C unless otherwise noted:

PARAMETER	TEST CONDITIONS	VALUE
D.C. RESISTANCE	4-6 @20°C	4.8 ohms max.
D.C. RESISTANCE	3-1 @20°C	0.98 ohms max.
D.C. RESISTANCE	7-12 tie(12+14, 7+9), @20°C	0.04 ohms max.
INDUCTANCE	4-6 10kHz, 100mVAC, Ls	1.60mH ±10%
6B LEAKAGE INDUCTANCE	4-6 tie(1+3+12+7+9+14), 100kHz, 100mVAC, Ls	29uH typ., 48uH max.
DIELECTRIC	4-7 tie(4+1), 4800VAC, 1 second	4000VAC, 1 minute
DIELECTRIC	1-4 1875VAC, 1 second	1500VAC, 1 minute
TURNS RATIO	(4-6):(1-3)	7.2:1, ±2%
TURNS RATIO	(4-6):(7-12)	14.4:1, ±2%

6E Wire insulation & RoHS status not affected by wire color.  
 Wire insulation color may vary depending on availability.

REV.	DATE	Packaging Specifications	<p>CONVENTION PLACEMENT</p>	Tolerances unless otherwise specified: Angles: ±1° Fractions: ±1/64 Decimals: ±.005 [ .13 ] Footprint: ±.001 [ .03 ]	DRAWING TITLE	PART NO.
6E	11/16	Method: Tray		This drawing is dual dimensioned. Dimensions in brackets are in millimeters.	<b>TRANSFORMER</b>	<b>750871110</b>
6D	8/13	PKG-0736				
6C	12/10	www.we-online.com/midcom				
6B	10/09	SEE REVISION SHEET FOR REVISION LEVEL				

# Mouser Electronics

Authorized Distributor

Click to View Pricing, Inventory, Delivery & Lifecycle Information:

[Wurth Elektronik:](#)

[750871110](#)