

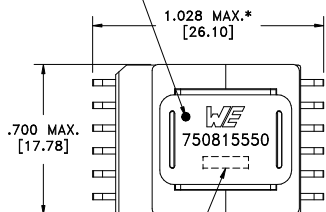
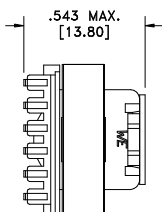
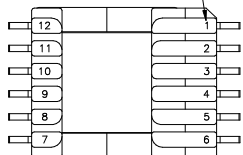
CUSTOMER TERMINAL	RoHS	LEAD(Pb)-FREE
Sn96%, Ag4%	Yes	Yes

more than you expect

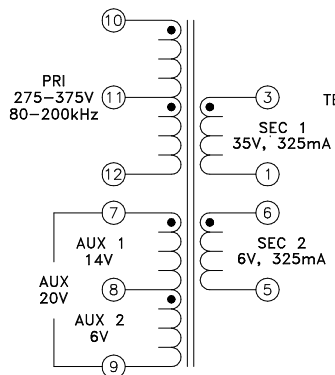


\* DIMENSION MAY BE EXCEEDED WITH SOLDER ONLY  
DOT LOCATES TERM. #1

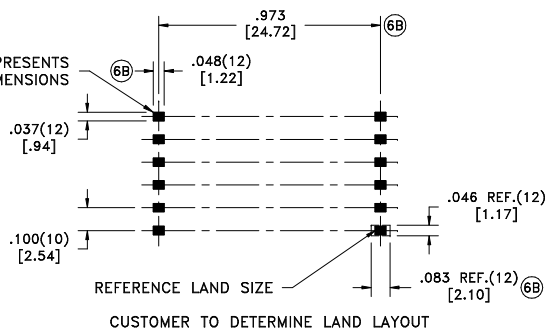
TERM. NO.'s FOR REF. ONLY



LOT CODE & DATE CODE



AREA REPRESENTS  
TERMINAL PAD DIMENSIONS



ELECTRICAL SPECIFICATIONS @ 25°C unless otherwise noted:

PARAMETER	TEST CONDITIONS	VALUE
D.C. RESISTANCE	10-12 @20°C	10.85 ohms ±10%
D.C. RESISTANCE	7-8 @20°C	0.637 ohms ±10%
D.C. RESISTANCE	8-9 @20°C	0.275 ohms ±10%
D.C. RESISTANCE	3-1 @20°C	0.178 ohms ±10%
D.C. RESISTANCE	6-5 @20°C	0.042 ohms ±20%
INDUCTANCE	10-12 10kHz, 100mVAC, Ls	6.00mH ±10%
SATURATION CURRENT	20% rolloff from initial	330mA
LEAKAGE INDUCTANCE	10-12 tie(1+3+5+6, 7+8+9), 100kHz, 100mVAC, Ls	50.00uH typ., 85.00uH max.
DIELECTRIC	1-12 tie(3+5, 9+10), 3750VAC, 1 second	3000VAC, 1 minute
DIELECTRIC	7-12 625VAC, 1 second	500VAC, 1 minute
URNS RATIO	(10-11):(11-12)	1:1, ±1%
URNS RATIO	(10-12):(7-8)	21.74:1, ±1%
URNS RATIO	(10-12):(8-9)	50:1, ±1%
URNS RATIO	(10-12):(3-1)	9.259:1, ±1%
URNS RATIO	(10-12):(6-5)	52:1, ±1%

GENERAL SPECIFICATIONS:

OPERATING TEMPERATURE RANGE: -40°C to +125°C including temp rise.

Designed to comply with the following requirements as defined by IEC60950-1, EN60950-1, UL60950-1/CSA60950-1 and AS/NZS60950.1:

- Reinforced insulation for a primary circuit at a working voltage of 400VDC.

Wire insulation & RoHS status not affected by wire color.  
Wire insulation color may vary depending on availability.

REV.	DATE	Packaging Specifications Method: Tape & Reel PKG-0799 www.we-online.com/midcom		Tolerances unless otherwise specified: Angles: ±1°      Decimals: ±.005 [.13] Fractions: ±1/64      Footprint: ±.005 [.13]	DRAWING TITLE <b>TRANSFORMER</b>	PART NO. <b>750815550</b>
6B	1/12		CONVENTION PLACEMENT	This drawing is dual dimensioned. Dimensions in brackets are in millimeters.	eiSos p/n: 750815550	SPECIFICATION SHEET 1 OF 1
6A	4/11	SEE REVISION SHEET FOR REVISION LEVEL	REVISION LEVEL			



# Mouser Electronics

Authorized Distributor

Click to View Pricing, Inventory, Delivery & Lifecycle Information:

[Wurth Elektronik:](#)

[750815550](#)