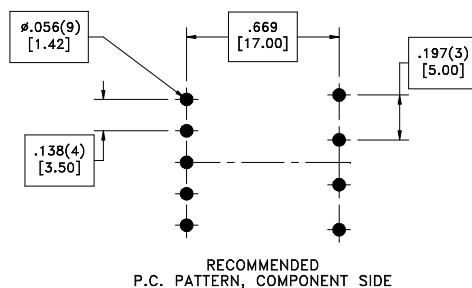
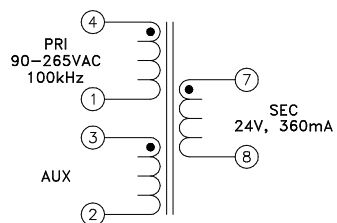
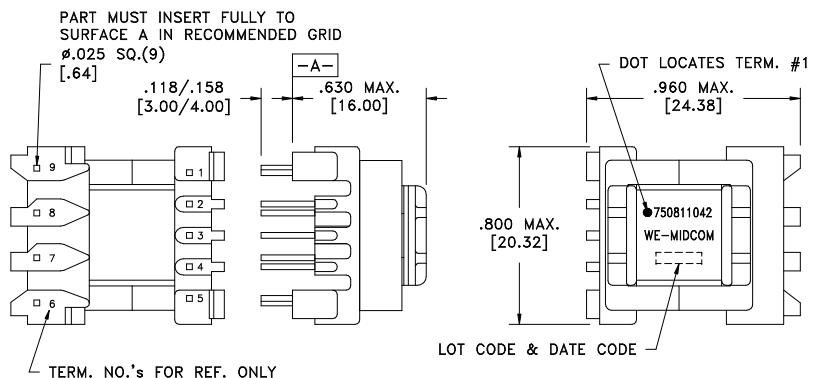


CUSTOMER TERMINAL	RoHS	LEAD(Pb)-FREE
Sn96%, Ag4%	Yes	Yes

more than you expect



ELECTRICAL SPECIFICATIONS @ 25°C unless otherwise noted:

PARAMETER	TEST CONDITIONS	VALUE
D.C. RESISTANCE	1-4 @20°C	1.60 ohms ±10%
D.C. RESISTANCE	2-3 @20°C	0.195 ohms ±10%
D.C. RESISTANCE	7-8 @20°C	0.097 ohms ±10%
INDUCTANCE	1-4 10kHz, 100mVAC, Ls	1.80mH ±10%
SATURATION CURRENT	20% rolloff from initial	400mA
LEAKAGE INDUCTANCE	1-4 tie(2+3, 7+8), 100kHz, 100mVAC, Ls	12uH typ., 18uH max.
DIELECTRIC	1-8 tie(1+2), 4500VAC, 1 second	4500VAC, 1 minute
DIELECTRIC	1-2 625VAC, 1 second	500VAC, 1 minute
URNS RATIO	(4-1):(3-2)	8.076:1, ±1%
URNS RATIO	(4-1):(7-8)	5.25:1, ±1%

GENERAL SPECIFICATIONS:

OPERATING TEMPERATURE RANGE: -40°C to +125°C including temp rise.

Designed to comply with the following requirements as defined by IEC61558-2-17:
 - Reinforced insulation for a primary circuit at a working voltage of 400VDC.

REV.	DATE	Packaging Specifications Method: Tray PKG-0058 www.midcom-inc.com	 CONVENTION PLACEMENT	Tolerances unless otherwise specified: Angles: ±1° Decimals: ±.005 [.13] Fractions: ±1/64 Footprint: ±.001 [.03]	DRAWING TITLE TRANSFORMER	PART NO. 750811042
6A	1/10	SEE REVISION SHEET FOR REVISION LEVEL		This drawing is dual dimensioned. Dimensions in brackets are in millimeters.	eiSos p/n: 750811042	 SPECIFICATION SHEET 1 OF 1

Mouser Electronics

Authorized Distributor

Click to View Pricing, Inventory, Delivery & Lifecycle Information:

[Wurth Elektronik:](#)

[750811042](#)