

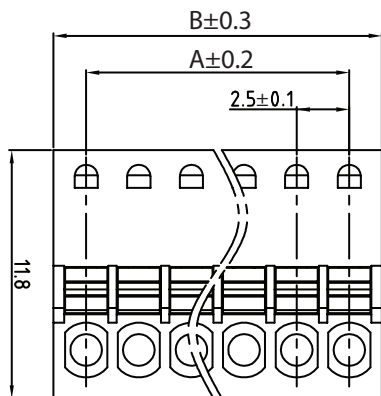
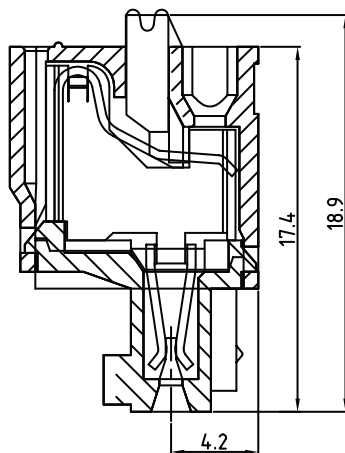
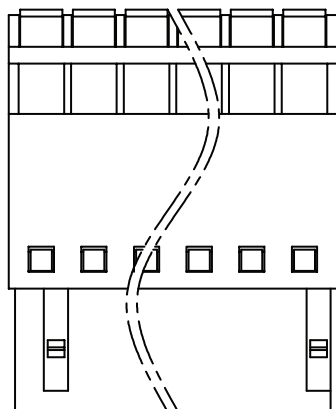
1

2

3

4

5



A	(N-1)X2.5
B	NX2.5+0.6

TECHNICAL CHARACTERISTICS

MATERIAL  
 INSULATOR: PA 66  
 FLAMMABILITY RATING: UL94-V0  
 COLOR: GREEN  
 CONTACT MATERIAL: COPPER ALLOY  
 CONTACT TYPE: STAMPED  
 CONTACT PLATING: TIN PLATED

ENVIRONMENTAL  
 OPERATING TEMPERATURE: -40°C UP TO +105°C  
 COMPLIANCE: LEAD FREE AND ROHS

ELECTRICAL  
 CURRENT RATING: 12A  
 WORKING VOLTAGE: 300V AC  
 WITHSTANDING VOLTAGE: 2500 VAC/min  
 CONTACT RESISTANCE: 20 mΩ max

STANDARD  
 CERTIFIED E315414

MECHANICAL  
 SOLID WIRE: 24-16 AWG / 0.205-1.31 MM²  
 STRANDED WIRE: 24-16 AWG / 0.205-1.31 MM²

WIRE STRIP LENGTH: 6-8 MM  
 PITCH: 2,5 MM

PACKAGING  
 BOX

RoHS Compliant

PROJECTION:



GENERAL TOLERANCE

.X = +/- 0.2  
 .XX = +/- 0.15



APPROVAL: FBr

UNIT: MM

SCALE:

SHEET: 1/3

DRAW: AS

DESCRIPTION: SERIE 381 - VERTICAL CABLE ENTRY PLUG SCREWLESS -  
 PITCH 2,5 MM - WR-TBL

WERI PART NO: 691 381 000 0XX

SIZE

A4

G			
F			
E			
D			
C			
B	12-AUG-15	REMOVE SOLDER	AK
A	23-JUL-14	PDF	AS
REV	DATE	FILE	BY

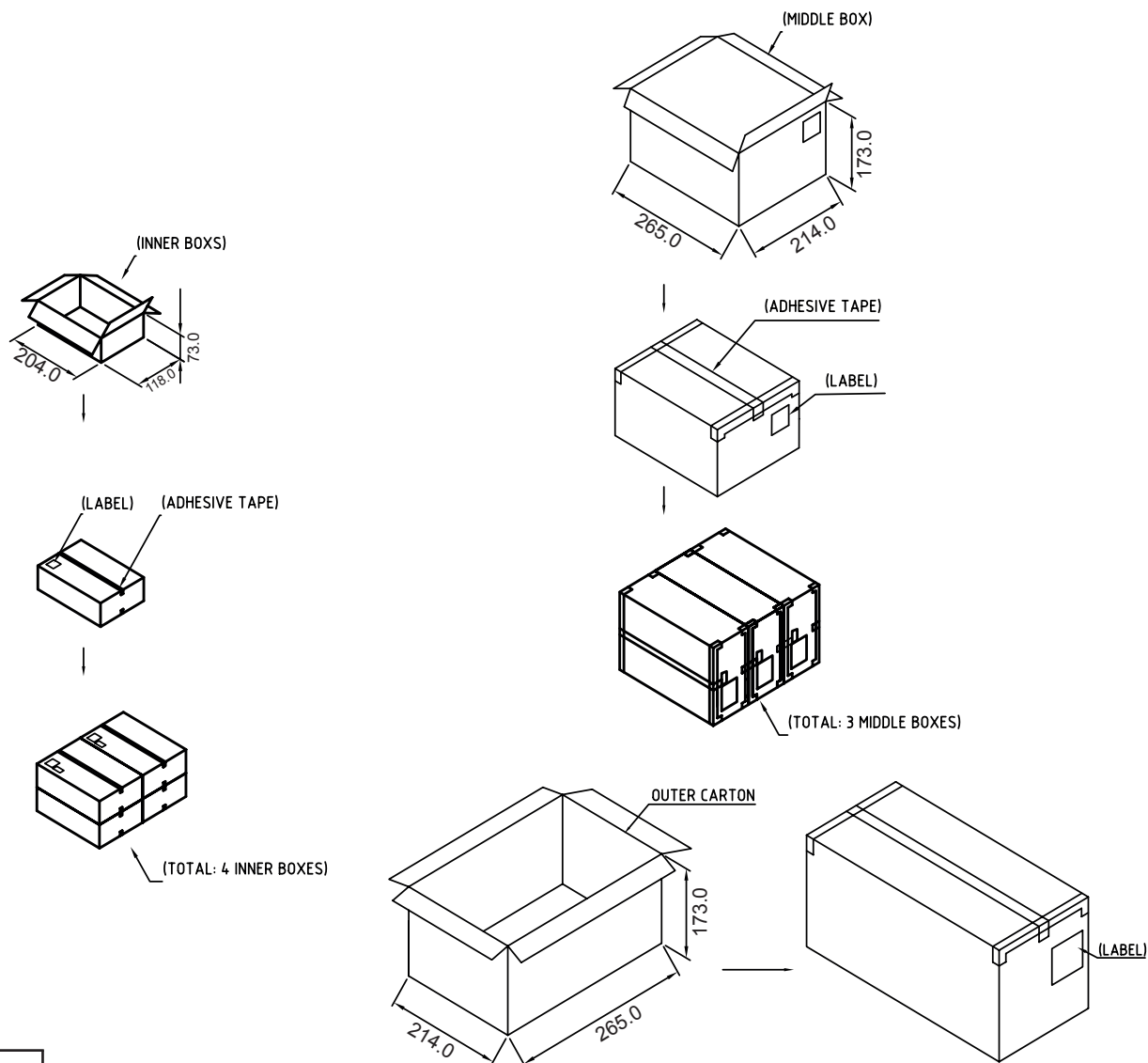
1

2

3

4

5



specification	(pcs) inner box quantity	(pcs) middle-carton -n quantity	(pcs) outer-carton quantity
2P	700	2800	8400
3P	500	2000	6000
4P	400	1600	4800
5P	430	1720	5160
6P	335	1340	4020
7P	285	1140	3420
8P	275	1100	3300
9P	240	960	2880
10P	220	880	2640
11P	200	880	2400
12P	190	760	2280
13P	160	640	1920
14P	140	560	1680
15P	140	560	1680
16P	125	500	1500
17P	125	500	1500
18P	105	420	1260
19P	105	420	1260
20P	95	380	1140
21P	95	380	1140
22P	80	320	960
23P	80	320	960
24P	65	260	780

RoHS Compliant

G

F

E

D

C

B

A

REV

23-JUL-14

DATE

PDF

FILE

AS

BY

PROJECTION:



APPROVAL: JC

GENERAL TOLERANCE

.X = +/- 0.2

.XX = +/- 0.15

UNIT: MM

SCALE:

SHEET: 2/3

DRAW: AS



DESCRIPTION: SERIE 381 - VERTICAL CABLE ENTRY PLUG SCREWLESS -  
PITCH 2,5mm - WR-TBL

WERI PART NO: 691 381 000 0XX

SIZE

A4

1

2

3

4

5

## Cautions and Warnings:

This electronic component is designed and developed with the intention for use in general electronics equipments.

Before incorporating the components into any equipments in the field such as aerospace, aviation, nuclear control, submarine, transportation, (automotive control, train control, ship control), transportation signal, disaster prevention, medical, public information network etc. where higher safety and reliability are especially required or if there is possibility of direct damage or injury to human body, Würth Elektronik must be asked for a written approval.

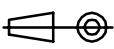

In addition, even electronic component in general electronic equipments, when used in electrical circuits that require high safety, reliability functions or performance, the sufficient reliability evaluation-check for the safety must be performed before by the user before usage.

A

B

C

RoHS Compliant

G				PROJECTION: 	GENERAL TOLERANCE .X = +/- 0.2 .XX = +/- 0.15		
F							
E							
D							
C				APPROVAL: JC	UNIT: MM	DESCRIPTION: DISCLAIMER	SIZE <b>A4</b>
B					SCALE:		
A	10-SEP-14	PDF	QL		SHEET: 3/3	WERI PART NO: DISCLAIMER	
REV	DATE	FILE	BY		DRAW: QL		

D

# Mouser Electronics

Authorized Distributor

Click to View Pricing, Inventory, Delivery & Lifecycle Information:

[Wurth Elektronik:](#)

[691381000008](#)