

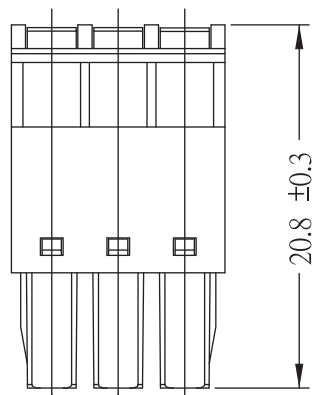
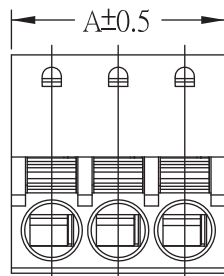
1

2

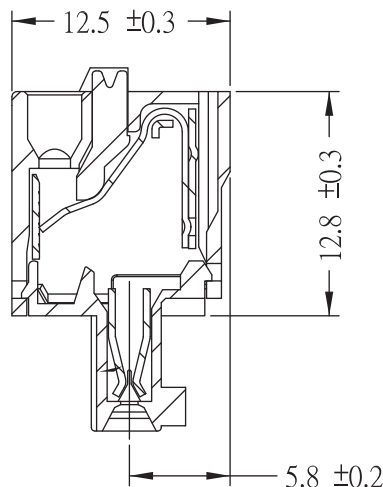
3

4

5



3.81 ±0.1



Pitch:3.81mm	
Poles	A(mm)
2	8.42
3	12.23
4	16.04
5	19.85
6	23.66
7	27.47
8	31.28
9	35.09
10	38.90
11	42.71
12	46.52
14	54.14

## TECHNICAL CHARACTERISTICS

MATERIAL  
 INSULATOR: PA 66  
 FLAMABILITY RATING: UL94-V0  
 COLOR: GREEN & ORANGE  
 METAL SPRING: STAINLESS STRIP STEEL  
 WIRE GUARD: PhBz TIN PLATED

ENVIRONMENTAL  
 OPERATING TEMPERATURE: -40 UP TO 115°C  
 COMPLIANCE: LEAD FREE AND ROHS

ELECTRICAL  
 CURRENT RATING: 8A  
 WORKING VOLTAGE: 300VAC  
 WITHSTANDING VOLTAGE: 2.0KV  
 CONTACT RESISTANCE: 20 mOhm max

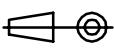

STANDARD  
 cULus CERTIFIED E315414

MECHANICAL  
 SOLID WIRE: 28-16 AWG / 0.081-1.31 MM<sup>2</sup>  
 STRANDED WIRE: 28-16 AWG / 0.081-1.31 MM<sup>2</sup>

WIRE STRIPE LENGTH: 9 MM  
 PITCH: 3.81 MM

PACKAGING  
 BOX

RoHS Compliant

G				PROJECTION: 	GENERAL TOLERANCE .X = +/- 0.2 .XX = +/- 0.15		
F							
E							
D							
C	01-FEB-17	UPDATE	ES	APPROVAL: RJ	UNIT: MM	DESCRIPTION: SERIE 368B - 3.81MM Scewless Vertical Cable Entry Plug	
B	02-JUL-13	STANDARD POLES	QL		SCALE:		
A	20-JUN-12	PDF	GG		SHEET: 1/2	WERI PART NO: 691 368 300 0xx B	SIZE <b>A4</b>
REV	DATE	FILE	BY		DRAW: MARVIN		

1

2

3

4

5

## Cautions and Warnings:

This electronic component is designed and developed with the intention for use in general electronics equipments.

Before incorporating the components into any equipments in the field such as aerospace, aviation, nuclear control, submarine, transportation, (automotive control, train control, ship control), transportation signal, disaster prevention, medical, public information network etc. where higher safety and reliability are especially required or if there is possibility of direct damage or injury to human body, Würth Elektronik must be asked for a written approval.

In addition, even electronic component in general electronic equipments, when used in electrical circuits that require high safety, reliability functions or performance, the sufficient reliability evaluation-check for the safety must be performed before by the user before usage.

A

B

C

RoHS Compliant

G				PROJECTION: 	GENERAL TOLERANCE .X = +/- 0.2 .XX = +/- 0.15		
F							
E							
D							
C				APPROVAL: JC	UNIT: MM	DESCRIPTION: DISCLAIMER	SIZE <b>A4</b>
B					SCALE:		
A	10-SEP-14	PDF	QL		SHEET: 2/2	WERI PART NO: DISCLAIMER	
REV	DATE	FILE	BY		DRAW: QL		

D

# Mouser Electronics

Authorized Distributor

Click to View Pricing, Inventory, Delivery & Lifecycle Information:

[Wurth Elektronik:](#)

[691368300002B](#)