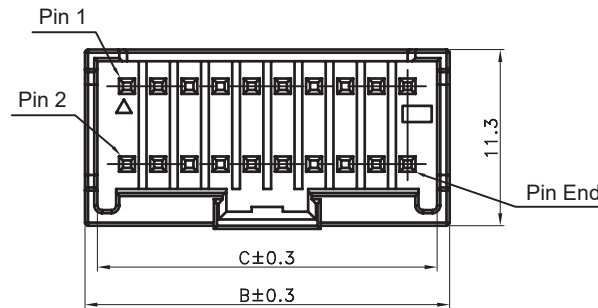
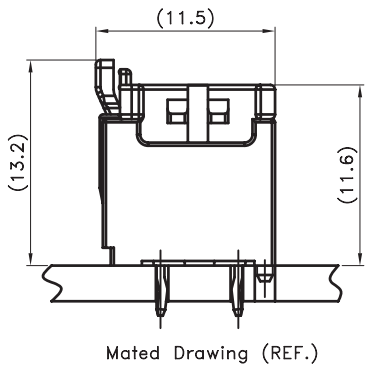


Recommended PCB Layout(Top View)



TECHNICAL CHARACTERISTICS

MATERIAL  
 INSULATOR: PBT  
 FLAMMABILITY RATING: UL94-V0  
 COLOR: WHITE  
 CONTACT MATERIAL: COPPER ALLOY  
 CONTACT TYPE: STAMPED  
 CONTACT PLATING: TIN  
 QUALITY CLASS: 25 MATING CYCLES  
 PITCH: 2.00 MM

ENVIRONMENTAL  
 OPERATING TEMPERATURE: -25 UP TO 85°C  
 COMPLIANCE: LEAD FREE AND ROHS

ELECTRICAL  
 CURRENT RATING: 3 A  
 WORKING VOLTAGE: 250 VAC  
 INSULATOR RESISTANCE: >1000 MOHM  
 DIELECTRIC WITHSTANDING VOLTAGE: 1000 VAC/MN  
 CONTACT RESISTANCE: 20 MOHM MAX

STANDARD  
 RoHS CERTIFIED: E323964

SOLDERING  
 JEDEC LEAD FREE WAVE SOLDERING

PACKAGING  
 TUBE

| Poles | Dimensions (mm) |      |      | Poles | Dimensions (mm) |      |      |
|-------|-----------------|------|------|-------|-----------------|------|------|
|       | A               | B    | C    |       | A               | B    | C    |
| 4x2   | 6.0             | 11.4 | 9.8  | 13x2  | 24.0            | 29.4 | 27.8 |
| 5x2   | 8.0             | 13.4 | 11.8 | 14x2  | 26.0            | 31.4 | 29.8 |
| 6x2   | 10.0            | 15.4 | 13.8 | 15x2  | 28.0            | 33.4 | 31.8 |
| 7x2   | 12.0            | 17.4 | 15.8 | 16x2  | 30.0            | 35.4 | 33.8 |
| 8x2   | 14.0            | 19.4 | 17.8 | 17x2  | 32.0            | 37.4 | 35.8 |
| 9x2   | 16.0            | 21.4 | 19.8 | 18x2  | 34.0            | 39.4 | 37.8 |
| 10x2  | 18.0            | 23.4 | 21.8 | 19x2  | 36.0            | 41.4 | 39.8 |
| 11x2  | 20.0            | 25.4 | 23.8 | 20x2  | 38.0            | 43.4 | 41.8 |
| 12x2  | 22.0            | 27.4 | 25.8 |       |                 |      |      |

|     |           |      |    |
|-----|-----------|------|----|
| N   |           |      |    |
| M   |           |      |    |
| L   |           |      |    |
| K   |           |      |    |
| J   |           |      |    |
| I   |           |      |    |
| H   | 17-APR-17 | TPK  | AK |
| REV | DATE      | FILE | BY |

PROJECTION:

APPROVAL: BBu

GENERAL TOLERANCE  
 .X = +/- 0.3  
 .XX = +/- 0.2

UNIT: MM  
 SCALE:  
 SHEET: 1/3  
 DRAW: MIKE

DESCRIPTION: 2.00 MM DUAL ROW MALE VERTICAL SHROUDED HEADER

WERI PART NO: 624 0xx 216 22

SIZE  
**A4**

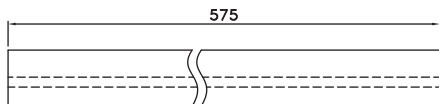
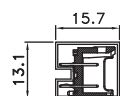
1

2

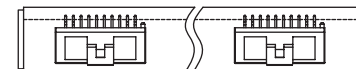
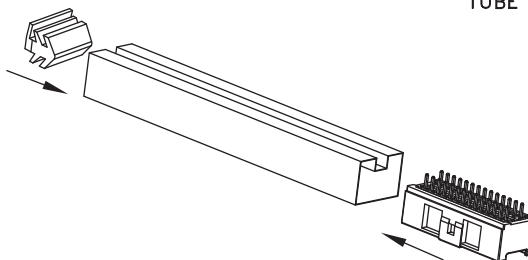
3

4

5

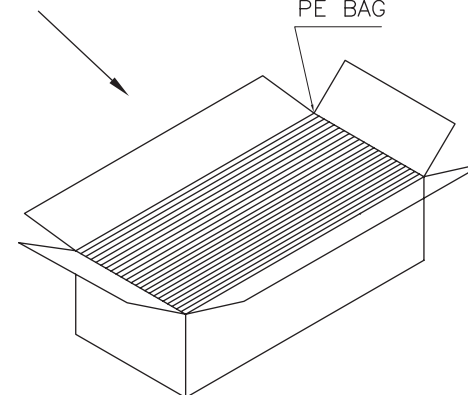
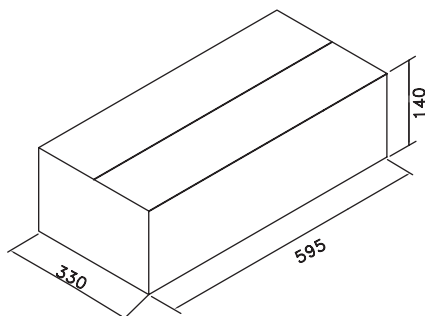


TUBE PACKING



CARTON PACKING

PE BAG



180TUBES/1CARTON

| Poles | TUBE Quantity (pcs) | CARTON Quantity (pcs) | Poles | TUBE Quantity (pcs) | CARTON Quantity (pcs) | Poles | TUBE Quantity (pcs) | CARTON Quantity (pcs) |
|-------|---------------------|-----------------------|-------|---------------------|-----------------------|-------|---------------------|-----------------------|
| 4x2   | 47                  | 8460                  | 10x2  | 23                  | 4140                  | 16x2  | 15                  | 2700                  |
| 5x2   | 40                  | 7200                  | 11x2  | 21                  | 3780                  | 17x2  | 14                  | 2520                  |
| 6x2   | 35                  | 6300                  | 12x2  | 20                  | 3600                  | 18x2  | 13                  | 2340                  |
| 7x2   | 31                  | 5580                  | 13x2  | 18                  | 3240                  | 19x2  | 13                  | 2340                  |
| 8x2   | 27                  | 4860                  | 14x2  | 17                  | 3060                  | 20x2  | 12                  | 2160                  |
| 9x2   | 25                  | 4500                  | 15x2  | 16                  | 2880                  |       |                     |                       |

|     |      |      |    |
|-----|------|------|----|
| G   |      |      |    |
| F   |      |      |    |
| E   |      |      |    |
| D   |      |      |    |
| C   |      |      |    |
| B   |      |      |    |
| A   |      |      |    |
| REV | DATE | FILE | BY |

PROJECTION:



GENERAL TOLERANCE

.X = +/- 0.2

.XX = +/- 0.15



APPROVAL: BBu

UNIT: MM

SCALE:

SHEET: 2/3

DRAW: MIKE

DESCRIPTION: 2.00MM MALE DUAL ROWS HORIZONTAL SHROUDED HEADER

WERI PART NO: 624 0xx 216 22

SIZE

A4

A

B

C

D

1

2

3

4

5

## Cautions and Warnings:

This electronic component is designed and developed with the intention for use in general electronics equipments.

Before incorporating the components into any equipments in the field such as aerospace, aviation, nuclear control, submarine, transportation, (automotive control, train control, ship control), transportation signal, disaster prevention, medical, public information network etc. where higher safety and reliability are especially required or if there is possibility of direct damage or injury to human body, Würth Elektronik must be asked for a written approval.

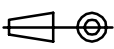

In addition, even electronic component in general electronic equipments, when used in electrical circuits that require high safety, reliability functions or performance, the sufficient reliability evaluation-check for the safety must be performed before by the user before usage.

A

B

C

RoHS Compliant

|     |           |      |    |  |   |  |                   |
|-----|-----------|------|----|--|---|--|-------------------|
| G   |           |      |    | PROJECTION:<br> | GENERAL TOLERANCE<br>.X = +/- 0.2<br>.XX = +/- 0.15 | <br><b>WÜRTH ELEKTRONIK</b> |                   |
| F   |           |      |    |  |   |  |                   |
| E   |           |      |    |  |   |  |                   |
| D   |           |      |    |  |   |  |                   |
| C   |           |      |    | APPROVAL: JC   | UNIT: MM  | DESCRIPTION: DISCLAIMER  | SIZE<br><b>A4</b> |
| B   |           |      |    |  | SCALE:  |  |                   |
| A   | 10-SEP-14 | PDF  | QL |  | SHEET: 3/3  | WERI PART NO: DISCLAIMER   |                   |
| REV | DATE      | FILE | BY |  | DRAW: QL  |  |                   |

D

# Mouser Electronics

Authorized Distributor

Click to View Pricing, Inventory, Delivery & Lifecycle Information:

[Wurth Elektronik:](#)

[62403821622](#)