



## Easily bring power and charging right where you need it

RFPCUAUC-xx, RFPCUAUC-xx, RFPCRUIAUC-xx10, RFPCUAUC-xx10

The world today runs on mobile devices. In fact, the average person carries more than 3 devices on them at once. Keeping these mobile devices charged is critical to both personal and professional success.

Round Furniture Power Centers allow you to conveniently bring power and charging right to the spaces where people work and play, all in a compact, aesthetically pleasing package. Office lobbies, waiting rooms, cafeterias, restaurants/bars, lecture halls, transportation hubs, guest rooms, etc. can benefit from the installation of Round Furniture Power Centers.

## Features & Benefits

- **Two Options Available.** **Option 1** has one (1) tamper-resistant receptacle plus one (1) USB Type A outlet and one (1) USB Type C outlet, **Option 2** has one (1) USB Type A charging port and one (1) USB Type C charging port.
- **Fast Device Charging.** All models provide two USB charging ports (5V, 3.1A total) one USB Type A and one USB Type C, ensuring that all of your devices charge as quickly as possible.
- **Versatile.** Compact, low profile design allows you to mount the unit in more places than ever before.
- **UL Spill Water Compliant.** Passed UL 962A spill water test requirements so it can even be used in a horizontal surface such as a table top.
- **Beautiful.** Available in three attractive radiant finishes, Black, White and Nickel, so you can match or complement any furniture style.
- **Easy to Install.** Mounts into a grommet hole. Installation is a snap: Use a hole saw to cut the opening, insert and screw the unit into place.
- **FCC Compliance.** This device complies with part 15 of the FCC Rules. Operation is subject to the following two conditions: (1) This device may not cause harmful interference, and (2) this device must accept any interference received, including interference that may cause undesired operation.
- **ETL Listed.** Listed to both US and Canadian safety standards.



## Compliance

cETLus Meets UL962A the standard for Furniture Power Distribution Units and CSA C22.2 No. 42.1, the standard for Cord Sets and Power Supply Cords. All models passed the Spill Test for UL962A and are suitable for installation on horizontal surfaces.

TECHNICAL SPECIFICATIONS

**3rd Party Compliance**

cETLus Listed to UL962A, the Standard for Furniture Power Distribution Units and CSA C22.2 No. 21, the standard for Cord Sets and Power Supply Cords

**Performance**

**ELECTRICAL**

Electrical	Outlets rated 15A, 125Vac
Cord Set	6' (1.83m) or 10' (3.05m), SJT 14/3 right angle 5-15P
USB	5Vdc, 3.1A Shared

**MECHANICAL**

Mounting	Mounts in vertical or horizontal position Any material 1/4" to 1 3/4" (6.4mm to 44mm ) thick
----------	---

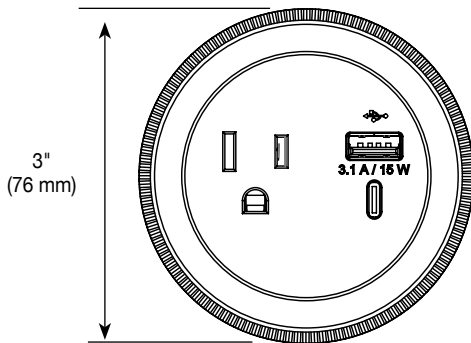
**ENVIRONMENTAL**

Operating Temperature	0°C to 65°C (32°F to 149°F)
Storage Temperature	-35°C to 85°C (-31°F to 185°F)

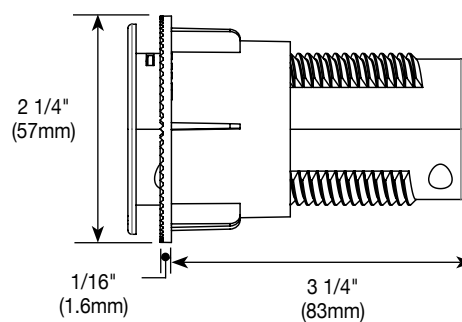
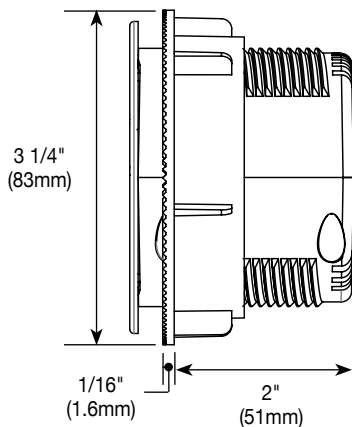
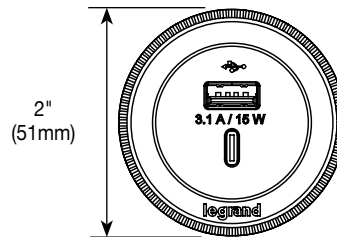
**Warranty**

One Year

**RFPCRUAUC**

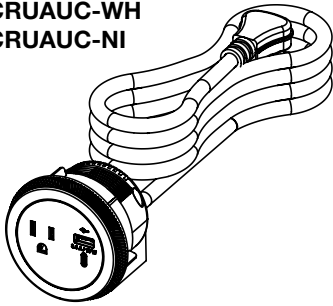


**RFPCUAUC**



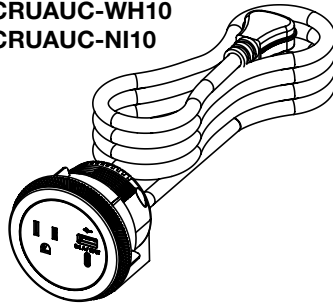
**Ordering Information**

**RFPCUAUC-BK**  
**RFPCUAUC-WH**  
**RFPCUAUC-NI**



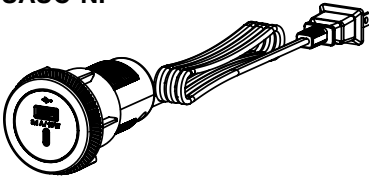
**Receptacle & USB Unit** – One (1) tamper-resistant (TR) receptacles and two (2) fast charging USB ports, one USB A and one USB C. 6' (1.83m) cord. Receptacles rated 15A, 125Vac. USB ports rated 5Vdc, 3.1A total. Overall dimensions 2 1/8" x 3" x 3" deep (54mm x 76mm.x.76mm). Requires a hole cut of 2 1/2" (64mm) diameter. Available in black (RFPCUAUC-BK), white (RFPCUAUC-WH) and nickel (RFPCUAUC-NI).

**RFPCUAUC-BK10**  
**RFPCUAUC-WH10**  
**RFPCUAUC-NI10**



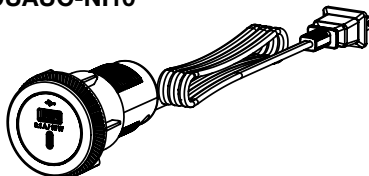
**Receptacle & USB Unit** – One (1) tamper-resistant (TR) receptacles and two (2) fast charging USB ports, one USB A and one USB C. 10' (3.05m) cord. Receptacles rated 15A, 125Vac. USB ports rated 5Vdc, 3.1A total. Overall dimensions 2 1/8" x 3" x 3" deep (54mm x 76mm.x.76mm). Requires a hole cut of 2 1/2" (64mm) diameter. Available in black (RFPCUAUC-BK10), white (RFPCUAUC-WH10) and nickel (RFPCUAUC-NI10).

**RFPCUAUC-BK**  
**RFPCUAUC-WH**  
**RFPCUAUC-NI**



**USB Charging Unit** – Two (2) fast charging USB ports, one USB A and one USB C. 6' (1.83m) cord. USB ports rated 5Vdc, 3.1A total. Overall dimensions 3 3/8" x 2" x 2" deep (86mm x 51mm.x.51mm). Requires a hole cut of 1 1/2" (38mm) diameter. Available in black (RFPCUAUC-BK), white (RFPCUAUC-WH) and nickel (RFPCUAUC-NI).

**RFPCUAUC-BK10**  
**RFPCUAUC-WH10**  
**RFPCUAUC-NI10**



**USB Charging Unit** – Two (2) fast charging USB ports, one USB A and one USB C. 10' (3.05m) cord. USB ports rated 5Vdc, 3.1A total. Overall dimensions 3 3/8" x 2" x 2" deep (86mm x 51mm.x.51mm). Requires a hole cut of 1 1/2" (38mm) diameter. Available in black (RFPCUAUC-BK10), white (RFPCUAUC-WH10) and nickel (RFPCUAUC-NI10).

## Complementary Devices & Accessories



### radiant® Collection

The radiant collection of switches, outlets and dimmers by Legrand puts that stylish finishing touch affordably within reach. Radiant gets rid of unsightly screws, delivering clean looks in a range of colors and metallic finishes.



### adore® Furniture Power Center

Providing power, USB charging and lighting control in your high end furniture has never been easier. Just install the appropriate adorne Furniture Power Center in your furniture and plug in your light fixture. Perfect for headboards, nightstands, desks, side tables, etc. Models are available to switch any cord connected lighting load. There are also models that will dim cord connected incandescent, halogen, CFL/LED and ELV fixtures, up to 450W.



### adore® Collection

The adorne collection by Legrand combines the world's most innovative light switches and outlets with an array of stylish and custom finishes.



### deQuorum™ Flip-Up Table Boxes

deQuorum™ Flip-Up Table Boxes bring ready access to power and USB charging to work surfaces, desks, night stands and any other horizontal surface. Horizontal surfaces are prone to spills from liquids. Recognizing that accidents often happen, deQuorum Flip-Up Table Boxes have been designed and rated specifically to perform in these areas.

## Vertical Markets

- Retail
- Commercial Office
- Multi-Dwelling Units
- Worship
- Hospitality
- Municipal
- Education
- Transportation

**NOTE: All brand and product names referenced in this document are registered trademarks or trademarks of their respective holders.**

**NOTE:** The paper used to print this document is an environmentally responsible paper with 10% post consumer waste, with FSC and SFI Chain of Custody certifications, Lacey Act compliant. 100% of the electricity used to manufacture Flo sheets is generated with Green-e certified renewable energy.



**Legrand, North America**  
 60 Woodlawn Street  
 West Hartford, CT 06110  
 1.877.BY.LEGRAND (295.3472)  
[www.legrand.us](http://www.legrand.us)

**Canada**  
 905.738.9195  
[www.legrand.ca](http://www.legrand.ca)

FOLLOW US



# Mouser Electronics

Authorized Distributor

Click to View Pricing, Inventory, Delivery & Lifecycle Information:

## Wiremold:

[RFPCRUAUC-BK](#) [RFPCRUAUC-BK10](#) [RFPCRUAUC-NI](#) [RFPCRUAUC-NI10](#) [RFPCRUAUC-WH](#) [RFPCRUAUC-](#)  
[WH10](#) [RFPCUAUC-BK](#) [RFPCUAUC-BK10](#) [RFPCUAUC-NI](#) [RFPCUAUC-NI10](#) [RFPCUAUC-WH](#) [RFPCUAUC-WH10](#)