

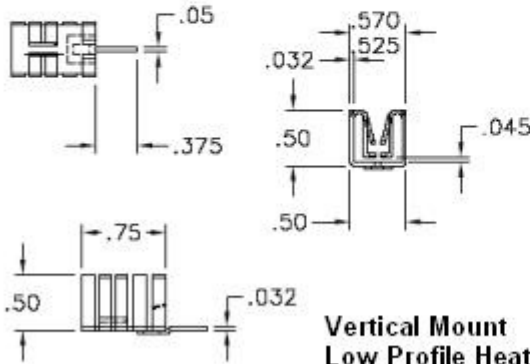
Product Number: 262-75AB375



Wakefield Part #26275AB375E
Used Commonly for T0-220 Package

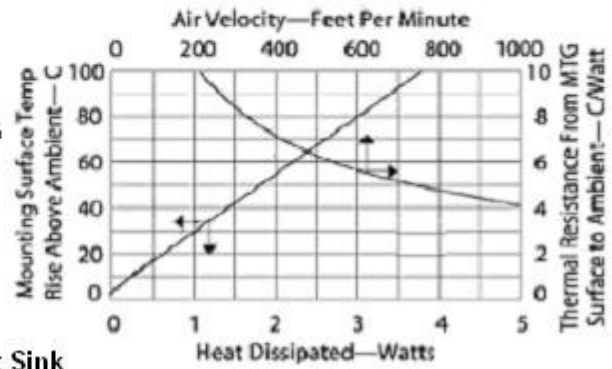
**RoHS
Compliant**

MECHANICAL DIMENSIONS



**Vertical Mount
Low Profile Heat Sink
Solderable Tab for
Mounting**

**NATURAL AND FORCED
CONVECTION CHARACTERISTICS**



**Material- Aluminum
Finish- Black Anodize**

Mouser Electronics

Authorized Distributor

Click to View Pricing, Inventory, Delivery & Lifecycle Information:

[Wakefield Thermal:](#)

[262-75ABE375](#)