

Precision Monolithic Quad SPST Low-Voltage CMOS Analog Switches

DESCRIPTION

The DG441L, DG442L are low voltage pin-for-pin compatible companion devices to the industry standard DG441L, DG442L with improved performance.

Using BiCMOS wafer fabrication technology allows the DG441L, DG442L to operate on single and dual supplies. Single supply voltage ranges from 3 V to 12 V while dual supply operation is recommended with ± 3 V to ± 6 V.

Combining high speed (t_{ON} : 20 ns), flat $R_{DS(on)}$ over the analog signal range (5Ω), minimal insertion lose (-3 dB at 280 MHz), and excellent crosstalk and off-isolation performance (-50 dB at 50 MHz), the DG441L, DG442L are ideally suited for audio and video signal switching.

The DG441L, DG442L responds to opposite control logic as shown in the Truth Table open and two normally closed switches.

FEATURES

- **Halogen-free according to IEC 61249-2-21 Definition**
- 2.7 V thru 12 V single supply or ± 3 V thru ± 6 V dual supply
- On-resistance - $R_{DS(on)}$: 17Ω
- Fast switching - t_{ON} : 20 ns
- t_{OFF} : 12 ns
- TTL, CMOS compatible
- Low leakage: 0.25 nA
- 2000 V ESD protection
- **Compliant to RoHS Directive 2002/95/EC**



RoHS
COMPLIANT
HALOGEN
FREE

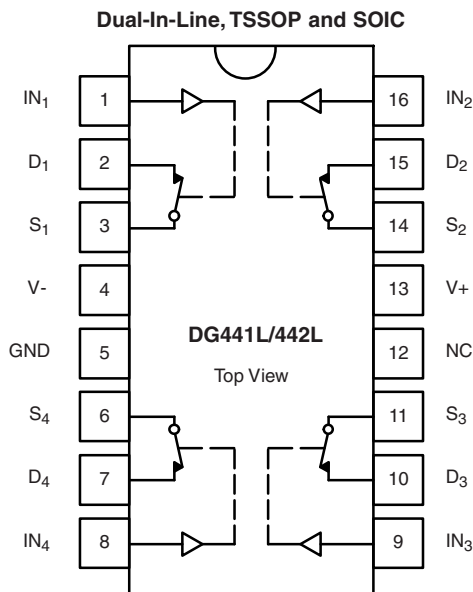
BENEFITS

- Widest dynamic range
- Low signal errors and distortion
- Break-before-make switching action
- Simple interfacing

APPLICATIONS

- Precision automatic test equipment
- Precision data acquisition
- Communication systems
- Battery powered systems
- Computer peripherals
- SDSL, DSLAM
- Audio and video signal routing

FUNCTIONAL BLOCK DIAGRAM AND PIN CONFIGURATION



TRUTH TABLE

| Logic | DG441L | DG442L |
|-------|--------|--------|
| 0 | On | Off |
| 1 | Off | On |

Logic "0" ≤ 0.8 V
Logic "1" ≥ 2.4 V

ORDERING INFORMATION

| Temp. Range | Package | Part Number |
|-------------------|--------------------|------------------------|
| - 40 °C to 85 °C | 16-pin TSSOP | DG441LDQ-T1-E3 |
| | | DG442LDQ-T1-E3 |
| | 16-pin narrow SOIC | DG441LDY-T1-E3 |
| - 55 °C to 125 °C | 16-pin CerDIP | DG441LAK, DG441LAK/883 |
| | | DG442LAK, DG442LAK/883 |
| | LCC-20 | DG441LAZ/883 |
| | | DG442LAZ/883 |

| ABSOLUTE MAXIMUM RATINGS ($T_A = 25\text{ }^\circ\text{C}$, unless otherwise noted) | | | |
|--|--------------------------------------|--|------|
| Parameter | Symbol | Limit | Unit |
| V + to V - | | - 0.3 to 13 | V |
| GND to V - A | | 7 | |
| Digital Inputs ^a V_S, V_D | | GND - 0.3 to (V +) + 0.3 or 30 mA, whichever occurs first | |
| Continuous Current (any terminal) | | 30 | mA |
| Current, S or D (pulsed 1 ms, 10 % duty cycle) | | 100 | |
| Storage Temperature | (DQ, DY suffix) | - 65 to 125 | °C |
| | (AK suffix) | - 65 to 150 | |
| Power Dissipation (Packages) ^b | 16-pin TSSOP ^c | 450 | mW |
| | 16-pin narrow Body SOIC ^d | 650 | |
| | 16-pin CerDIP ^e | 900 | |

Notes:

- a. Signals on $S_X, D_X,$ or IN_X exceeding V+ or V- will be clamped by internal diodes. Limit forward diode current to maximum current ratings.
- b. All leads welded or soldered to PC board.
- c. Derate 7 mW/°C above 75 °C
- d. Derate 7.6 mW/°C above 75 °C
- e. Derate 12 mW/°C above 75 °C.

| SPECIFICATIONS^a (Single Supply 12 V) | | | | | | | | | |
|--|---------------------|---|--------------------|-------------------|--------------------------------------|-------------------|-------------------------------------|-------------------|------|
| Parameter | Symbol | Test Conditions Unless Otherwise Specified $V_+ = 12\text{ V}, V_- = 0\text{ V}$ $V_{IN} = 2.4\text{ V}, 0.8\text{ V}^f$ | Temp. ^b | Typ. ^c | A Suffix Limits - 55 °C to 125 °C | | D Suffix Limits - 40 °C to 85 °C | | Unit |
| | | | | | Min. ^d | Max. ^d | Min. ^d | Max. ^d | |
| Analog Switch | | | | | | | | | |
| Analog Signal Range ^e | V_{ANALOG} | | Full | | 0 | 12 | 0 | 12 | V |
| Drain-Source On-Resistance | $R_{DS(on)}$ | $V_+ = 10.8\text{ V}, V_- = 0\text{ V}$ $I_S = 10\text{ mA}, V_D = 2/9\text{ V}$ | Room Full | 20 | | 30 45 | | 30 40 | Ω |
| On-Resistance Match Between Channels ^e | $\Delta R_{DS(on)}$ | $I_S = 10\text{ mA}, V_D = 9\text{ V}$ | Room | 0.1 | | 0.5 | | 0.5 | |
| Switch Off Leakage Current | $I_{S(off)}$ | $V_D = 1/11\text{ V}, V_S = 11/1\text{ V}$ | Room Full | | - 1 - 15 | 1 15 | - 1 - 10 | 1 10 | nA |
| | $I_{D(off)}$ | | Room Full | | - 1 - 15 | 1 15 | - 1 - 10 | 1 10 | |
| Channel On Leakage Current | $I_{D(on)}$ | $V_S = V_D = 11/1\text{ V}$ | Room Full | | - 1 - 15 | 1 15 | - 1 - 10 | 1 10 | |
| Digital Control | | | | | | | | | |
| Input Current, V_{IN} Low | I_{IL} | V_{IN} Under Test = 0.8 V | Full | 0.01 | - 1.5 | 1.5 | - 1 | 1 | μA |
| Input Current, V_{IN} High | I_{IH} | V_{IN} Under Test = 2.4 V | Full | | - 1.5 | 1.5 | - 1 | 1 | |
| Dynamic Characteristics | | | | | | | | | |
| Turn-On Time | t_{ON} | $R_L = 300\text{ } \Omega, C_L = 35\text{ pF}$ $V_S = 5\text{ V},$ see figure 2 | Room Full | 20 | | 60 80 | | 60 70 | ns |
| Turn-Off Time | t_{OFF} | | Room Full | 12 | | 35 50 | | 35 45 | |
| Charge Injection ^e | Q | $V_g = 0\text{ V}, R_g = 0\text{ } \Omega, C_L = 10\text{ nF}$ | Room | 5 | | | | | pC |
| Off Isolation ^e | OIRR | $R_L = 50\text{ } \Omega, C_L = 5\text{ pF}, f = 1\text{ MHz}$ | Room | 71 | | | | | dB |
| Channel-to-Channel Crosstalk ^e | X_{TALK} | | Room | 95 | | | | | |
| Source Off Capacitance ^e | $C_{S(off)}$ | f = 1 MHz | Room | 5 | | | | | pF |
| Drain Off Capacitance ^e | $C_{D(off)}$ | | Room | 6 | | | | | |
| Channel On Capacitance ^e | $C_{D(on)}$ | | Room | 15 | | | | | |
| Power Supplies | | | | | | | | | |
| Positive Supply Current | I+ | $V_{IN} = 0\text{ V or } 12\text{ V}$ | Full | 0.03 | | 1.5 | | 1 | μA |
| Negative Supply Current | I- | | Room Full | - 0.002 | - 1 - 7.5 | | - 1 - 5 | | |
| Ground Current | I_{GND} | | Full | - 0.002 | - 1.5 | | - 1 | | |



| SPECIFICATIONS^a (Dual Supply ± 5 V) | | | | | | | | | |
|---|---------------------|---|--------------------|-------------------|-------------------------------------|-------------------|------------------------------------|-------------------|----------|
| Parameter | Symbol | Test Conditions Unless Otherwise Specified $V_+ = +5$ V, $V_- = -5$ V $V_{IN} = 2.4$ V, 0.8 V ^f | Temp. ^b | Typ. ^c | A Suffix Limits -55 °C to 125 °C | | D Suffix Limits -40 °C to 85 °C | | Unit |
| | | | | | Min. ^d | Max. ^d | Min. ^d | Max. ^d | |
| Analog Switch | | | | | | | | | |
| Analog Signal Range ^e | V_{ANALOG} | | Full | | -5 | 5 | -5 | 5 | V |
| Drain-Source On-Resistance | $R_{DS(on)}$ | $V_+ = +5$ V, $V_- = -5$ V $I_S = 10$ mA, $V_D = \pm 3.5$ V | Room Full | 20 | | 33 45 | | 33 40 | Ω |
| On-Resistance Match Between Channels ^e | $\Delta R_{DS(on)}$ | $I_S = 10$ mA, $V_D = \pm 3.5$ V | Room | 0.1 | | 0.5 | | 0.5 | |
| Switch Off Leakage Current ^g | $I_{S(off)}$ | $V_+ = +5.5$ V, $V_- = -5.5$ V $V_D = \pm 4.5$ V, $V_S = \pm 4.5$ V | Room Full | | -1 -15 | 1 15 | -1 -10 | 1 10 | nA |
| | $I_{D(off)}$ | | Room Full | | -1 -15 | 1 15 | -1 -10 | 1 10 | |
| Channel On Leakage Current ^g | $I_{D(on)}$ | $V_+ = +5.5$ V, $V_- = -5.5$ V $V_S = V_D = \pm 4.5$ V | Room Full | | -1 -15 | 1 15 | -1 -10 | 1 10 | |
| Digital Control | | | | | | | | | |
| Input Current, V_{IN} Low ^e | I_{IL} | V_{IN} Under Test = 0.8 V | Full | 0.05 | -1.5 | 1.5 | -1 | 1 | μ A |
| Input Current, V_{IN} High ^e | I_{IH} | V_{IN} Under Test = 2.4 V | Full | 0.05 | -1.5 | 1.5 | -1 | 1 | |
| Dynamic Characteristics | | | | | | | | | |
| Turn-On Time | t_{ON} | $R_L = 300$ Ω , $C_L = 35$ pF $V_S = \pm 3.5$ V, see figure 2 | Room Full | 21 | | 60 83 | | 60 70 | ns |
| Turn-Off Time | t_{OFF} | | Room Full | 16 | | 35 55 | | 35 45 | |
| Charge Injection ^e | Q | $V_g = 0$ V, $R_g = 0$ Ω , $C_L = 10$ nF | Room | 5 | | | | | pC |
| Off Isolation ^e | OIRR | $R_L = 50$ Ω , $C_L = 5$ pF, $f = 1$ MHz | Room | 68 | | | | | dB |
| Channel-to-Channel Crosstalk ^e | X_{TALK} | | Room | 85 | | | | | |
| Source Off Capacitance ^e | $C_{S(off)}$ | $f = 1$ MHz | Room | 9 | | | | | pF |
| Drain Off Capacitance ^e | $C_{D(off)}$ | | Room | 9 | | | | | |
| Channel On Capacitance ^e | $C_{D(on)}$ | | Room | 20 | | | | | |
| Power Supplies | | | | | | | | | |
| Positive Supply Current ^e | I_+ | $V_{IN} = 0$ V or 5 V | Full | 0.002 | | 1.5 | | 1 | μ A |
| Negative Supply Current ^e | - | | Room Full | -0.002 | -1 -7.5 | | -1 -5 | | |
| Ground Current ^e | I_{GND} | | Full | -0.002 | -1.5 | | -1 | | |

| SPECIFICATIONS^a (Single Supply 5 V) | | | | | | | | | |
|---|---------------------|--|--------------------|-------------------|--------------------------------------|-------------------|-------------------------------------|-------------------|---------------|
| Parameter | Symbol | Test Conditions Unless Otherwise Specified $V_+ = 5\text{ V}$, $V_- = 0\text{ V}$ $V_{IN} = 2.4\text{ V}$, 0.8 V^f | Temp. ^b | Typ. ^c | A Suffix Limits - 55 °C to 125 °C | | D Suffix Limits - 40 °C to 85 °C | | Unit |
| | | | | | Min. ^d | Max. ^d | Min. ^d | Max. ^d | |
| Analog Switch | | | | | | | | | |
| Analog Signal Range ^e | V_{ANALOG} | | Full | | | 5 | | 5 | V |
| Drain-Source On-Resistance ^e | $R_{DS(on)}$ | $V_+ = 4.5\text{ V}$ $I_S = 5\text{ mA}$, $V_D = 1\text{ V}$, 3.5 V | Room Full | 35 | | 50 88 | | 50 75 | Ω |
| On-Resistance Match Between Channels ^e | $\Delta R_{DS(on)}$ | $I_S = 10\text{ mA}$, $V_D = 3.5\text{ V}$ | Room | 0.5 | | 1 | | 1 | |
| Dynamic Characteristics | | | | | | | | | |
| Turn-On Time ^e | t_{ON} | $R_L = 300\ \Omega$, $C_L = 35\text{ pF}$ $V_S = 3.5\text{ V}$, see figure 2 | Room Hot | 27 | | 50 90 | | 50 60 | ns |
| Turn-Off Time ^e | t_{OFF} | | Room Hot | 15 | | 30 55 | | 30 40 | |
| Charge Injection ^e | Q | $V_g = 0\text{ V}$, $R_g = 0\ \Omega$, $C_L = 10\text{ nF}$ | Room | 0.5 | | | | | pC |
| Power Supplies | | | | | | | | | |
| Positive Supply Current ^e | I + | $V_{IN} = 0\text{ V}$ or 5 V | Full | 10 | | 200 | | 100 | μA |
| Negative Supply Current ^e | I - | | Room Full | - 0.002 | - 1 - 7.5 | | - 1 - 5 | | |
| Ground Current ^e | I_{GND} | | Full | - 10 | - 200 | | - 100 | | |



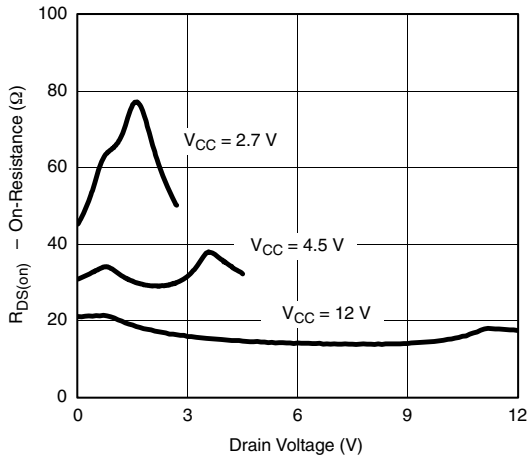
| SPECIFICATIONS ^a (Single Supply 3 V) | | | | | | | | | |
|---|---------------------|--|--------------------|-------------------|-------------------------------------|-------------------|------------------------------------|-------------------|---------------|
| Parameter | Symbol | Test Conditions Unless Otherwise Specified $V_+ = 3\text{ V}, V_- = 0\text{ V}$ $V_{IN} = 0.4\text{ V}^f$ | Temp. ^b | Typ. ^c | A Suffix Limits -55 °C to 125 °C | | D Suffix Limits -40 °C to 85 °C | | Unit |
| | | | | | Min. ^d | Max. ^d | Min. ^d | Max. ^d | |
| Analog Switch | | | | | | | | | |
| Analog Signal Range ^e | V_{ANALOG} | | Full | | 0 | 3 | 0 | 3 | V |
| Drain-Source On-Resistance | $R_{DS(on)}$ | $V_+ = 2.7\text{ V}, V_- = 0\text{ V}$ $I_S = 5\text{ mA}, V_D = 0.5, 2.2\text{ V}$ | Room Full | 65 | | 80 115 | | 80 100 | Ω |
| On-Resistance Match Between Channels ^e | $\Delta R_{DS(on)}$ | $I_S = 5\text{ mA}, V_D = 2.2\text{ V}$ | Room | 1 | | 3 | | 3 | |
| Switch Off Leakage Current ^g | $I_{S(off)}$ | $V_+ = 3.3, V_- = 0\text{ V}$ $V_D = 1, 2\text{ V}, V_S = 2, 1\text{ V}$ | Room Full | | -1 -15 | 1 15 | -1 -10 | 1 10 | nA |
| | $I_{D(off)}$ | | Room Full | | -1 -15 | 1 15 | -1 -10 | 1 10 | |
| Channel On Leakage Current ^g | $I_{D(on)}$ | $V_+ = 3.3\text{ V}, V_- = 0\text{ V}$ $V_S = V_D = 1, 2\text{ V}$ | Room Full | | -1 -15 | 1 15 | -1 -10 | 1 10 | |
| Digital Control | | | | | | | | | |
| Input Current, V_{IN} Low ^e | I_{IL} | V_{IN} under test = 0.4 V | Full | 0.005 | -1.5 | 1.5 | -1 | 1 | μA |
| Input Current, V_{IN} High ^e | I_{IH} | V_{IN} under test = 2.4 V | Full | 0.005 | -1.5 | 1.5 | -1 | 1 | |
| Dynamic Characteristics | | | | | | | | | |
| Turn-On Time | t_{ON} | $R_L = 300\ \Omega, C_L = 35\text{ pF}$ $V_S = 1.5\text{ V},$ see figure 2 | Room Full | 50 | | 136 175 | | 136 151 | ns |
| Turn-Off Time | t_{OFF} | | Room Full | 30 | | 100 140 | | 100 125 | |
| Charge Injection ^e | Q | $V_g = 0\text{ V}, R_g = 0\ \Omega, C_L = 10\text{ nF}$ | Room | 1 | | | | | pC |
| Off Isolation ^e | OIRR | $R_L = 50\ \Omega, C_L = 5\text{ pF}, f = 1\text{ MHz}$ | Room | 68 | | | | | dB |
| Channel-to-Channel Crosstalk ^e | X_{TALK} | | Room | 85 | | | | | |
| Source Off Capacitance ^e | $C_{S(off)}$ | f = 1 MHz | Room | 6 | | | | | pF |
| Drain Off Capacitance ^e | $C_{D(off)}$ | | Room | 6 | | | | | |
| Channel On Capacitance ^e | $C_{D(on)}$ | | Room | 20 | | | | | |

Notes:

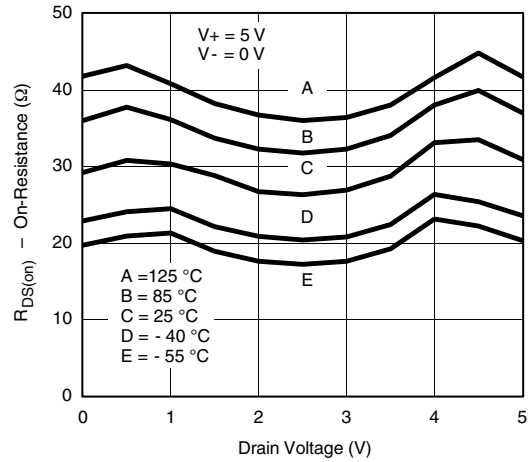
- a. Refer to PROCESS OPTION FLOWCHART.
- b. Room = 25 °C, Full = as determined by the operating temperature suffix.
- c. Typical values are for DESIGN AID ONLY, not guaranteed nor subject to production testing.
- d. The algebraic convention whereby the most negative value is a minimum and the most positive a maximum, is used in this datasheet.
- e. Guaranteed by design, not subject to production test.
- f. V_{IN} = input voltage to perform proper function.
- g. Leakage parameters are guaranteed by worst case test conditions and not subject to test.

Stresses beyond those listed under "Absolute Maximum Ratings" may cause permanent damage to the device. These are stress ratings only, and functional operation of the device at these or any other conditions beyond those indicated in the operational sections of the specifications is not implied. Exposure to absolute maximum rating conditions for extended periods may affect device reliability.

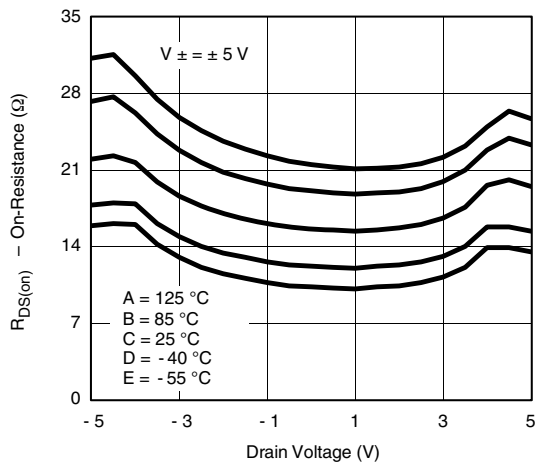
TYPICAL CHARACTERISTICS (25 °C, unless otherwise noted)



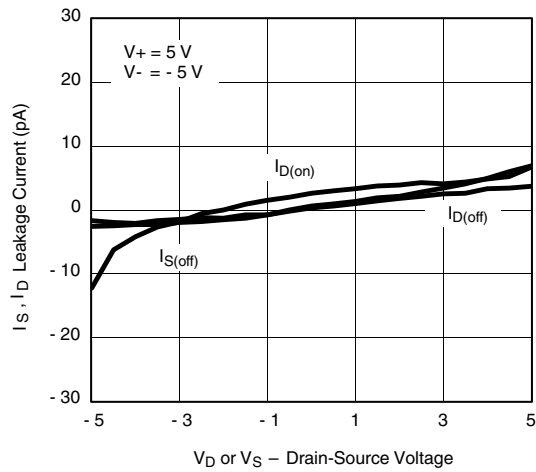
R_{DS(on)} vs. Drain Voltage (Single Supply)



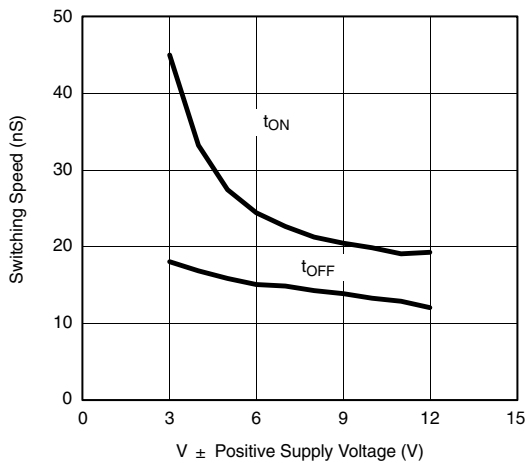
R_{DS(on)} vs. Drain Voltage and Temperature (Single Supply)



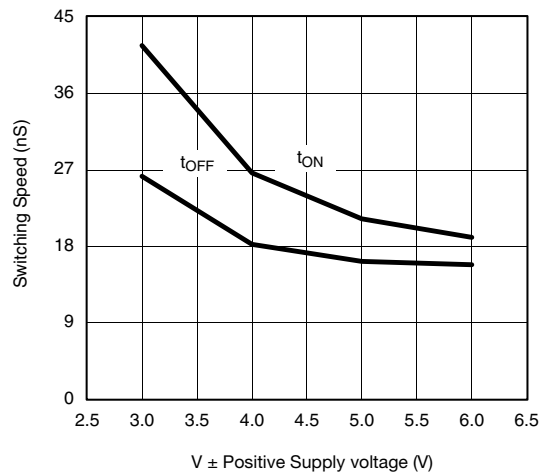
R_{DS(on)} vs. Drain Voltage and Temperature (Dual Supply)



Leakage Current vs. Analog Voltage (Dual Supply)

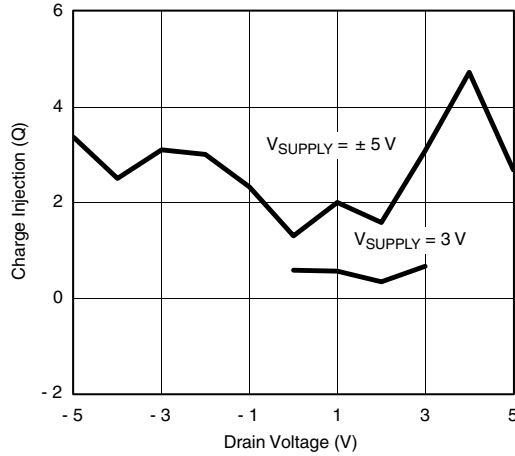


Switching Time vs. Single Supply

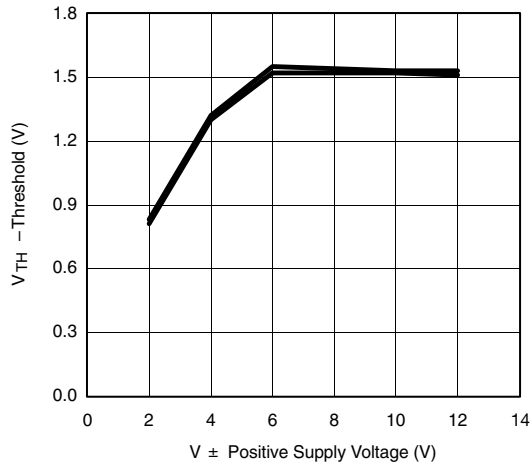


Switching Time vs. Dual Supply

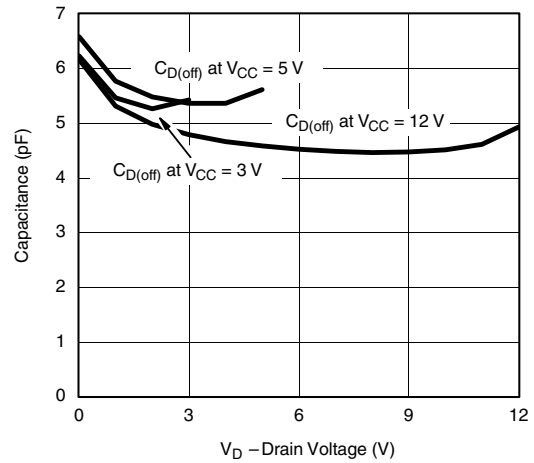
TYPICAL CHARACTERISTICS (25 °C, unless otherwise noted)



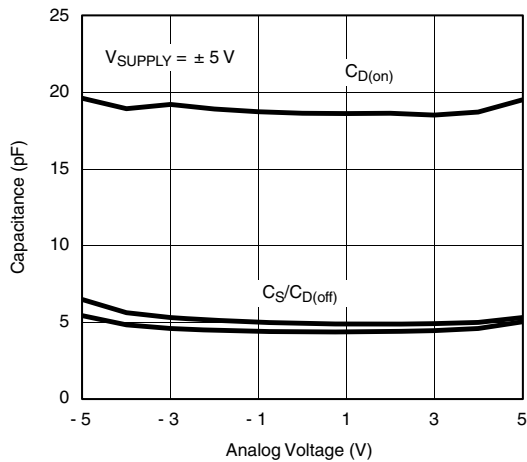
Charge Injection vs. Drain Voltage



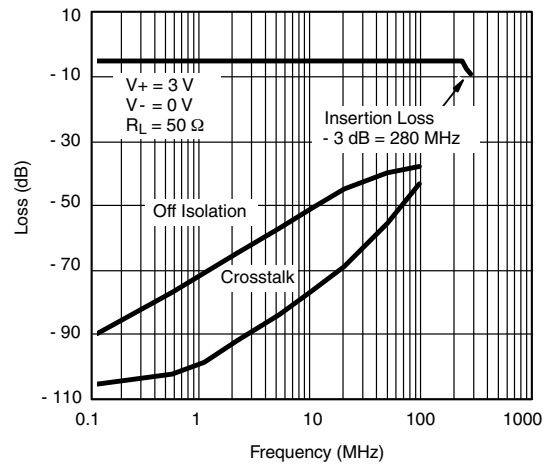
Input Threshold vs. Single Supply Voltage



Drain Capacitance vs. Drain Voltage (Single Supply)



Capacitance vs. Analog Signal (Dual Supply)



Insertion Loss, Off Isolation and Crosstalk vs. Frequency (Single Supply)

SCHEMATIC DIAGRAM (TYPICAL CHANNEL)

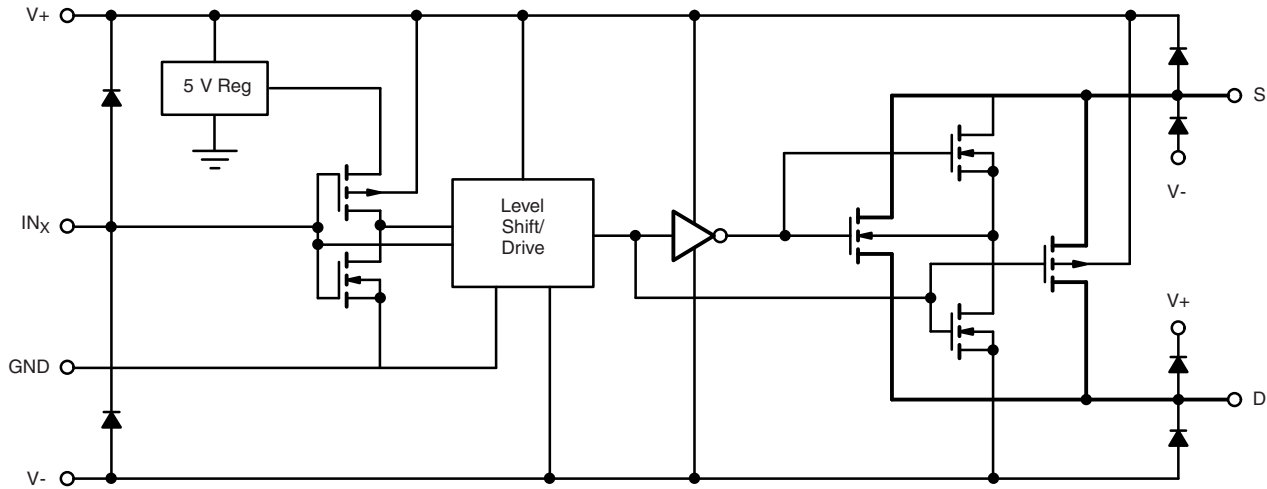
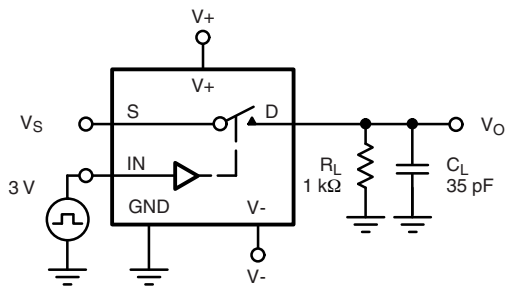
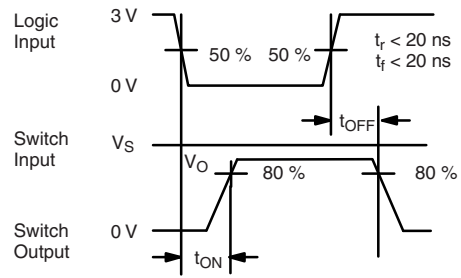


Figure 1.

TEST CIRCUITS



C_L (includes fixture and stray capacitance)



Note: Logic input waveform is inverted for DG442.

Figure 2. Switching Time

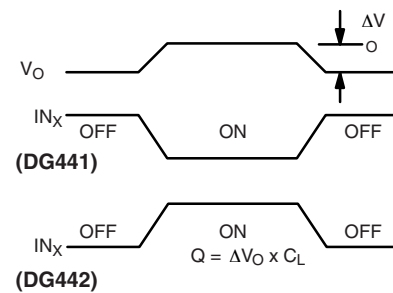
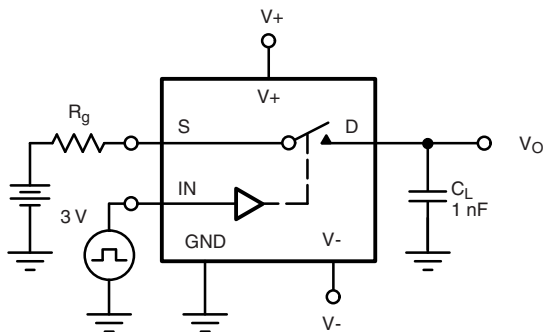


Figure 3. Charge Injection

TEST CIRCUITS

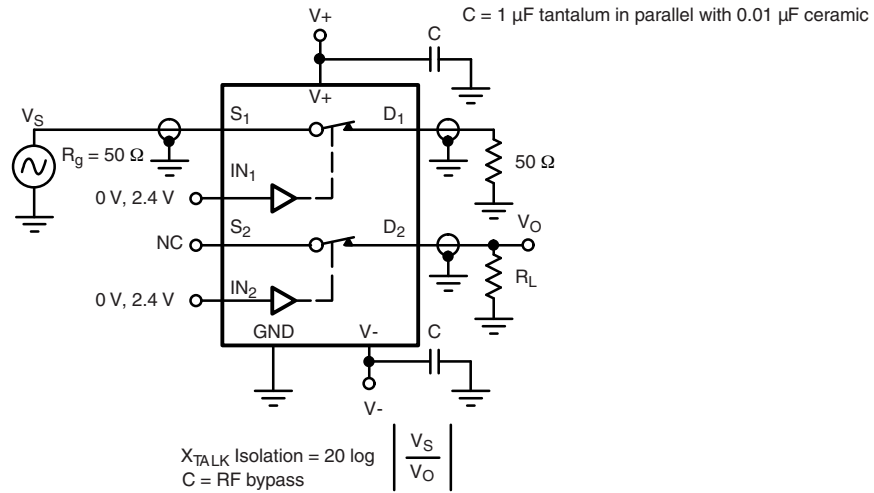


Figure 4. Crosstalk

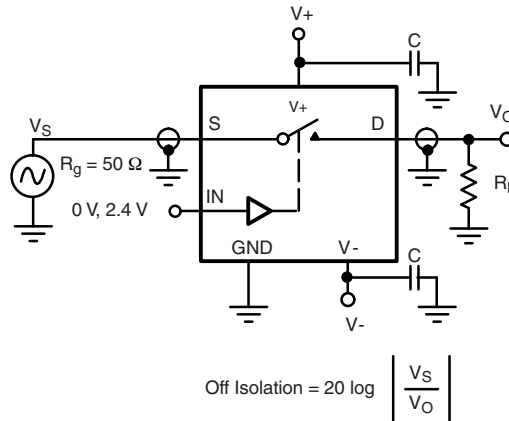


Figure 5. Off Isolation

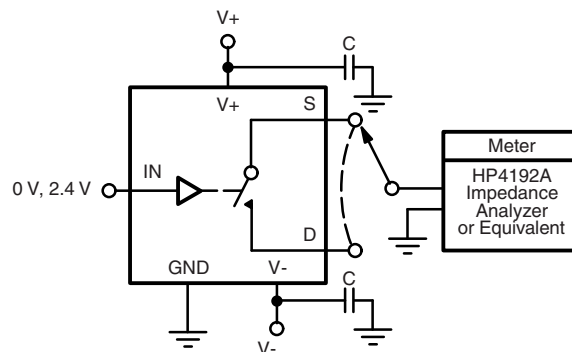


Figure 6. Source/Drain Capacitances

APPLICATIONS

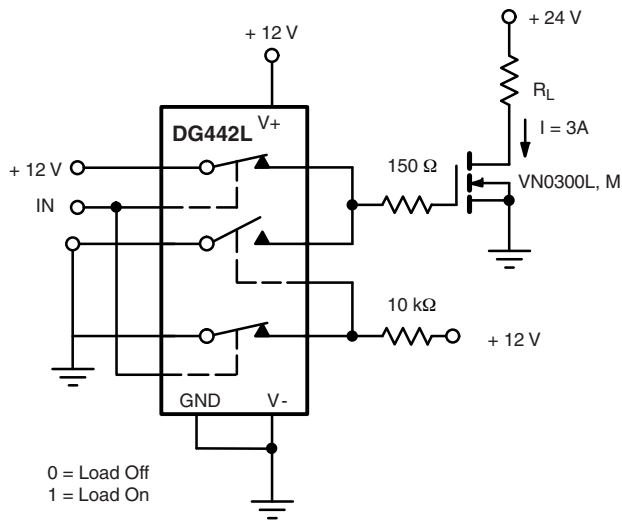


Figure 7. Power MOSFET Driver

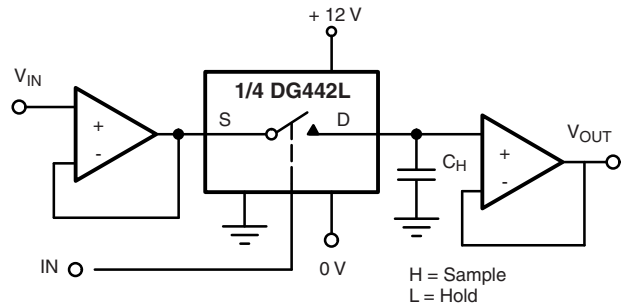


Figure 8. Open Loop Sample-and-Hold

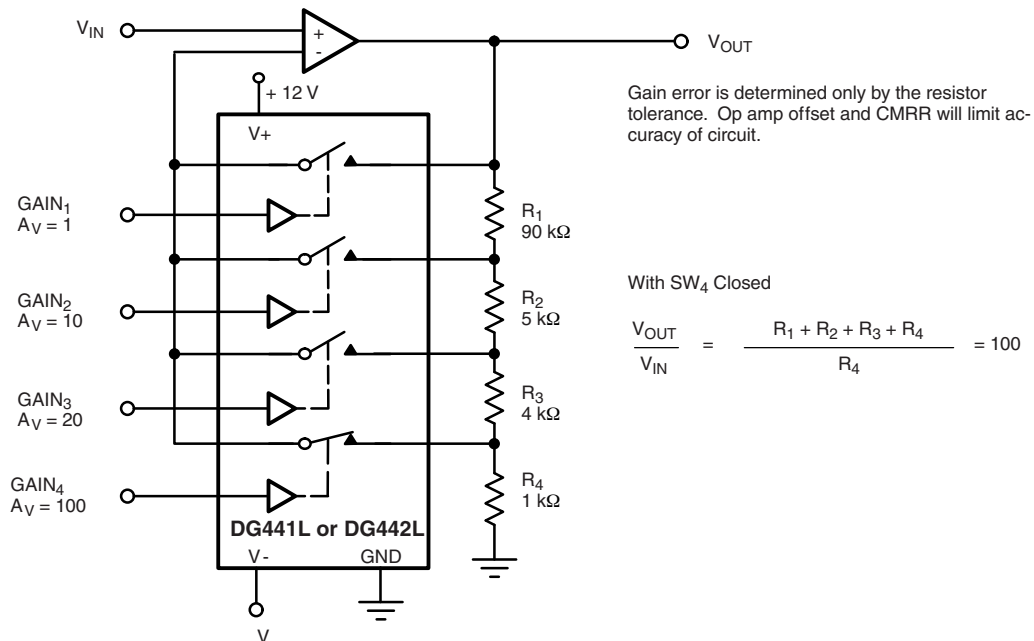
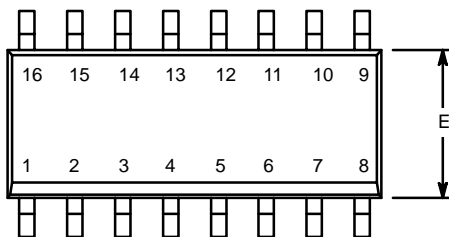


Figure 9. Precision-Weighted Resistor Programmable-Gain Amplifier

Vishay Siliconix maintains worldwide manufacturing capability. Products may be manufactured at one of several qualified locations. Reliability data for Silicon Technology and Package Reliability represent a composite of all qualified locations. For related documents such as package/tape drawings, part marking, and reliability data, see www.vishay.com/ppg?71399.

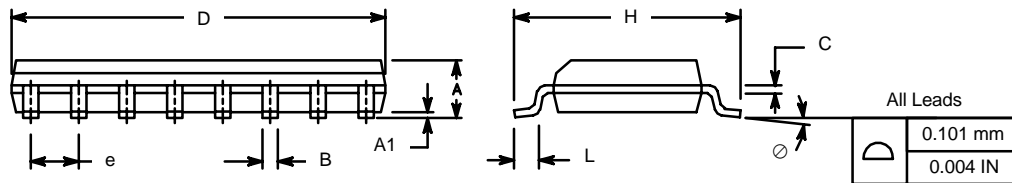


SOIC (NARROW): 16-LEAD
JEDEC Part Number: MS-012

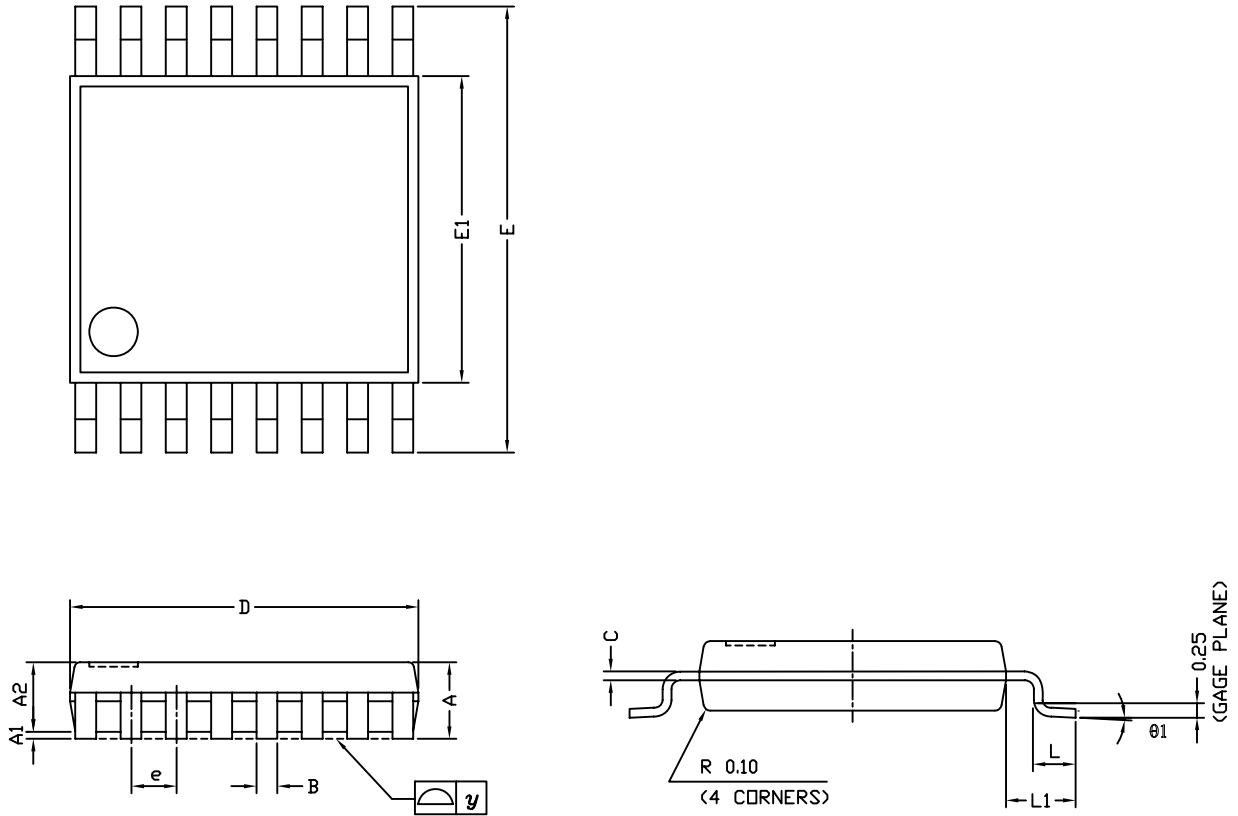


| Dim | MILLIMETERS | | INCHES | |
|----------------|-------------|-------|-----------|-------|
| | Min | Max | Min | Max |
| A | 1.35 | 1.75 | 0.053 | 0.069 |
| A ₁ | 0.10 | 0.20 | 0.004 | 0.008 |
| B | 0.38 | 0.51 | 0.015 | 0.020 |
| C | 0.18 | 0.23 | 0.007 | 0.009 |
| D | 9.80 | 10.00 | 0.385 | 0.393 |
| E | 3.80 | 4.00 | 0.149 | 0.157 |
| e | 1.27 BSC | | 0.050 BSC | |
| H | 5.80 | 6.20 | 0.228 | 0.244 |
| L | 0.50 | 0.93 | 0.020 | 0.037 |
| ∅ | 0° | 8° | 0° | 8° |

ECN: S-03946—Rev. F, 09-Jul-01
DWG: 5300



TSSOP: 16-LEAD

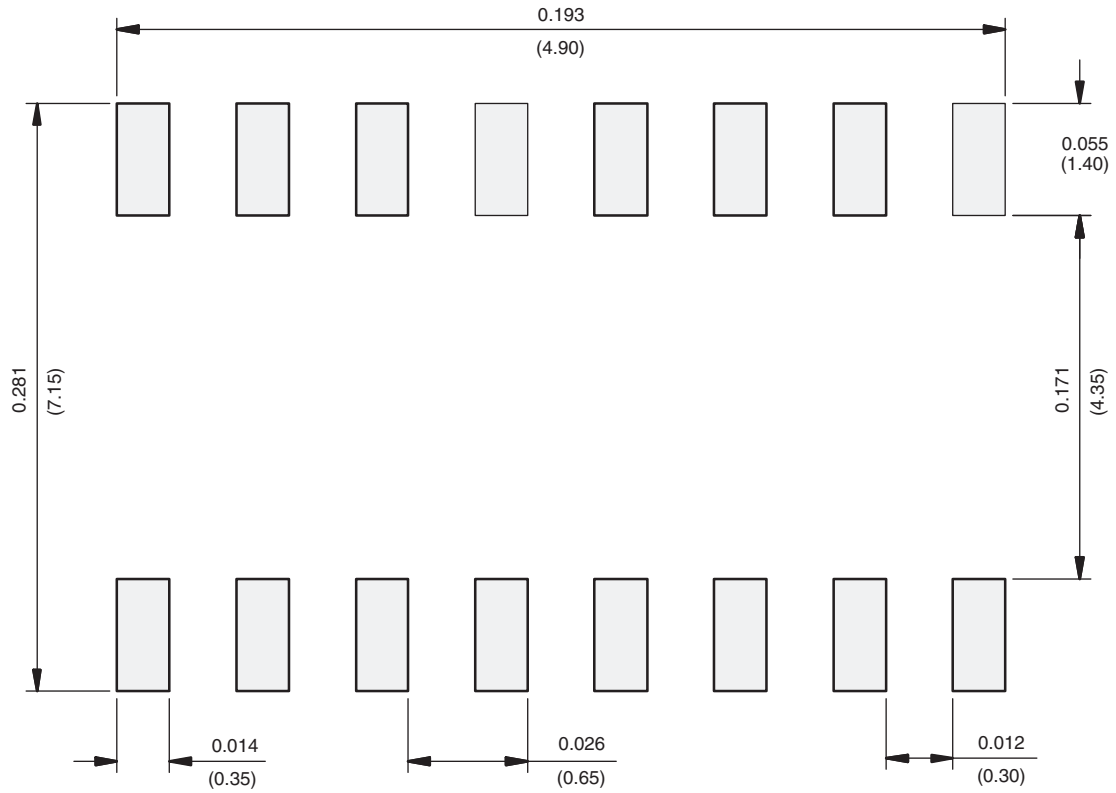


| Symbols | DIMENSIONS IN MILLIMETERS | | |
|---------|---------------------------|-------|------|
| | Min | Nom | Max |
| A | - | 1.10 | 1.20 |
| A1 | 0.05 | 0.10 | 0.15 |
| A2 | - | 1.00 | 1.05 |
| B | 0.22 | 0.28 | 0.38 |
| C | - | 0.127 | - |
| D | 4.90 | 5.00 | 5.10 |
| E | 6.10 | 6.40 | 6.70 |
| E1 | 4.30 | 4.40 | 4.50 |
| e | - | 0.65 | - |
| L | 0.50 | 0.60 | 0.70 |
| L1 | 0.90 | 1.00 | 1.10 |
| y | - | - | 0.10 |
| θ1 | 0° | 3° | 6° |

ECN: S-61920-Rev. D, 23-Oct-06
DWG: 5624

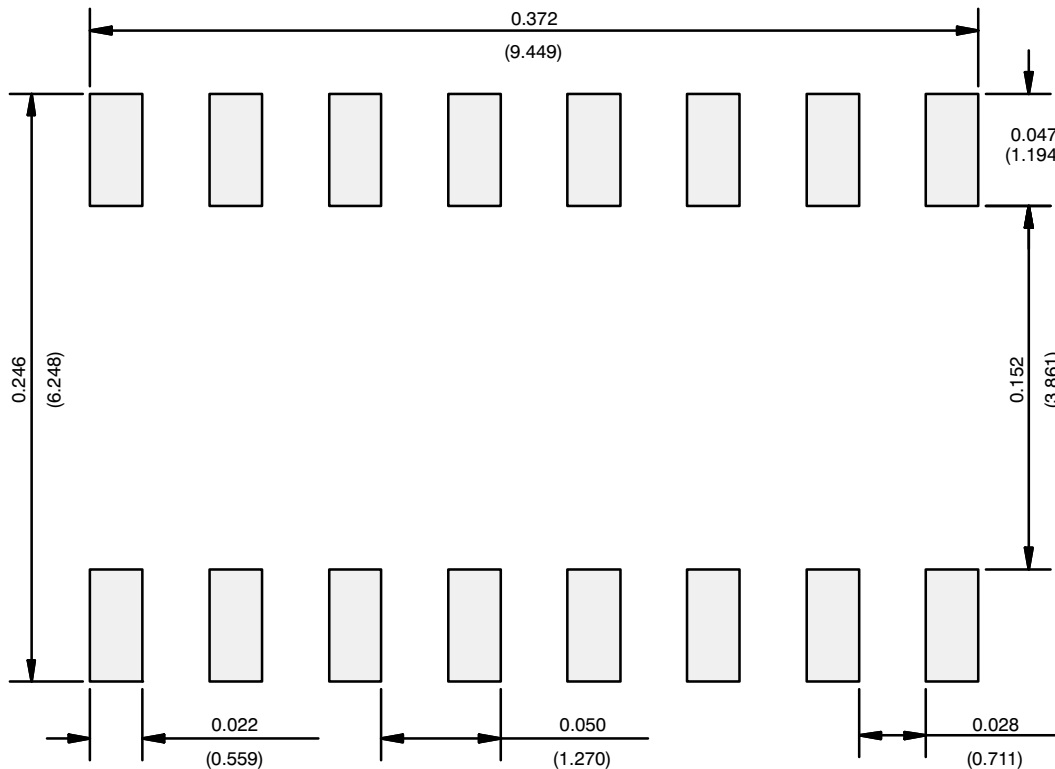


RECOMMENDED MINIMUM PAD FOR TSSOP-16



Recommended Minimum Pads
Dimensions in inches (mm)

RECOMMENDED MINIMUM PADS FOR SO-16



Recommended Minimum Pads
Dimensions in Inches/(mm)

[Return to Index](#)



Disclaimer

ALL PRODUCT, PRODUCT SPECIFICATIONS AND DATA ARE SUBJECT TO CHANGE WITHOUT NOTICE TO IMPROVE RELIABILITY, FUNCTION OR DESIGN OR OTHERWISE.

Vishay Intertechnology, Inc., its affiliates, agents, and employees, and all persons acting on its or their behalf (collectively, "Vishay"), disclaim any and all liability for any errors, inaccuracies or incompleteness contained in any datasheet or in any other disclosure relating to any product.

Vishay makes no warranty, representation or guarantee regarding the suitability of the products for any particular purpose or the continuing production of any product. To the maximum extent permitted by applicable law, Vishay disclaims (i) any and all liability arising out of the application or use of any product, (ii) any and all liability, including without limitation special, consequential or incidental damages, and (iii) any and all implied warranties, including warranties of fitness for particular purpose, non-infringement and merchantability.

Statements regarding the suitability of products for certain types of applications are based on Vishay's knowledge of typical requirements that are often placed on Vishay products in generic applications. Such statements are not binding statements about the suitability of products for a particular application. It is the customer's responsibility to validate that a particular product with the properties described in the product specification is suitable for use in a particular application. Parameters provided in datasheets and / or specifications may vary in different applications and performance may vary over time. All operating parameters, including typical parameters, must be validated for each customer application by the customer's technical experts. Product specifications do not expand or otherwise modify Vishay's terms and conditions of purchase, including but not limited to the warranty expressed therein.

Hyperlinks included in this datasheet may direct users to third-party websites. These links are provided as a convenience and for informational purposes only. Inclusion of these hyperlinks does not constitute an endorsement or an approval by Vishay of any of the products, services or opinions of the corporation, organization or individual associated with the third-party website. Vishay disclaims any and all liability and bears no responsibility for the accuracy, legality or content of the third-party website or for that of subsequent links.

Except as expressly indicated in writing, Vishay products are not designed for use in medical, life-saving, or life-sustaining applications or for any other application in which the failure of the Vishay product could result in personal injury or death. Customers using or selling Vishay products not expressly indicated for use in such applications do so at their own risk. Please contact authorized Vishay personnel to obtain written terms and conditions regarding products designed for such applications.

No license, express or implied, by estoppel or otherwise, to any intellectual property rights is granted by this document or by any conduct of Vishay. Product names and markings noted herein may be trademarks of their respective owners.

Mouser Electronics

Authorized Distributor

Click to View Pricing, Inventory, Delivery & Lifecycle Information:

[Vishay:](#)

[DG441LDJ](#) [DG441LDJ-E3](#)