

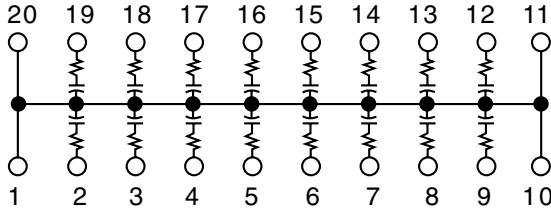
25 or 50 Mil Pitch, Termination Resistor/Capacitor Networks



Small Outline, Surface Mount, EMI/RFI Reduction

If your design calls for the elimination of transmission line effects on high speed data lines Vishay Thin Film's integrated RC network, schematic AB is the answer. The planar design of our single die thin film networks offer low noise and predictable component behavior over a wide frequency range. Care must be taken when choosing matching networks that their frequency response matches that of the transmission line. Our product will reduce total assembly costs through surface mount technology, reduced component count and improved performance characteristics. Available packages SOIC, SSOP and TSSOP.

SCHEMATIC AB



FEATURES

- Lead (Pb)-free standard
- Resistors and capacitors on a single chip
- Saves board space
- Reduces total assembly costs
- Uniform performance characteristics
- Compatible with automatic surface mounting equipment
- UL 94V-0 flame resistant
- Rugged, molded case construction



RoHS
COMPLIANT

TYPICAL PERFORMANCE

	TCR	TOLERANCE
RESISTOR	200	10 %
	TCC	TOLERANCE
CAPACITOR	200	20 %

MODELS			STANDARD VALUES	
VSORC	VSSRC	VTSRC	R (Ω)	C (pF)
	X		47	33

RC NETWORKS

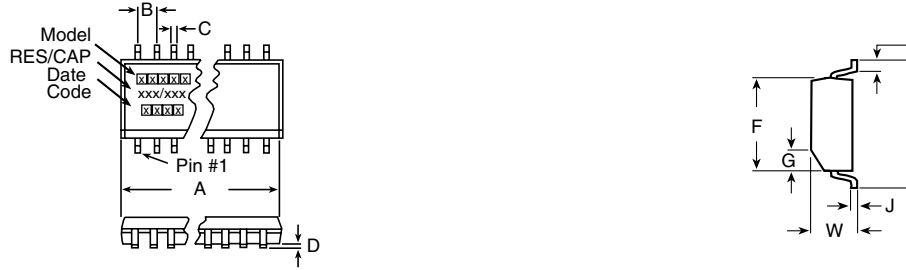
STANDARD ELECTRICAL SPECIFICATIONS			
TEST		SPECIFICATIONS	CONDITIONS
Material		Tantalum Nitride on Silicon	
Resistance Range		10 Ω to 750 Ω	
TCR:	Tracking	± 10 ppm/ $^{\circ}$ C	
	Absolute	± 200 ppm/ $^{\circ}$ C	0 $^{\circ}$ C to + 70 $^{\circ}$ C
Tolerance:	Absolute	± 10 % Standard (R)	
	Absolute	± 20 % Standard (C)	at 1 MHz and V_{RMS} over + 10 $^{\circ}$ C to + 70 $^{\circ}$ C
Power Rating:	Package	1 W - (T)SSOP. 1.2 W - SOIC	See Derating Curve
Capacitance Range		10 pF to 150 pF - TSSOP/10 pF to 250 pF - SOIC and SSOP	
Stability:	ΔR Ratio	± 2 %	1000 h at + 70 $^{\circ}$ C
ESD Protection		> 2 kV	MIL-STD-883, Method 3015
Breakdown Voltage		35 - 50 V	
Operating Temperature Range		0 $^{\circ}$ C to + 70 $^{\circ}$ C	
Storage Temperature Range		- 55 $^{\circ}$ C to + 125 $^{\circ}$ C	
Power Rating/Resistor		100 mW	



VTSRC, VSSRC, VSORC-AB

25 or 50 Mil Pitch, Termination Resistor/Capacitor Networks Vishay Thin Film

DIMENSIONS AND IMPRINTING in inches and millimeters



MODEL	VTSRC20-AB		VSSRC20-AB		VSORC20-AB	
	INCHES	MILLIMETERS	INCHES	MILLIMETERS	INCHES	MILLIMETERS
A	0.256 ± 0.003	6.5 ± 0.08	0.344 Max.	8.74 Max.	0.500 ± 0.010	12.7 ± 0.25
B (Ref.)	0.025	0.65	0.025	0.64	0.050	1.27
C (Ref.)	0.0087	0.22	0.010	0.25	0.016	0.41
D	0.004	0.10	0.006	0.15	0.008	0.20
E (Typ.)	0.024	0.61	0.025	0.64	0.030	0.76
F	0.173 ± 0.003	4.39 ± 0.08	0.154 ± 0.003	3.9	0.293 ± 0.003	7.44
G	0.015 × 45°	0.38	0.015 × 45°	0.38	0.025 × 45°	0.64
H	0.252 ± 0.005	6.4 ± 0.13	0.236 ± 0.008	6.0 ± 0.20	0.406 ± 0.005	10.31
J (Ref.)	0.005	0.13	0.010	0.25	0.010	0.25
W	0.043 ± 0.005	1.09 ± 0.13	0.064 ± 0.005	1.6	0.100 ± 0.005	2.59

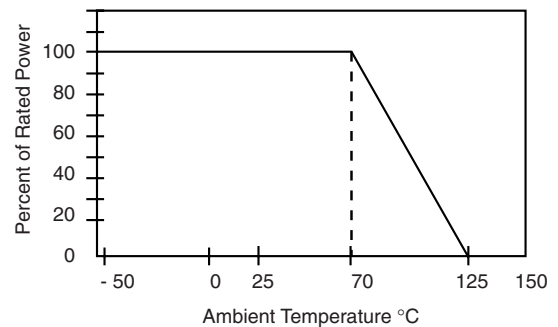
IMPRINTING

VSORC, VSSRC, VTSRC	20	AB	XXX / XXX
MODEL	PIN COUNT	SCHEMATIC	RESISTANCE Code: e.g. 100 = 10 Ω
		XXXX	CAPACITANCE Code: e.g. 101 = 100 pF
		Date Code	* Optional marking

MECHANICAL SPECIFICATIONS

Resistive Element	Tantalum Nitride
Substrate Material	Silicon
Body	Molded Epoxy
Terminals	Copper Alloy
Plating	100 % Sn Matte
Lead Coplanarity	0.0005 Inches
Marking Resistance to Solvents	Permanency testing per MIL-STD-202, Method 215

DERATING CURVE



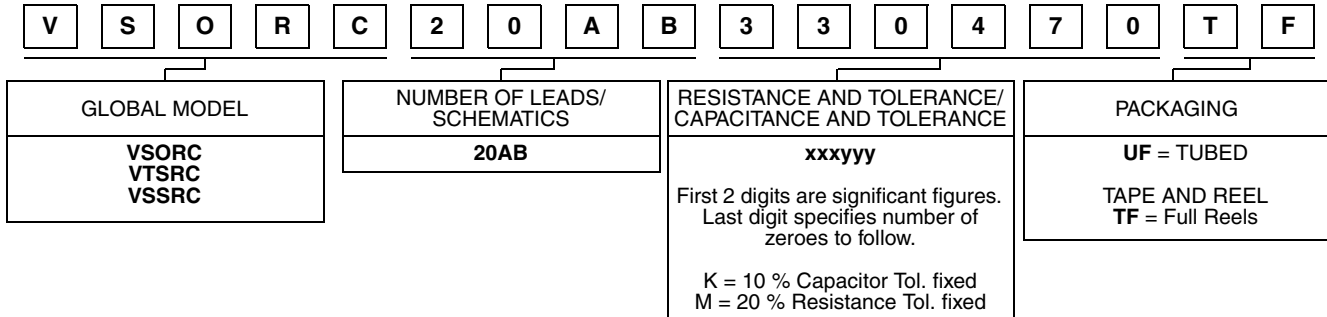
PACKING INFORMATION

MODEL	LEADS	TAPE AND REEL	TUBES
VTSRC (TSSOP)	20	2500	74
VSSRC (SSOP)	20	2500	55
VSORC (SOIC)	20	1000	38

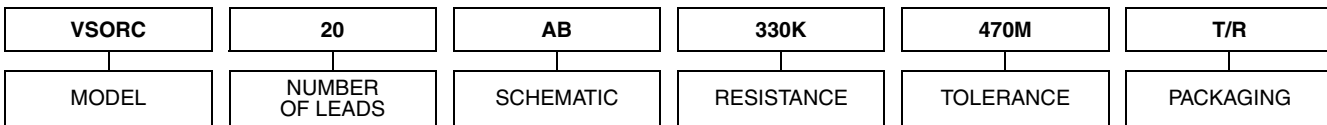


GLOBAL PART NUMBER INFORMATION

New Global Part Numbering: VSORC20AB330470TF (preferred part number format)



Historical Part Number example: VSORC20AB330K470MT/R (will continue to be accepted)





Disclaimer

All product specifications and data are subject to change without notice.

Vishay Intertechnology, Inc., its affiliates, agents, and employees, and all persons acting on its or their behalf (collectively, "Vishay"), disclaim any and all liability for any errors, inaccuracies or incompleteness contained herein or in any other disclosure relating to any product.

Vishay disclaims any and all liability arising out of the use or application of any product described herein or of any information provided herein to the maximum extent permitted by law. The product specifications do not expand or otherwise modify Vishay's terms and conditions of purchase, including but not limited to the warranty expressed therein, which apply to these products.

No license, express or implied, by estoppel or otherwise, to any intellectual property rights is granted by this document or by any conduct of Vishay.

The products shown herein are not designed for use in medical, life-saving, or life-sustaining applications unless otherwise expressly indicated. Customers using or selling Vishay products not expressly indicated for use in such applications do so entirely at their own risk and agree to fully indemnify Vishay for any damages arising or resulting from such use or sale. Please contact authorized Vishay personnel to obtain written terms and conditions regarding products designed for such applications.

Product names and markings noted herein may be trademarks of their respective owners.

Mouser Electronics

Authorized Distributor

Click to View Pricing, Inventory, Delivery & Lifecycle Information:

Vishay:

[VSSRC20AB470330UF](#)