

## LED LIGHT PANEL RETROFIT

with Field-adjustable Light Output



Combining top-of-the-line efficiency with a stylish, modern design, the LED Light Panel Retrofit is an ideal solution for updating interior grid ceiling applications. It can accommodate all standard sizes of fluorescent troffers, including 2' x 4', 2' x 2' or 1' x 4', and its patented design makes installation simple and quick. The kit can be installed by one person in less than two minutes, without breaking into the ceiling plenum.

Our standard model is equipped with field-adjustable light output, enabling the lumen output and wattage to be set to one of five specific levels based on the needs of the user. This feature enables not only the customization of light output, but also puts a cap on the amount of energy being used.

The LED Light Panel Retrofit is listed as a DLC Premium product and delivers up to 125 lumens per watt (LPW) over the course of its 100,000-hour rated life. It ensures long-term energy savings over traditional fluorescent bulbs and ballasts, as well as eliminates routine maintenance, making it perfect for updating existing troffers. Furthermore, it's backed by an industry-leading 10-year warranty, guaranteeing peace of mind for the life of your fixture.

### KEY FEATURES

- Field-adjustable light output
- 100,000-hour rated life
- 10-year warranty
- DLC Premium (125 LPW)
- Sealed enclosure (Bug/dust free)
- Anti-yellowing frosted diffuser
- Suitable for damp locations
- 0-10V Dimming
- Compatible with Emergency Battery Backup

### MARKETS

- Schools and universities
- Offices and municipal buildings
- Healthcare facilities and hospitals

### APPLICATIONS

- Drop/grid ceilings
- Fluorescent troffers



## SPECIFICATIONS

**Average rated life:** 100,000 hours (@L70)  
**Warranty:** 10 years  
**Operating temp:** -4°F to 113°F (-20°C to 45°C)  
**Surge protection:** ANSI C82.77 compliant  
**Input voltage:** 120-277V  
**Input frequency:** 50/60Hz  
**Power factor:** ≥0.95  
**CRI:** 80  
**Lens type:** Polycarbonate frosted

**Dimming:** 0-10VDC ANSI C137.x compliant  
**Minimum dimming:** 0% of rated lumen  
 LED drive current  
**Location rating:** Damp  
**ETL listed:** Yes  
**RoHS compliant:** Yes  
**DLC rating:** Premium

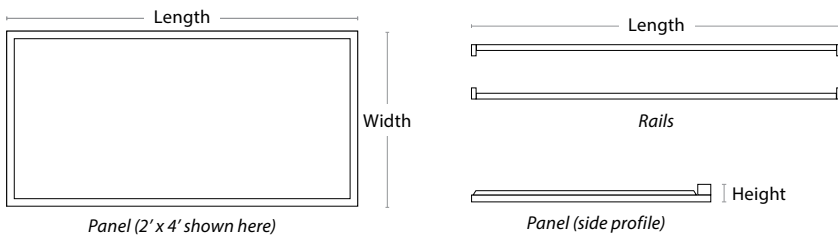
## MOUNTING

**Standard:** T-bar grid (drop ceilings) mounted fluorescent troffers  
**Wiring access:** 1/2" trade size knockouts

## ACCESSORIES

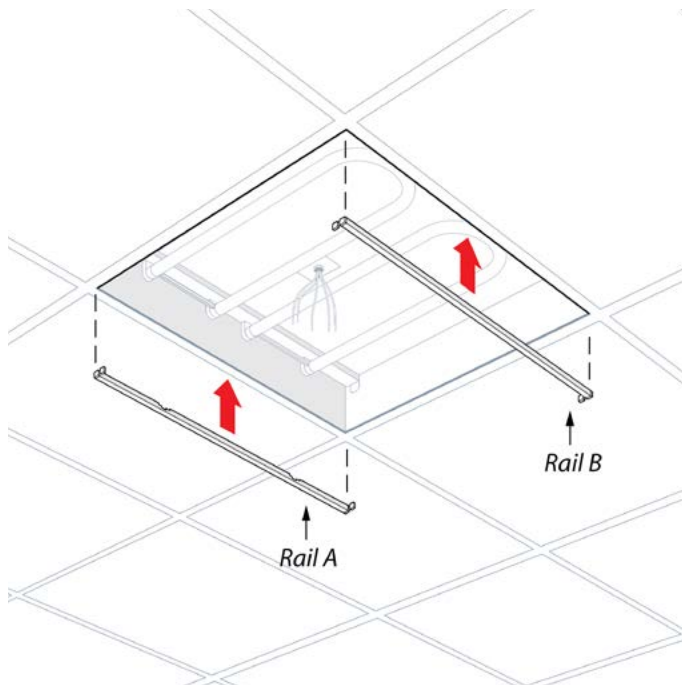
**Emergency Battery Backup**

## DIMENSIONS

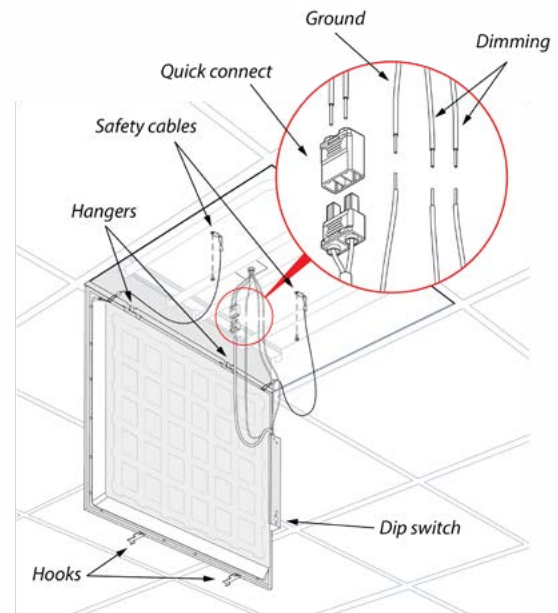


| SIZE    | LENGTH | WIDTH | HEIGHT | RAIL LENGTH | WEIGHT   |
|---------|--------|-------|--------|-------------|----------|
| 2' x 4' | 45"    | 21"   | 1.625" | 47"         | 9.5 lbs  |
| 2' x 2' | 21"    | 21"   | 1.625" | 23"         | 6.06 lbs |
| 1' x 4' | 45"    | 10.5" | 1.625" | 47"         | 6.68 lbs |

## PRODUCT OVERVIEW AND INSTALLATION



The mounting rails are inserted between the troffer and grid rail on opposite sides with the anti-rotational tabs pointed inward and notches facing up.



The panel hangers are inserted into the notches on the mounting rail, enabling the panel to hang freely while electrical connections are completed.

# ORDERING INFORMATION

Listed below are the included wattage settings and lumens for each model number.

## 2' X 2'

| ROOT MODEL #  | DESCRIPTION                         |      |        |
|---------------|-------------------------------------|------|--------|
| <b>PRT235</b> | <b>2X2 LED Light Panel Retrofit</b> |      |        |
| EXT. MODEL #  | WATTAGE                             | CCT  | LUMENS |
| PRT23518      | 18                                  | 3500 | 2,250  |
| PRT23520      | 20                                  | 3500 | 2,500  |
| PRT23525      | 25                                  | 3500 | 3,125  |
| PRT23530      | 30                                  | 3500 | 3,750  |
| PRT235        | 36                                  | 3500 | 4,500  |

| ROOT MODEL #  | DESCRIPTION                         |      |        |
|---------------|-------------------------------------|------|--------|
| <b>PRT240</b> | <b>2X2 LED Light Panel Retrofit</b> |      |        |
| EXT. MODEL #  | WATTAGE                             | CCT  | LUMENS |
| PRT24018      | 18                                  | 4000 | 2,250  |
| PRT24020      | 20                                  | 4000 | 2,500  |
| PRT24025      | 25                                  | 4000 | 3,125  |
| PRT24030      | 30                                  | 4000 | 3,750  |
| PRT240        | 36                                  | 4000 | 4,500  |

| ROOT MODEL #  | DESCRIPTION                         |      |        |
|---------------|-------------------------------------|------|--------|
| <b>PRT250</b> | <b>2X2 LED Light Panel Retrofit</b> |      |        |
| EXT. MODEL #  | WATTAGE                             | CCT  | LUMENS |
| PRT25018      | 18                                  | 5000 | 2,250  |
| PRT25020      | 20                                  | 5000 | 2,500  |
| PRT25025      | 25                                  | 5000 | 3,125  |
| PRT25030      | 30                                  | 5000 | 3,750  |
| PRT250        | 36                                  | 5000 | 4,500  |

## 2' X 4'

| ROOT MODEL #  | DESCRIPTION                         |      |        |
|---------------|-------------------------------------|------|--------|
| <b>PRT435</b> | <b>2X4 LED Light Panel Retrofit</b> |      |        |
| EXT. MODEL #  | WATTAGE                             | CCT  | LUMENS |
| PRT43525      | 25                                  | 3500 | 3,125  |
| PRT43530      | 30                                  | 3500 | 3,750  |
| PRT43540      | 40                                  | 3500 | 5,000  |
| PRT43545      | 45                                  | 3500 | 5,625  |
| PRT435        | 50                                  | 3500 | 6,250  |

| ROOT MODEL #  | DESCRIPTION                         |      |        |
|---------------|-------------------------------------|------|--------|
| <b>PRT440</b> | <b>2X4 LED Light Panel Retrofit</b> |      |        |
| EXT. MODEL #  | WATTAGE                             | CCT  | LUMENS |
| PRT44025      | 25                                  | 4000 | 3,125  |
| PRT44030      | 30                                  | 4000 | 3,750  |
| PRT44040      | 40                                  | 4000 | 5,000  |
| PRT44045      | 45                                  | 4000 | 5,625  |
| PRT440        | 50                                  | 4000 | 6,250  |

| ROOT MODEL #  | DESCRIPTION                         |      |        |
|---------------|-------------------------------------|------|--------|
| <b>PRT450</b> | <b>2X4 LED Light Panel Retrofit</b> |      |        |
| EXT. MODEL #  | WATTAGE                             | CCT  | LUMENS |
| PRT45025      | 25                                  | 5000 | 3,125  |
| PRT45030      | 30                                  | 5000 | 3,750  |
| PRT45040      | 40                                  | 5000 | 5,000  |
| PRT45045      | 45                                  | 5000 | 5,625  |
| PRT450        | 50                                  | 5000 | 6,250  |

## 1' X 4'

| ROOT MODEL #  | DESCRIPTION                         |      |        |
|---------------|-------------------------------------|------|--------|
| <b>PRT135</b> | <b>1X4 LED Light Panel Retrofit</b> |      |        |
| EXT. MODEL #  | WATTAGE                             | CCT  | LUMENS |
| PRT13518      | 18                                  | 3500 | 2,250  |
| PRT13520      | 20                                  | 3500 | 2,500  |
| PRT13525      | 25                                  | 3500 | 3,125  |
| PRT13530      | 30                                  | 3500 | 3,750  |
| PRT135        | 36                                  | 3500 | 4,500  |

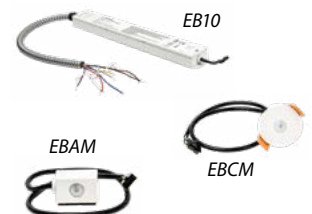
| ROOT MODEL #  | DESCRIPTION                         |      |        |
|---------------|-------------------------------------|------|--------|
| <b>PRT140</b> | <b>1X4 LED Light Panel Retrofit</b> |      |        |
| EXT. MODEL #  | WATTAGE                             | CCT  | LUMENS |
| PRT14018      | 18                                  | 4000 | 2,250  |
| PRT14020      | 20                                  | 4000 | 2,500  |
| PRT14025      | 25                                  | 4000 | 3,125  |
| PRT14030      | 30                                  | 4000 | 3,750  |
| PRT140        | 36                                  | 4000 | 4,500  |

| ROOT MODEL #  | DESCRIPTION                         |      |        |
|---------------|-------------------------------------|------|--------|
| <b>PRT150</b> | <b>1X4 LED Light Panel Retrofit</b> |      |        |
| EXT. MODEL #  | WATTAGE                             | CCT  | LUMENS |
| PRT15018      | 18                                  | 5000 | 2,250  |
| PRT15020      | 20                                  | 5000 | 2,500  |
| PRT15025      | 25                                  | 5000 | 3,125  |
| PRT15030      | 30                                  | 5000 | 3,750  |
| PRT150        | 36                                  | 5000 | 4,500  |

Each extended model # is individually listed with DLC. The highest wattage is listed under the root model #.

## ACCESSORIES

| MODEL # | DESCRIPTION                       | USAGE   |
|---------|-----------------------------------|---|
| EB10    | 10W Emergency Battery Backup      | Supplies battery backup to an individual fixture for up to 90 minutes. <u>Must be ordered with EBCM or EBAM indicator module.</u>                                 |
| EBCM    | Ceiling-mounted Indicator Module  | In grid ceiling applications, this unit connects to the EB10 and is recess mounted in an adjacent panel where it displays the unit's current status of operation. |
| EBAM    | Adhesive-mounted Indicator Module | In drywall/open ceiling applications, this unit connects to the EB10 and is mounted via adhesive, where it displays the unit's current status of operation.       |



# Mouser Electronics

Authorized Distributor

Click to View Pricing, Inventory, Delivery & Lifecycle Information:

[VCC:](#)

[77950-004](#)