

CUSTOMER:
CUSTOMER PN:
GPN: E81D401VSN471MA40T

DRAWING NO.: 544005

ELECTRICAL CRITERIA

CAPACITANCE (120Hz/20°C):	470 μ F
CAP.TOLERANCE:	± 20 %
RATED VDC	400 V
SURGE VDC (30 sec):	450 V
MAX. ESR (120Hz/20°C):	290 m Ω
TYP. ESR (120Hz/20°C):	150 m Ω
MAX. IRMS (120Hz/105°C):	2.2 A
MAX. DCL (V _{DC} /5:00/20°C):	1.800 mA

MECHANICAL CRITERIA

MAX. VIBRATION:	10-55Hz 10g
TYP. WEIGHT:	58 grams

OPERATING CRITERIA

MAX. TEMPERATURE:	+105 °C
MIN. TEMPERATURE:	-40 °C
LOAD LIFE (V _{DC} +IRMS/105°C):	3000 Hrs
MAX. Δ CAP. (measured value):	± 20 %
MAX. ESR (specified value):	+200 %
MAX. DCL (V _{DC} /5:00/20°C):	1.800 mA
SHELF LIFE (105°C):	1000 Hrs
MAX. Δ CAP. (measured value):	± 20 %
MAX. ESR (specified value):	+150 %
MAX. DCL (V _{DC} /5:00/20°C):	1.800 mA

IRMS FREQUENCY MULTIPLIERS

V _{DC}	50Hz	120Hz	300Hz	1kHz	10kHz	100kHz
6.3-50	0.95	1.00	1.03	1.05	1.08	1.08
63-100	0.92	1.00	1.07	1.12	1.19	1.20
160-250	0.81	1.00	1.17	1.32	1.45	1.50
315-450	0.77	1.00	1.16	1.30	1.41	1.43

IRMS AMBIENT MULTIPLIERS

45°C	60°C	70°C	85°C	105°C
2.64	2.23	2.12	1.73	1.00

COMMENTS

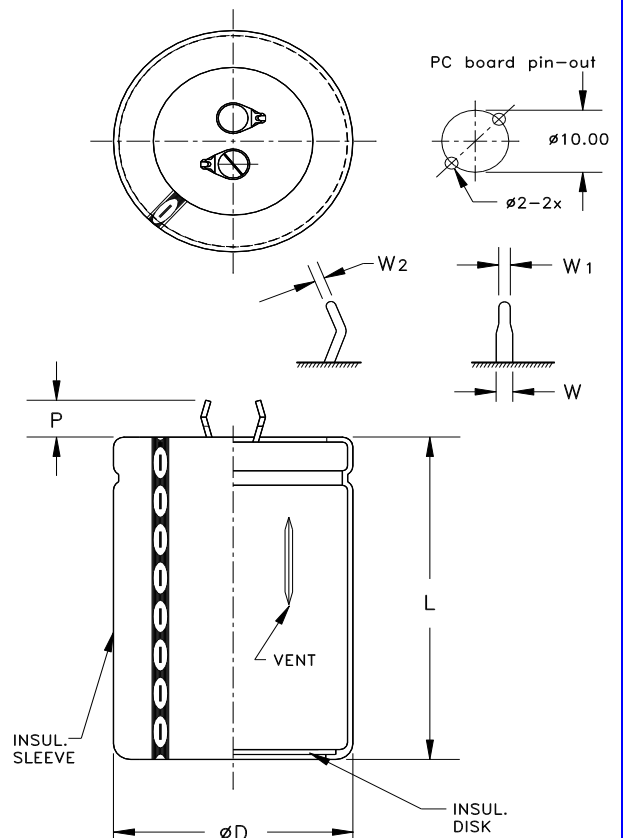
RoHS COMPLIANT

Lx(Irms/60°C/300V):	>100,000 Hrs
Irms: 4.6A@300Hz+1.9A@600Hz+0.7A@900Hz+5.8A@>3kHz	
MAX. Δ CAP. (measured value):	± 30 %
MAX. TAN δ (specified value):	+300 %
MAX. DCL (V _{DC} /5:00/20°C):	1.800 mA

DIMENSIONAL CRITERIA

X	mm		in	
	min	max	min	max
\varnothing D	35.0	- 0.0		+ 1.0
L	40.0	- 2.0		+ 2.0
P	5.8	- 0.5		+ 0.5
W	1.5	- 0.2		+ 0.2
W ₁	1.0	- 0.1		+ 0.1
W ₂	1.0	- 0.1		+ 0.1

MARKING

 81DA 105°C
 470uF(M) 400V
 Date Code

TDS NO.: TDS-08-0732-01
AUTHOR: TMASH
DATE: 02-DEC-2013

Mouser Electronics

Authorized Distributor

Click to View Pricing, Inventory, Delivery & Lifecycle Information:

[United Chemi-Con \(UCC\):](#)

[E81D401VSN471MA40T](#)