



## IQS318EV02 USER GUIDE

IQ Switch® - ProxFusion® Series





## Table of Contents

<b>IQS318EV02 USER GUIDE .....</b>	<b>1</b>
<b>1 INTRODUCTION .....</b>	<b>3</b>
<b>2 SETTING UP FOR THE IQS318 INDUCTIVE SWITCH MODULE.....</b>	<b>4</b>
<b>3 SETTING UP FOR THE IQS318 INDUCTIVE KEY MODULE .....</b>	<b>5</b>
<b>4 SETTING UP FOR THE IQS318 INDUCTIVE BUTTON MODULE.....</b>	<b>6</b>
<b>5 SETTING UP FOR THE IQS318 CAPACITIVE SWITCH MODULE .....</b>	<b>7</b>
<b>6 REFERENCE DESIGNS .....</b>	<b>8</b>
6.1 INDUCTIVE SWITCH MODULE.....	8
6.2 INDUCTIVE KEY MODULE .....	9
6.3 INDUCTIVE BUTTON MODULE .....	10
6.4 CAPACITIVE SWITCH MODULE.....	11



## 1 Introduction

This user guide describes the operation of the IQS318EV02 Evaluation Kit. The EV-Kit consists of five parts:

- IQS318 Inductive Switch x 1
- IQS318 Inductive Key Module x 1
- IQS318 Inductive Button x 1
- IQS318 Capacitive Switch x 1
- CT210A x 1

To visualise all sensor data from the EV-Kit, the module board can be interfaced to any Windows PC with USB support, along with the CT210A and the relevant IQS318 software Graphical User Interface (GUI) available to download from the Azoteq website. The purpose of the IQS318EV02 EV-Kit is to help application and development engineers in evaluating the IC's capabilities. A picture of the evaluation kit is shown below.



Download GUI from Azoteq website: <https://www.azoteq.com/product/iqs318/>

GUI can be found in the following section:

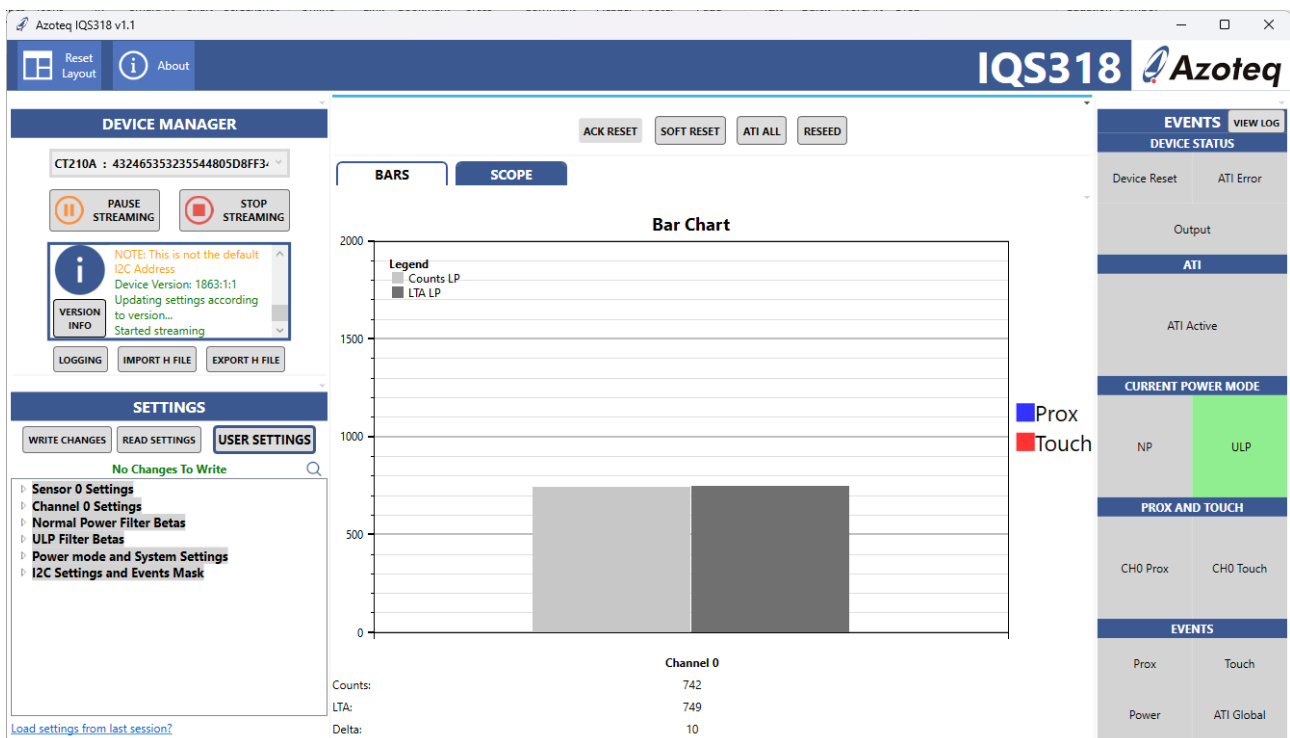
- Design Support -> Software
- Click on the Debug and Display tool for IQS318 hyperlink to download GUI.
- Install GUI on PC.
- Connect the CT210A to the PC with a USB micro data cable.



## 2 Setting up for the IQS318 Inductive Switch Module

To interface the IQS318 Inductive Switch module to a PC we advise using the CT210A. This module is set up in Inductive mode. This EV Kit can be set up with the following steps:

- Plug the Module into the CT210A via ribbon cable
- Run the IQS318 GUI
- Click “Start Streaming” button
- Data should now stream to GUI
- Click “ACK RESET”
- GUI should look as follow.



Channel 0 represents the Inductive Switch. This triggers in both directions, meaning a slide to the right will increase the counts and a slide to the left will decrease counts.

After evaluating click “STOP STREAMING.”

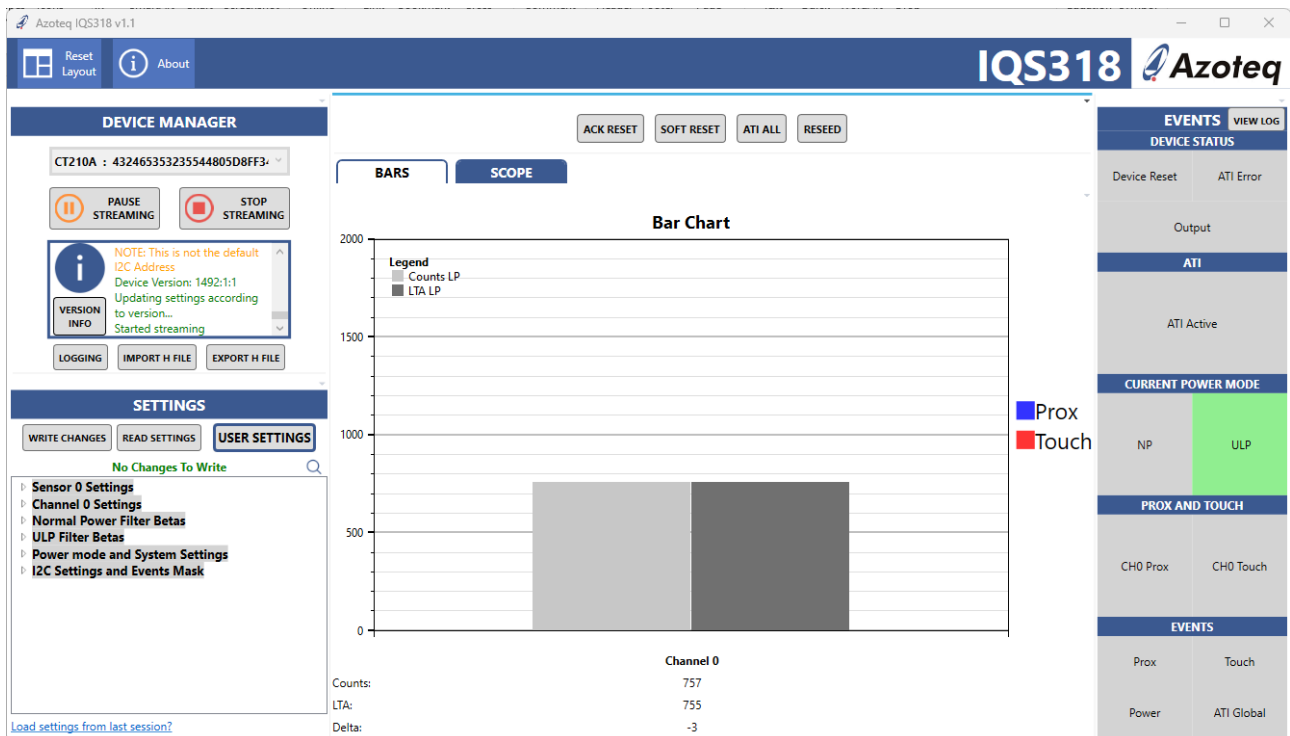
In standalone mode unplug the ribbon cable and provide power through the USB C connector. The LED will turn on when the Output state is set (slider moved to the right) and will turn off when the Output state is cleared (slider moved to the left). On start-up the Output state is not set.



### 3 Setting up for the IQS318 Inductive Key Module

To interface the IQS318 Inductive Key module to a PC we advise using the CT210A. This module is set up in Inductive mode. This EV Kit can be set up with the following steps:

- Plug the Module into the CT210A via ribbon cable
- Run the IQS318 GUI
- Click “Start Streaming” button
- Data should now stream to GUI
- Click “ACK RESET”
- GUI should look as follow.



Channel 0 represents the Inductive Key. This triggers in a downwards directions, meaning a push down on the key will result in a decrease of the counts.

After evaluating click “STOP STREAMING.”

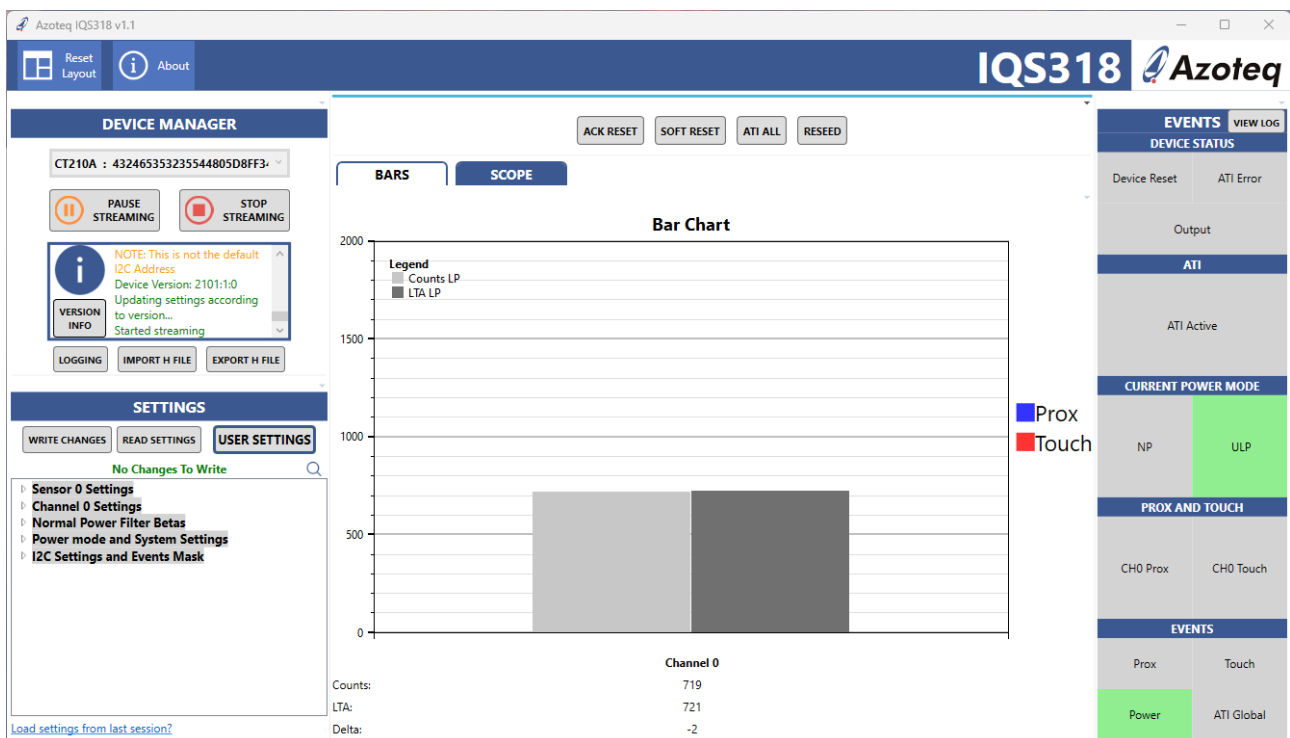
In standalone mode unplug the ribbon cable and provide power through the USB C connector. The LED will turn on when the Output state is set (key is pressed down) and will turn off when the Output state is cleared (key is released). On start-up the Output state is not set.



## 4 Setting up for the IQS318 Inductive Button Module

To interface the IQS318 Inductive Button module to a PC we advise using the CT210A. This module is set up in Inductive mode. This EV Kit can be set up with the following steps:

- Plug the Module into the CT210A via ribbon cable
- Run the IQS318 GUI
- Click “Start Streaming” button
- Data should now stream to GUI
- Click “ACK RESET”
- GUI should look as follow.



Channel 0 represents the Inductive Button. This triggers in an upwards direction, meaning a button press down will increase the counts.

After evaluating click “STOP STREAMING.”

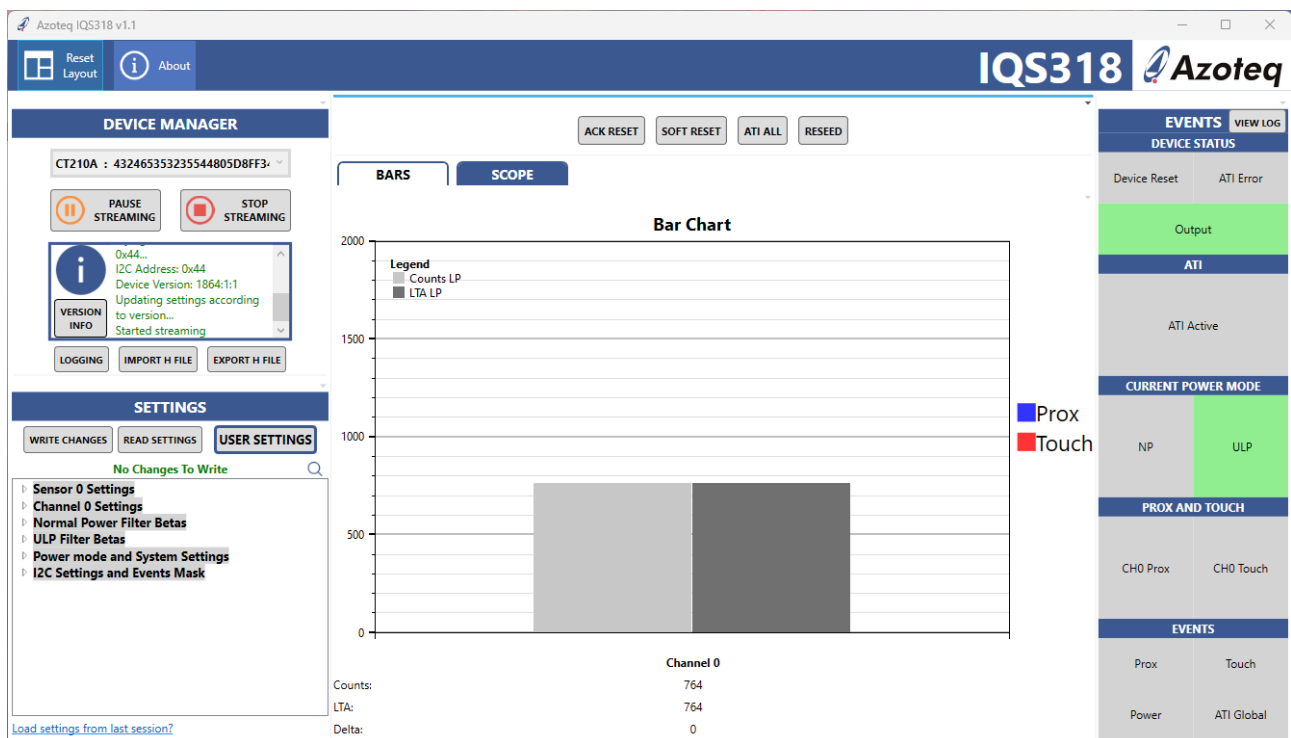
In standalone mode unplug the ribbon cable and provide power through the USB C connector. The LED will turn on when the Output state is set (button pressed) and will turn off when the Output state is cleared (button released). On start-up the Output state is not set.



## 5 Setting up for the IQS318 Capacitive Switch Module

To interface the IQS318 Capacitive Switch module to a PC we advise using the CT210A. This module is set up in Self Capacitance mode. This EV Kit can be set up with the following steps:

- Plug the Module into the CT210A via ribbon cable
- Run the IQS318 GUI
- Click “Start Streaming” button
- Data should now stream to GUI
- Click “ACK RESET”
- GUI should look as follow.



Channel 0 represents the Self Capacitance Switch. This triggers in both directions, meaning if the hinge is opened to lie on top of the electrode the counts will increase and when removed from the electrode the counts will decrease.

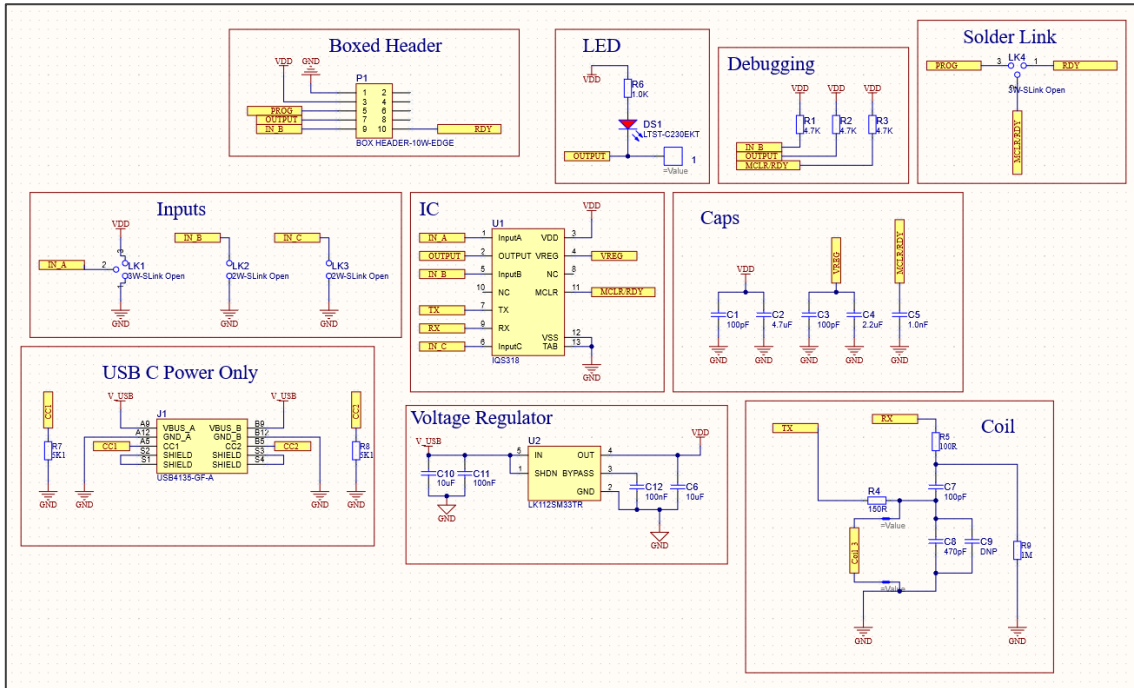
After evaluating click “STOP STREAMING.”

In standalone mode unplug the ribbon cable and provide power through the USB C connector. The LED will turn on when the Output state is set (hinge on top of electrode) and will turn off when the Output state is cleared (hinge removed from electrode). On start-up the Output state is set.



## 6 Reference Designs

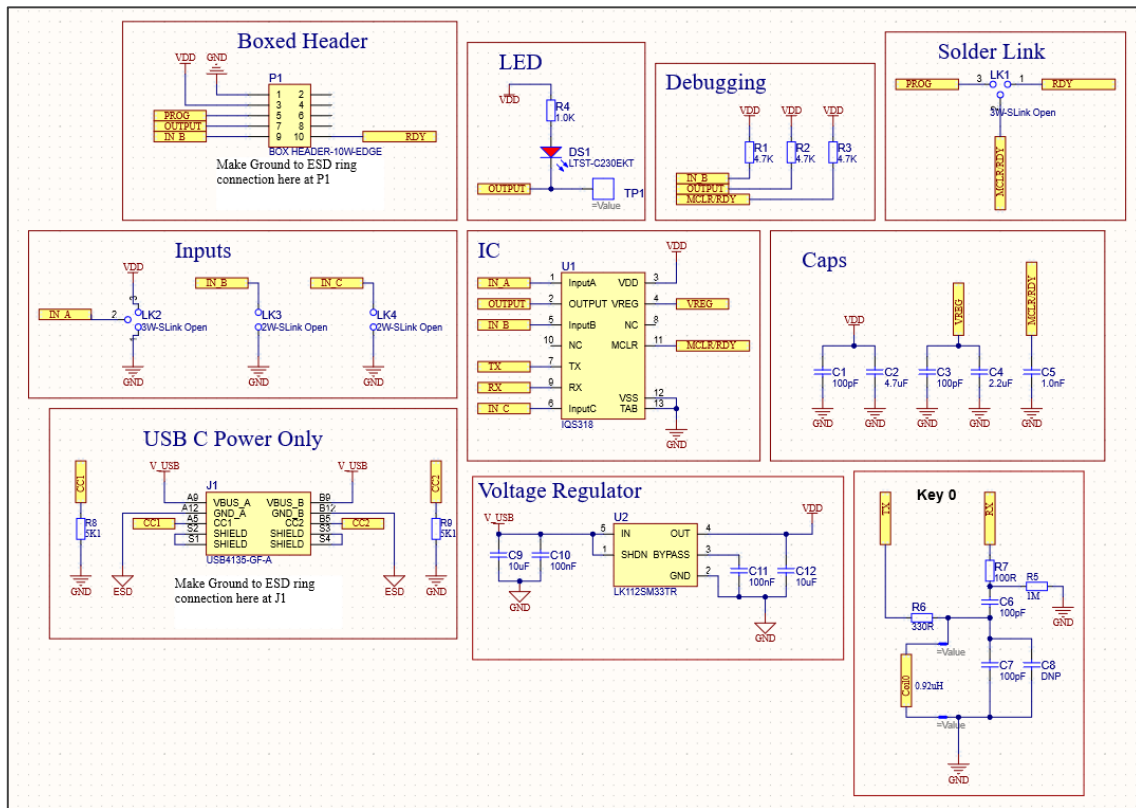
### 6.1 Inductive Switch Module





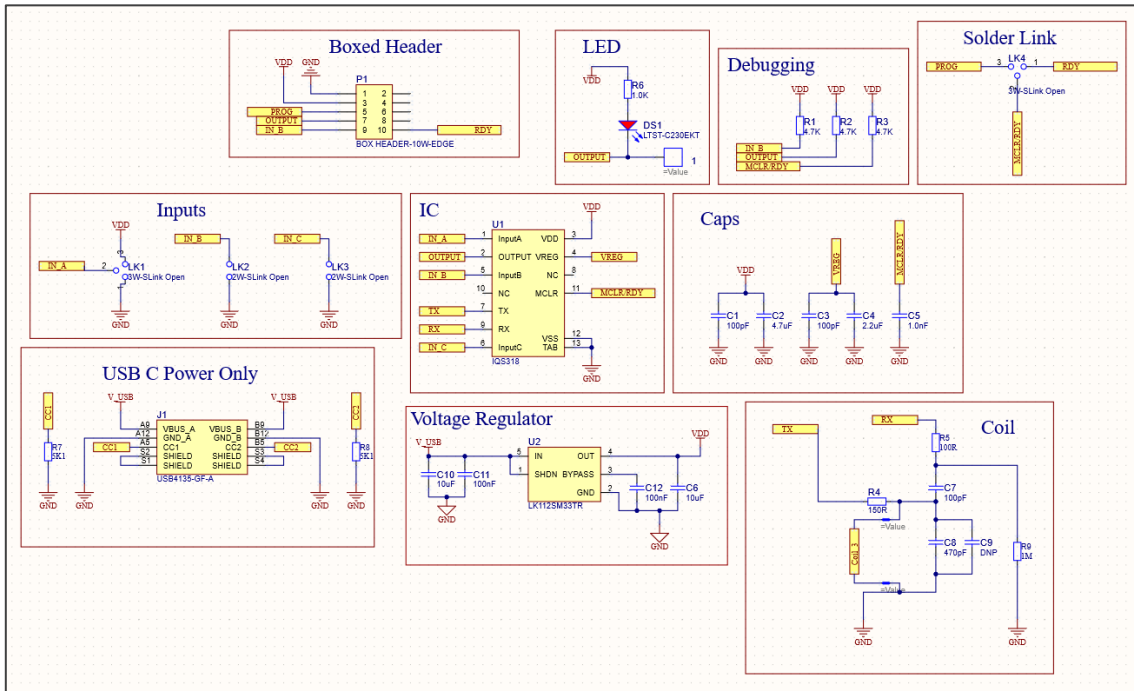


## 6.2 Inductive Key Module



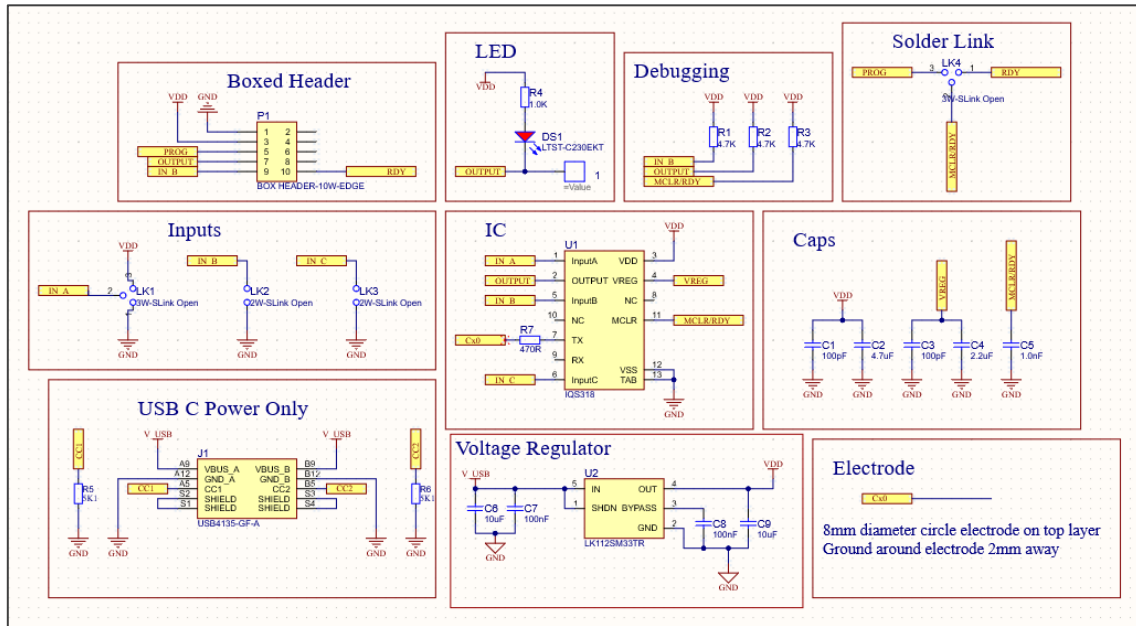


### 6.3 Inductive Button Module





## 6.4 Capacitive Switch Module






	USA	Asia	South Africa
<b>Physical Address</b>	11940 Jollyville Suite 120-S Austin TX 78750 USA	Room 501A, Block A, T-Share International Centre, Taoyuan Road, Nanshan District, Shenzhen, Guangdong, PRC	1 Bergsig Avenue Paarl 7646 South Africa
<b>Postal Address</b>	11940 Jollyville Suite 120-S Austin TX 78750 USA	Room 501A, Block A, T-Share International Centre, Taoyuan Road, Nanshan District, Shenzhen, Guangdong, PRC	PO Box 3534 Paarl 7620 South Africa
<b>Tel</b>	+1 512 538 1995	+86 755 8303 5294 ext 808	+27 21 863 0033
<b>Email</b>	<a href="mailto:info@azoteq.com">info@azoteq.com</a>	<a href="mailto:info@azoteq.com">info@azoteq.com</a>	<a href="mailto:info@azoteq.com">info@azoteq.com</a>

[Visit www.azoteq.com](http://www.azoteq.com)

*for a list of distributors and worldwide representation.*

Patents as listed on [www.azoteq.com/patents-trademarks/](http://www.azoteq.com/patents-trademarks/) may relate to the device or usage of the device.

Azoteq®, Crystal Driver®, IQ Switch®, ProxSense®, ProxFusion®, LightSense™, SwipeSwitch™, and the  logo are trademarks of Azoteq.

The information in this Datasheet is believed to be accurate at the time of publication. Azoteq uses reasonable effort to maintain the information up-to-date and accurate, but does not warrant the accuracy, completeness or reliability of the information contained herein. All content and information are provided on an "as is" basis only, without any representations or warranties, express or implied, of any kind, including representations about the suitability of these products or information for any purpose. Azoteq disclaims all warranties and conditions with regard to these products and information, including but not limited to all implied warranties and conditions of merchantability, fitness for a particular purpose, title and non-infringement of any third party intellectual property rights. Azoteq assumes no liability for any damages or injury arising from any use of the information or the product or caused by, without limitation, failure of performance, error, omission, interruption, defect, delay in operation or transmission, even if Azoteq has been advised of the possibility of such damages. The applications mentioned herein are used solely for the purpose of illustration and Azoteq makes no warranty or representation that such applications will be suitable without further modification, nor recommends the use of its products for application that may present a risk to human life due to malfunction or otherwise. Azoteq products are not authorized for use as critical components in life support devices or systems. No licenses to patents are granted, implicitly, express or implied, by estoppel or otherwise, under any intellectual property rights. In the event that any of the abovementioned limitations or exclusions does not apply, it is agreed that Azoteq's total liability for all losses, damages and causes of action (in contract, tort (including without limitation, negligence) or otherwise) will not exceed the amount already paid by the customer for the products. Azoteq reserves the right to alter its products, to make corrections, deletions, modifications, enhancements, improvements and other changes to the content and information, its products, programs and services at any time or to move or discontinue any contents, products, programs or services without prior notification. For the most up-to-date information and binding Terms and Conditions please refer to [www.azoteq.com](http://www.azoteq.com).

# Mouser Electronics

Authorized Distributor

Click to View Pricing, Inventory, Delivery & Lifecycle Information:

[Azoteq:](#)

[IQS318EV02](#) [IQS318EV02-S](#)