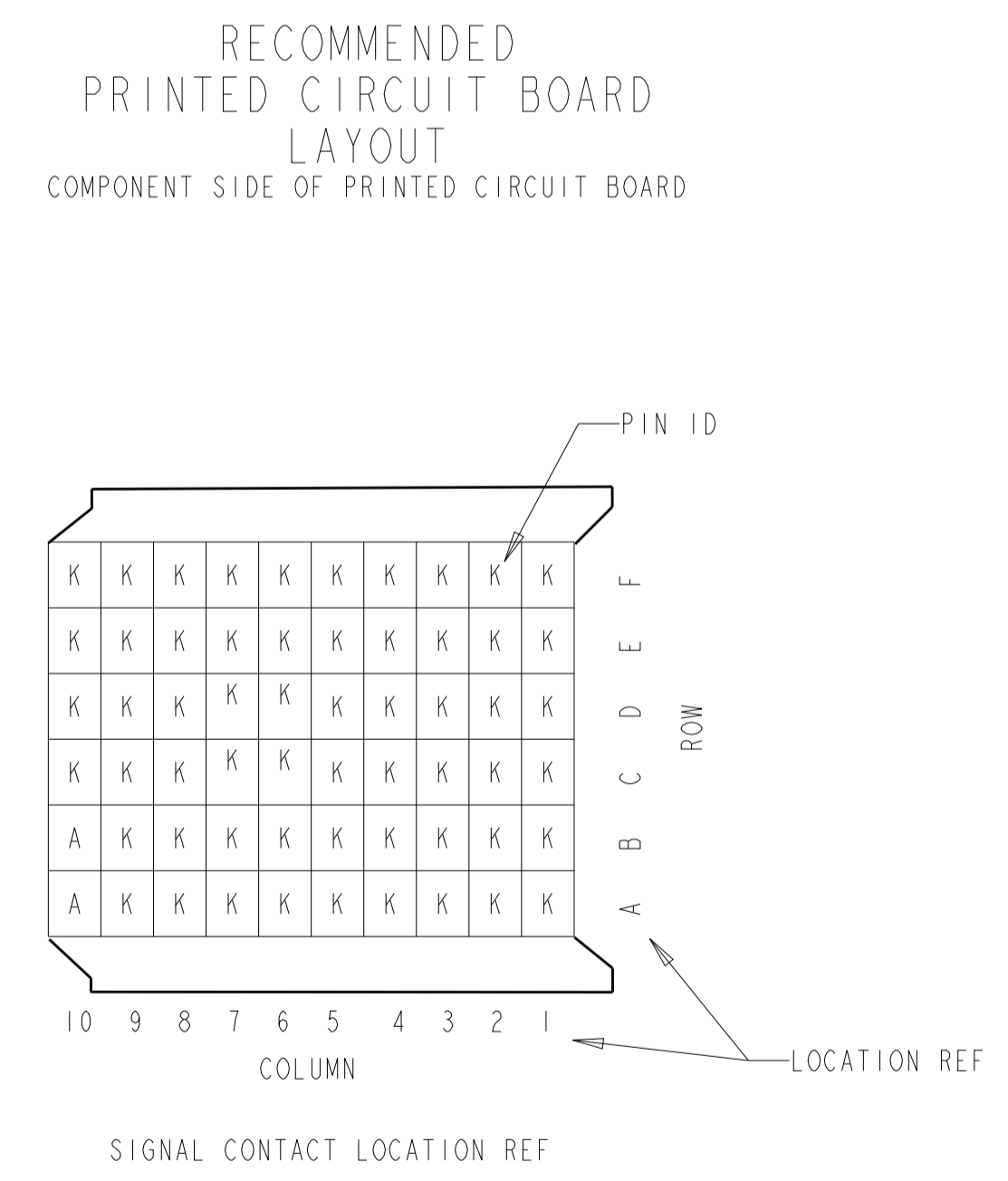
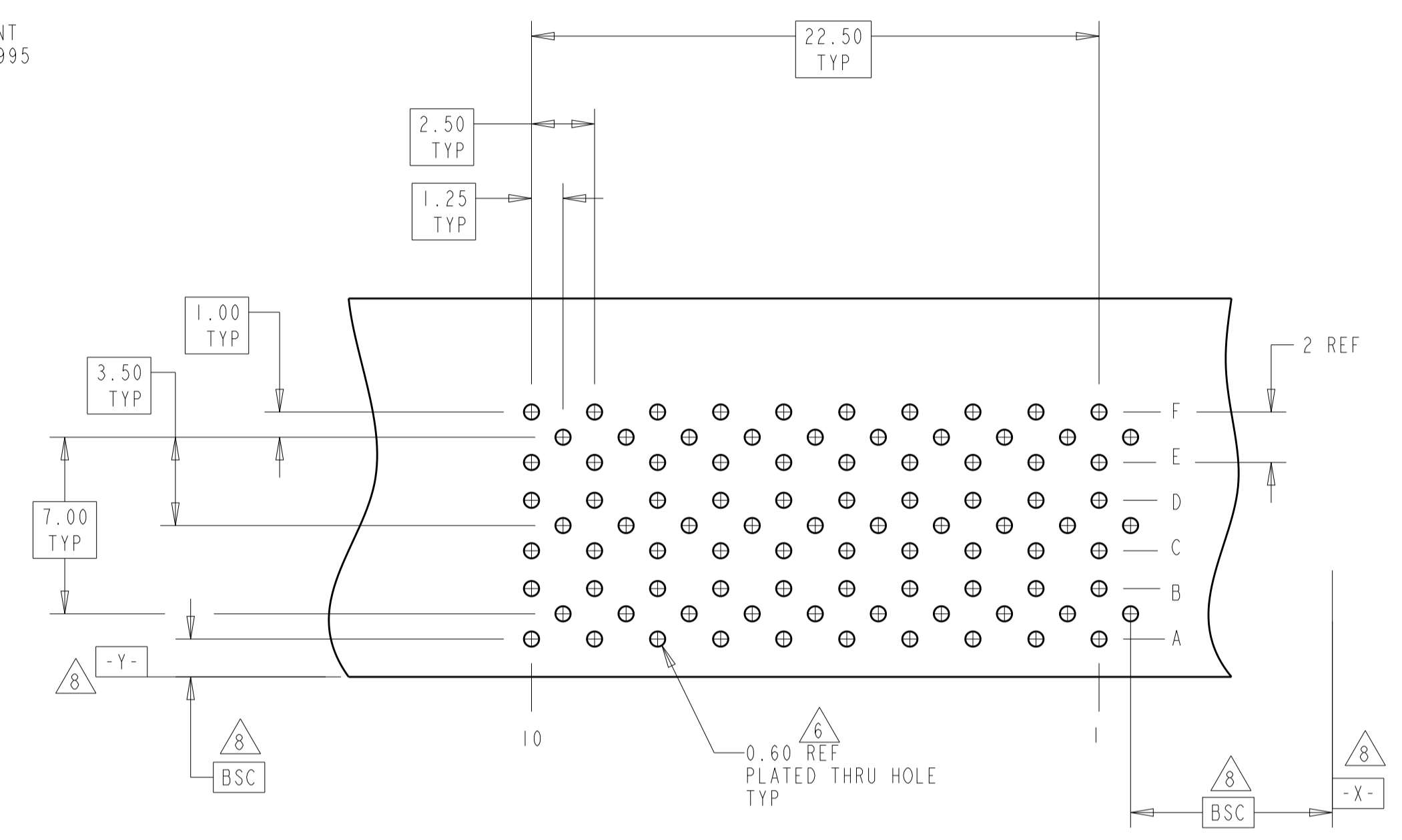
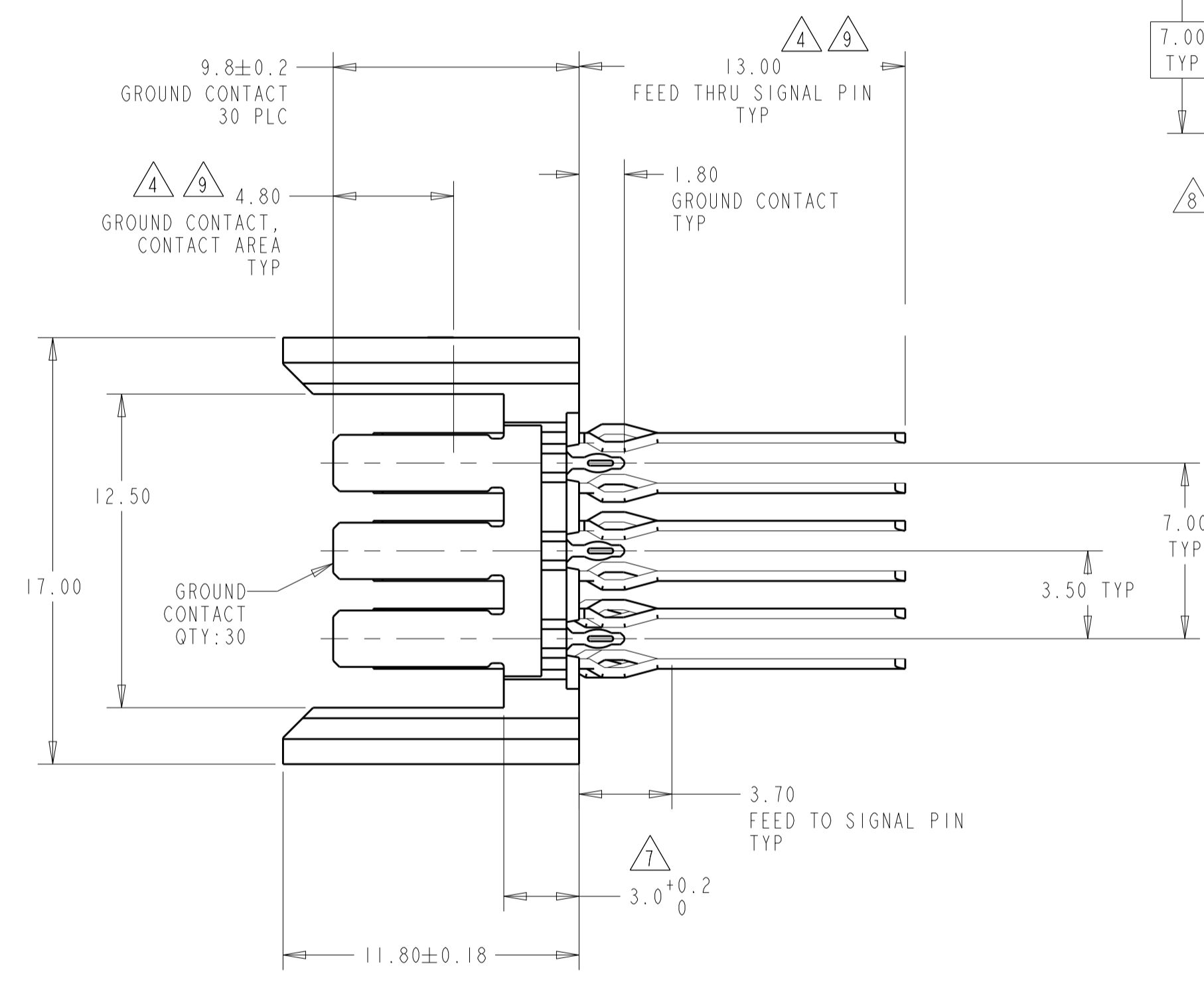
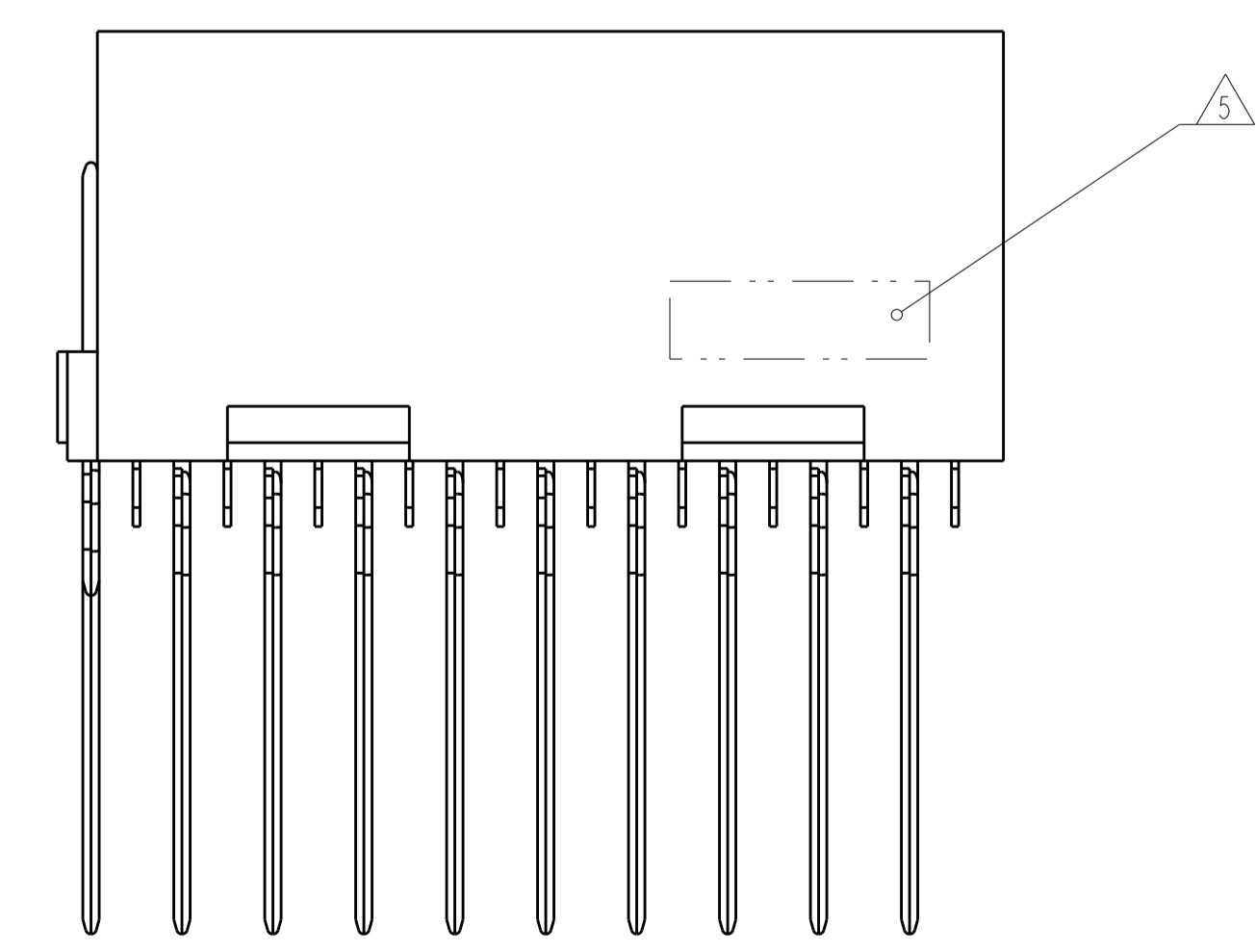
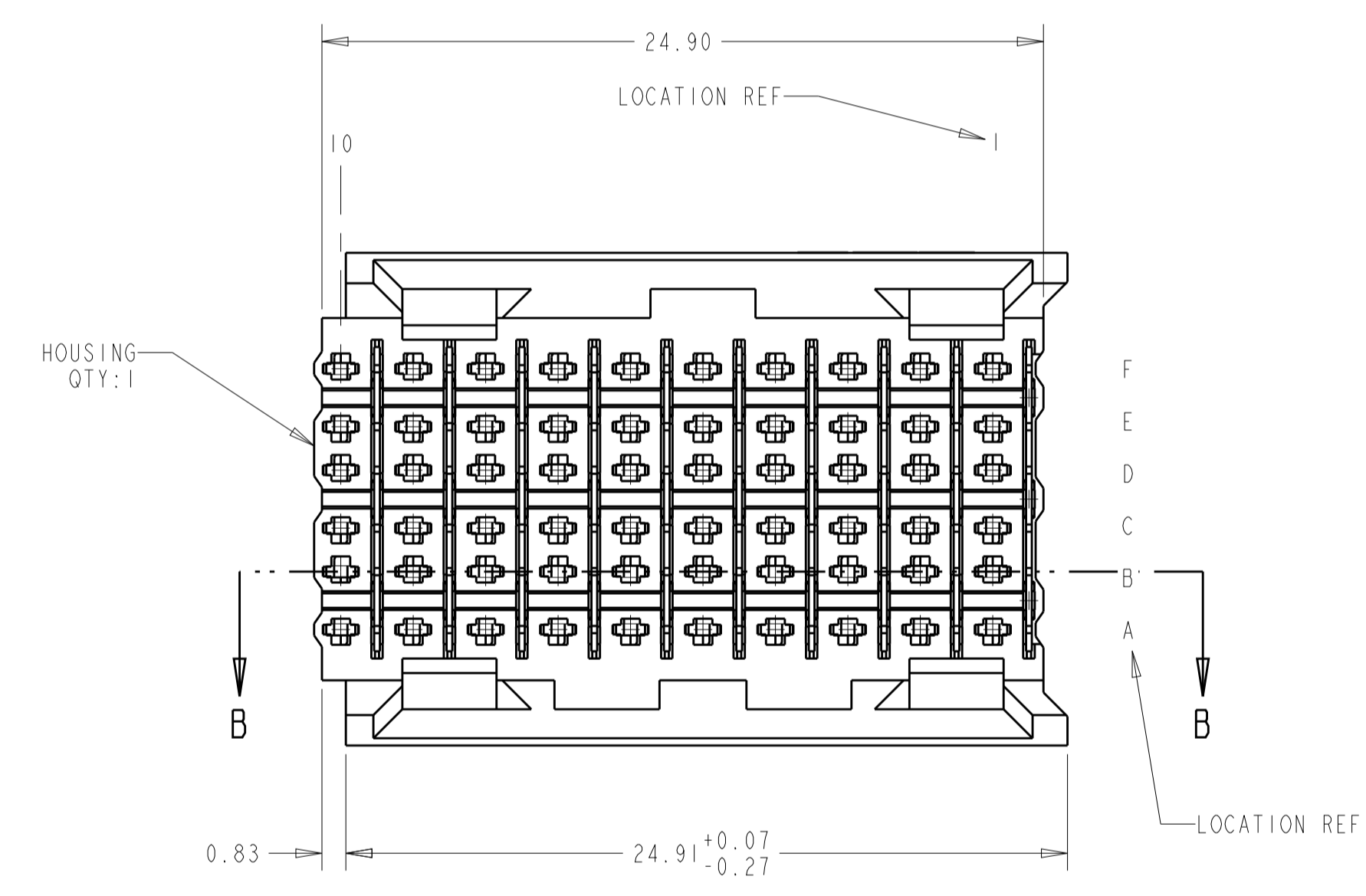
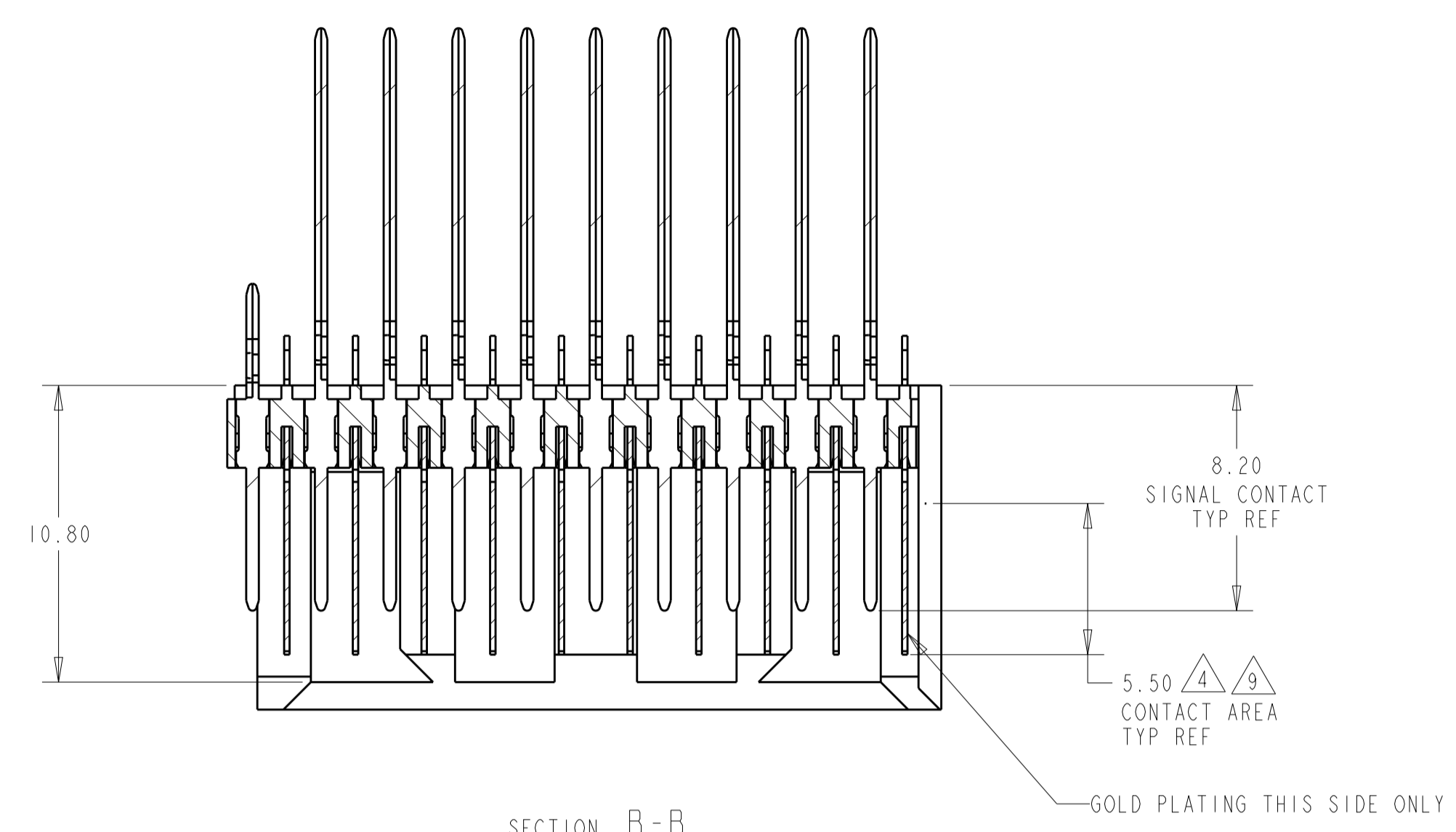


LOC		DIST		REVISIONS			
AD	00	P	LTN	DESCRIPTION	DATE	DWN	APVD
		C		REVISED PER ECO-12-006972	23AUG2012	KH	JE

- 2 PHOSPHOR BRONZE
- 3 LCP, UL94V-0
- 4 FINISH:
CONTACT MATING AREA MEETS THE PERFORMANCE REQUIREMENTS OF
TE CONNECTIVITY PRODUCT SPECIFICATION 108-1957; BASED ON
TELCORDIA GR-1217-CORE; APPLICATIONS IN UNCONTROLLED ENVIRONMENTS.
COMPLIANT PIN AREA: 0.5µm MIN BRIGHT TIN-LEAD OVER BASE PLATING.
- 5 CONNECTOR MARKED WITH PART NUMBER AND DATE CODE
- 6 REFERENCE APPLICATION SPEC 114-13020 FOR RECOMMENDED
PLATED THRU HOLE DIAMETER AND PLATING THICKNESS.
- 7 APPLICATION SEATING HEIGHT TO PRINTED CIRCUIT BOARD
- 8 DATUMS AND BASIC DIMENSIONS ESTABLISHED BY CUSTOMER
- 9 CONTACT AREA LUBRICATED WITH BELLCORE APPROVED LUBRICANT
TECHNICAL REFERENCE: GR-1217-CORE, ISSUE 1, NOVEMBER 1995



THIS DRAWING IS A CONTROLLED DOCUMENT.		DWN: R. IREDA 19FEB2007		TE Connectivity	
DIMENSIONS: mm		CHK: R. PATTERSON 19FEB2007		NAME: HEADER ASSEMBLY, 60 POSITION, 6 ROW, FEED THROUGH, BACKPLANE CONNECTOR, Z-PACK HS3	
TOLERANCES UNLESS OTHERWISE SPECIFIED:		APVD: R. PATTERSON 19FEB2007	PRODUCT SPEC		
0 PLC ±		APPLICATION SPEC		SIZE: A1	
1 PLC ±0.13		CAGE CODE		DRAWING NO: 00779	
2 PLC ±0.05		WEIGHT		CAGE CODE: 120996	
3 PLC ±		CUSTOMER DRAWING		SCALE: 5:1	
4 PLC ±		SHEET 1 OF 1		REV C	
ANGLES ±		FINISH			
MATERIAL: HOUSING: 3		CONTACTS: 2		SIGNAL CONTACT: 4	

Mouser Electronics

Authorized Distributor

Click to View Pricing, Inventory, Delivery & Lifecycle Information:

[TE Connectivity:](#)

[120996-1](#)