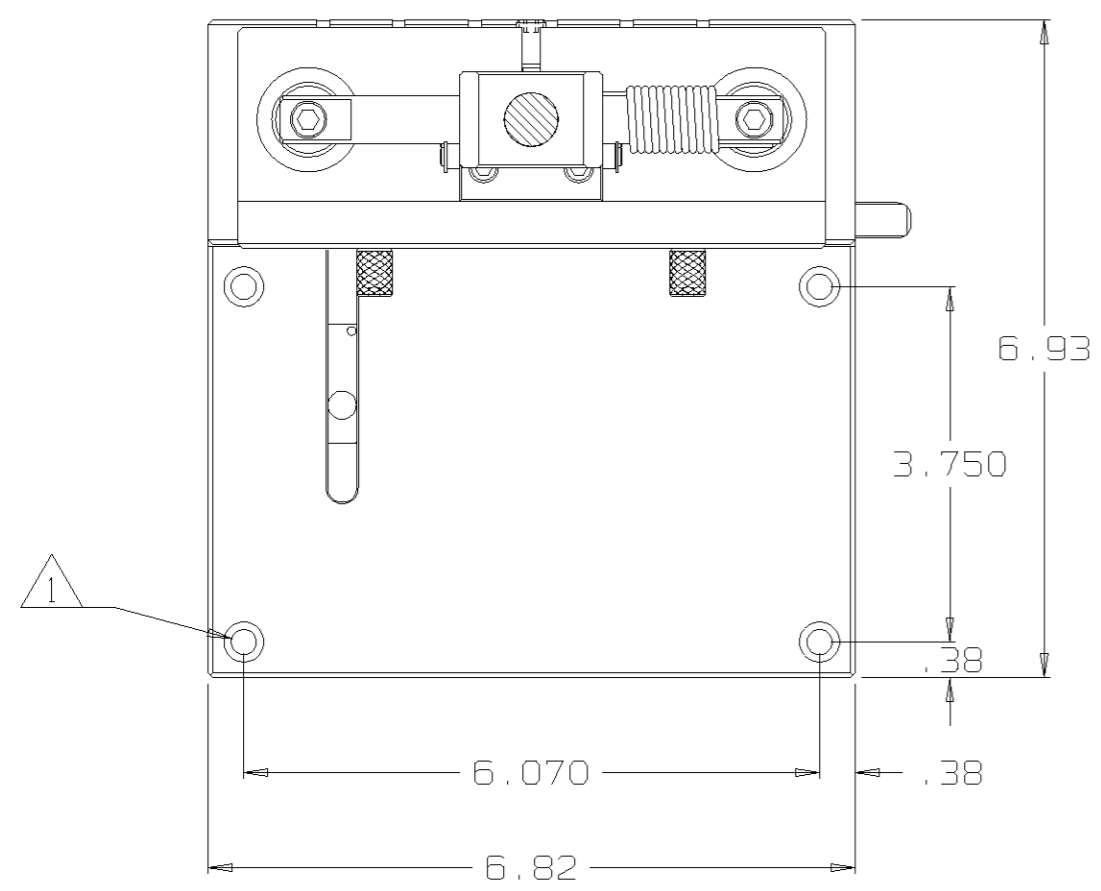
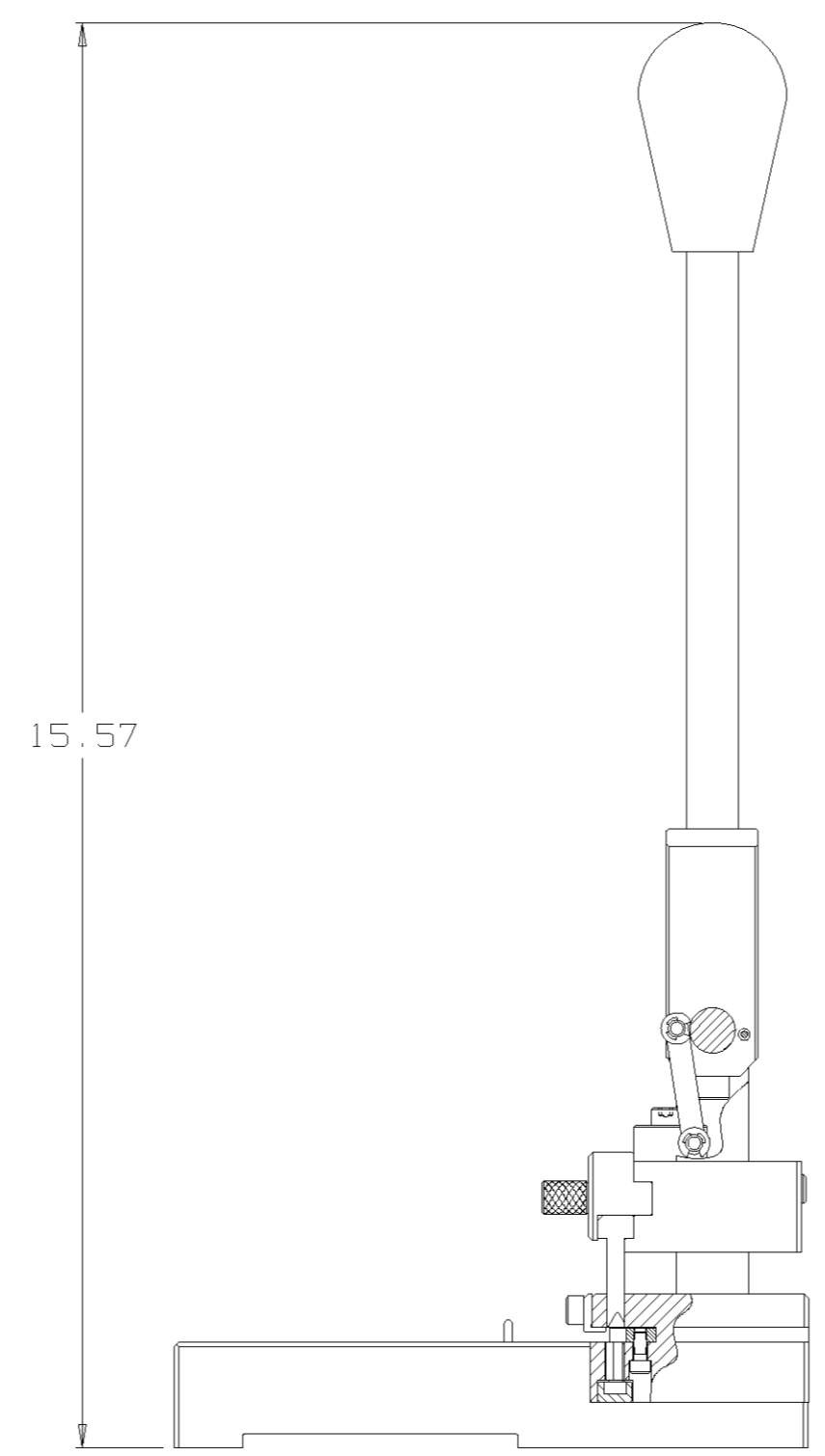
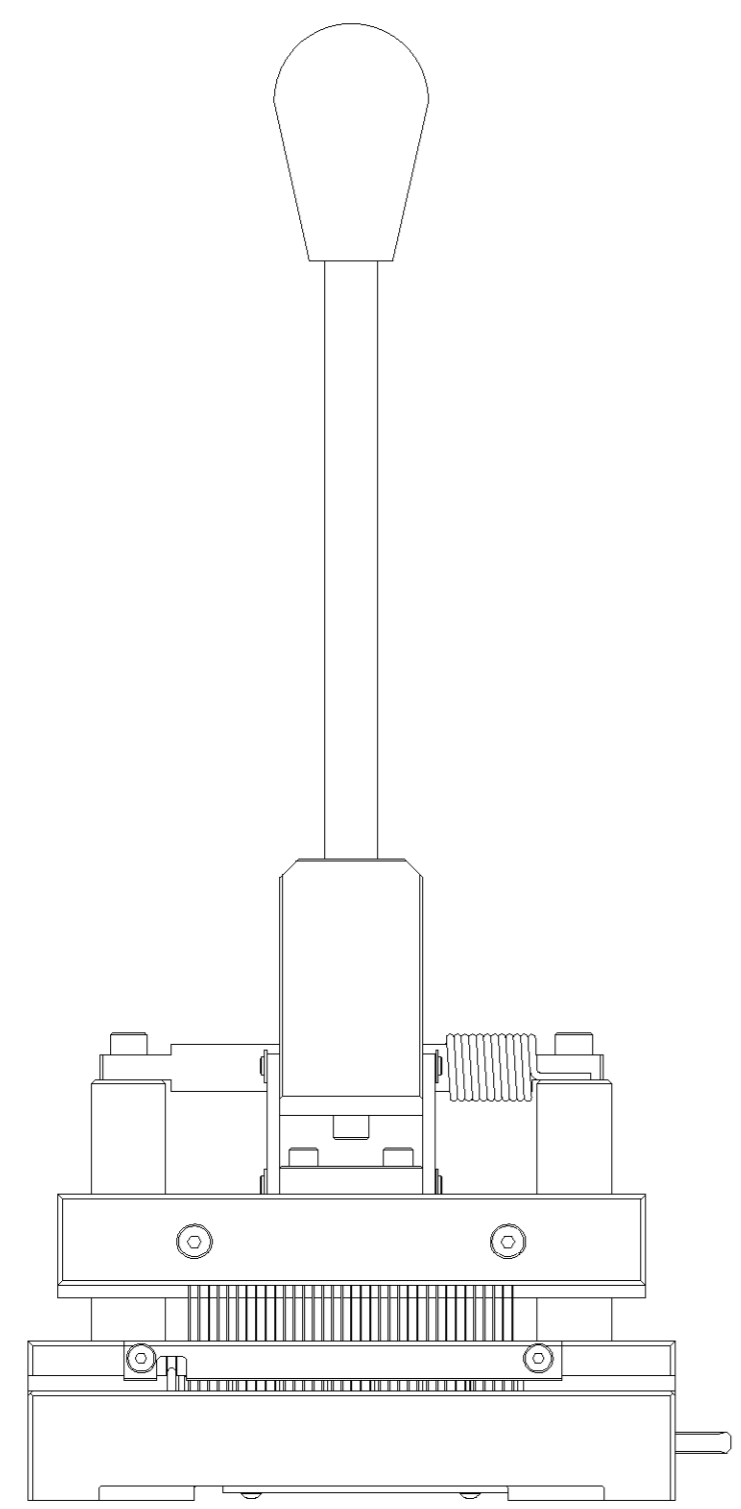


THIS DRAWING IS UNPUBLISHED. RELEASED FOR PUBLICATION .19
 BY AMP INCORPORATED. ALL RIGHTS RESERVED.

LOC	DIST	REVISIONS			
P	LTR	DESCRIPTION	DATE	DWN	APVD
AD	47	E	REVISED & REDRAWN PER EC OG22-0111-99	6-2-99	JG SS



1 USE 1/4-20UNC X .50 MIN LONG SOCKET HEAD CAP SCREWS FOR MOUNTING.



767527-1
PART NUMBER

THIS DRAWING IS A CONTROLLED DOCUMENT.		DWN	J.GERACE	6-2-99	AMP	AMP Incorporated	
		CHK	S.STRICKLER	6-2-99		Harrisburg, PA 17105-3608	
DIMENSIONS:		APVD	A.MDNK	6-2-99	NAME		
INCHES		PRODUCT SPEC		-			
TOLERANCES UNLESS OTHERWISE SPECIFIED:		APPLICATION SPEC		-			
0 PLC ±-		WEIGHT		-			
1 PLC ±-		CUSTOMER DRAWING		-			
2 PLC ±.02		SCALE		1:2			
3 PLC ±.005		SIZE		A2			
4 PLC ±-		CAGE CODE		00779			
ANGLES ±-		DRAWING NO		C=767527			
MATERIAL		SHEET		1 OF 1			
FINISH		REV		E			

Mouser Electronics

Authorized Distributor

Click to View Pricing, Inventory, Delivery & Lifecycle Information:

[TE Connectivity:](#)

[767527-1](#)