

690476-1

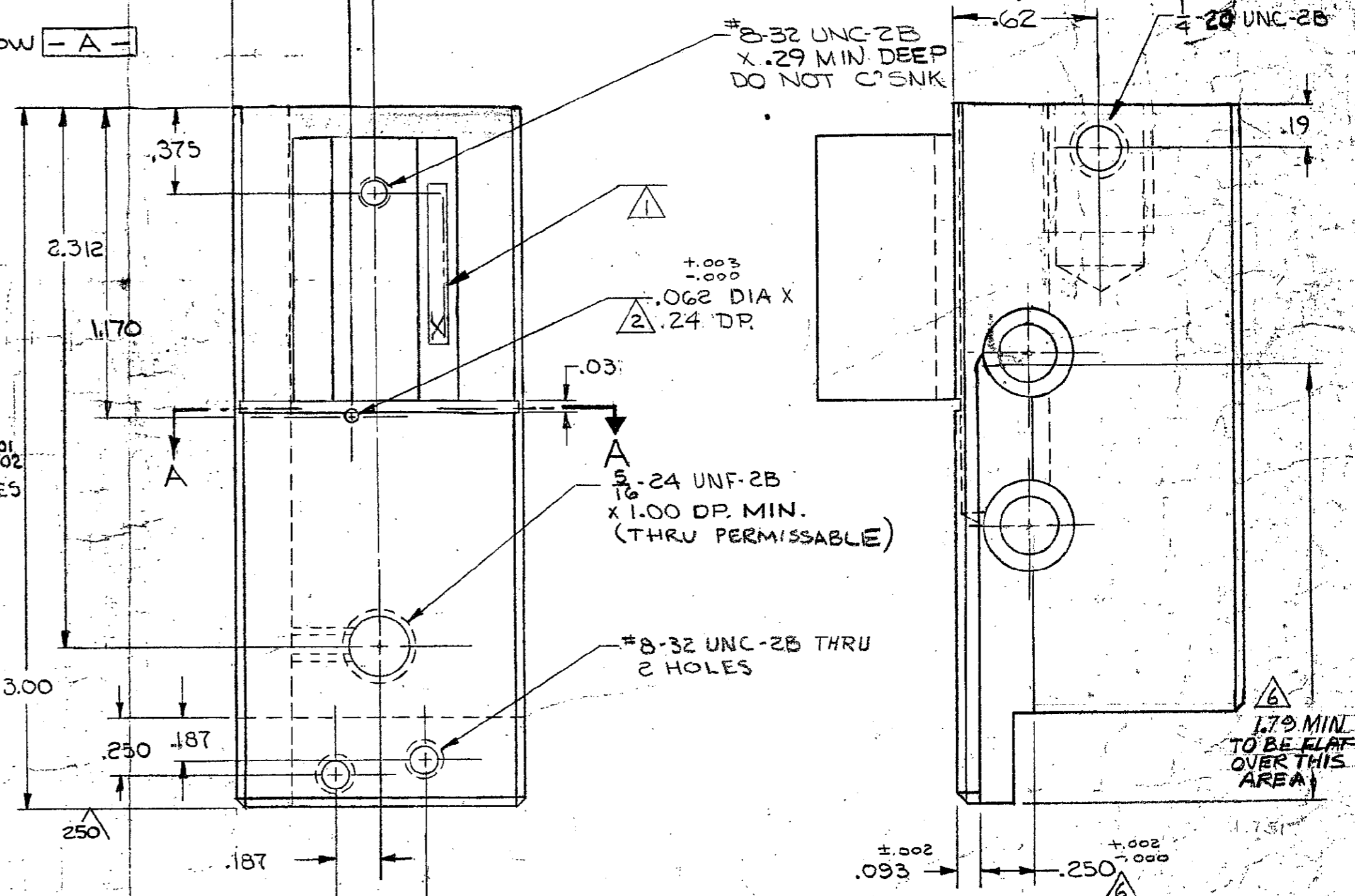
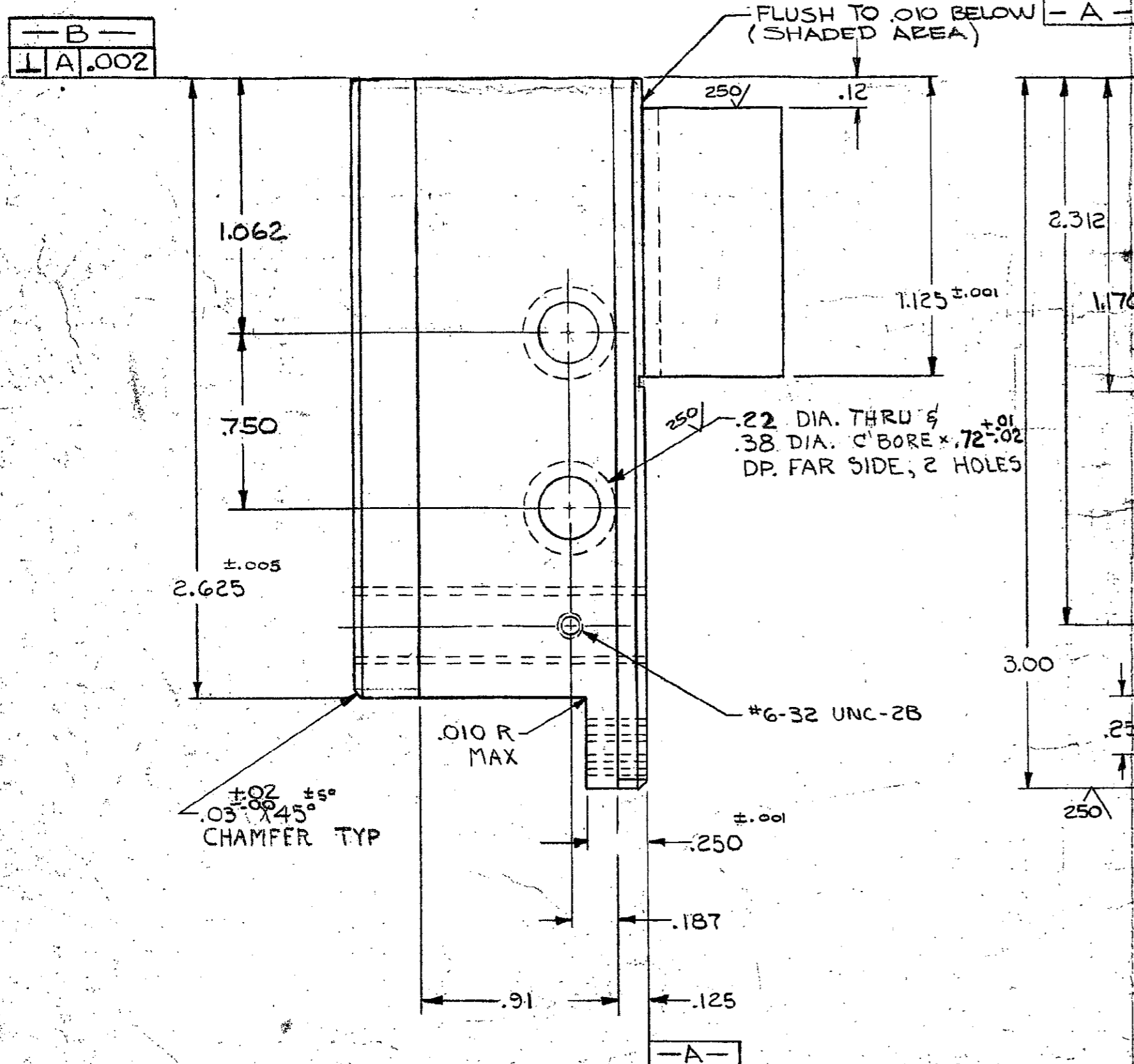
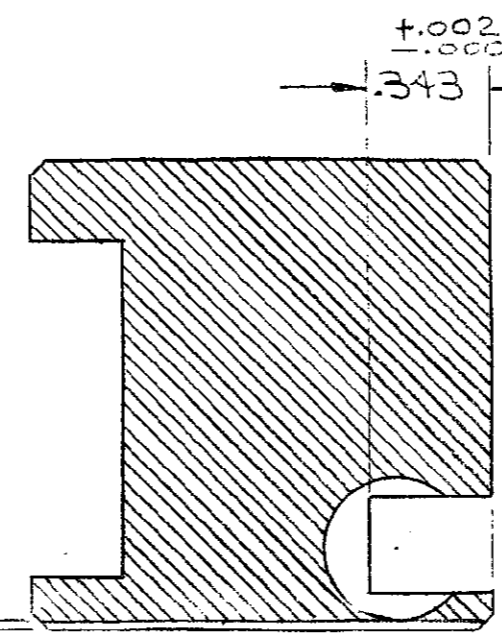
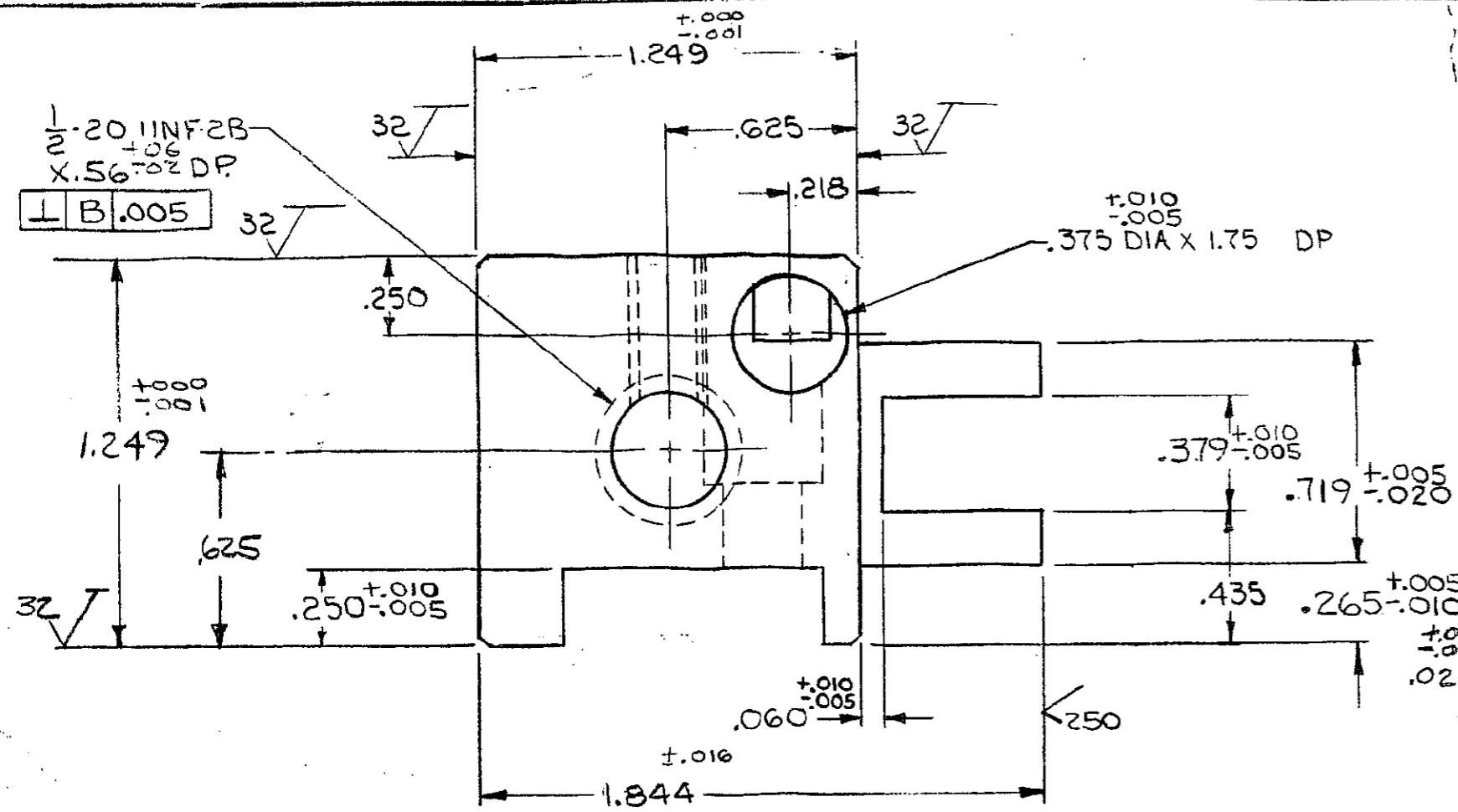
APPLY PART NUMBER PER PROCESS SPEC. 106-2 PARA. 3.3-A OR B IN AREA X

ALT MATL: 100-224 TOOL STL, 100-138 ALY STL, OR NAK 55

INSTALL .062 DIA X .25 ROLL PIN, NOT TO EXTEND OVER .050 ± .005 ABOVE SURFACE

3. ALL CORNER RADII .015 MAX

- 4 INDIVIDUALLY PACKAGE PERMES HD-30
- 5 UNDERCUT MAY BE RADIISED OR ACROSS FACE OF RAM.
- 6 .250 ± .002 SLOT TO BE HELD OVER 1.81 DIM. IT IS PERMISSIBLE FOR SLOT TO CONTINUE TO OTHER END OF PART.



QUAN	PART NO.	DESCRIPTION	REMARKS
1	21028-2	PIN, SLOTTED SPRING	.062 DIA X .25 LG.
1		RAM	

UNLESS OTHERWISE SPECIFIED: FRACTIONS: 1/64 DECIMALS: .005 ± .005 .0000 ± .0005		REMOVE BURRS, BREAK SHARP EDGES .015 R. MAX. ANGLES: ± 0° 30'	
MATERIAL: ALY STL	DR: 10-14-69	APP: I.K. MILLER	125/
HEAT TREAT: H-52	CHK: R. J. HARRIS	REL: R. J. HARRIS	
COATING OR PLATING: A	AMP INCORPORATED, HARRISBURG, PENNA.		
W/ ECN: 0150-0262-100	REV: 10/66	TERMINAL FIRST USED: H Mini App.	LOC: A C
V ECN: R-7146	REV: 10/66	NO: 690476	W
T REV PER ECN: R-5488	REV: 10/66	NAME: RAM APPLICATOR MINI-UNIT	
S1 REV PER ECN: R-3151	REV: 10/66	SCALE: 2:1	
S2 REV PER ECN: R-2045	REV: 10/66	DATE: 2-1	
R SUPD REDRAWN W/CR: 150	REV: 10/66	ECA: DR: CHN: DATE: 2-1	
LTR: REVISION RECORD	ECA: DR: CHN: DATE: 2-1		

USED ON
SIMILAR 238016

THIS INFORMATION IS CONFIDENTIAL AND IS DISCLOSED TO YOU ON CONDITION THAT NO FURTHER DISCLOSURE IS MADE BY YOU TO OTHER THAN AMP PERSONNEL WITHOUT WRITTEN AUTHORIZATION FROM AMP INCORPORATED, HARRISBURG, PA. DIMENSIONS IN INCHES. DO NOT SCALE PRINT.

Mouser Electronics

Authorized Distributor

Click to View Pricing, Inventory, Delivery & Lifecycle Information:

[TE Connectivity:](#)

[690476-1](#)