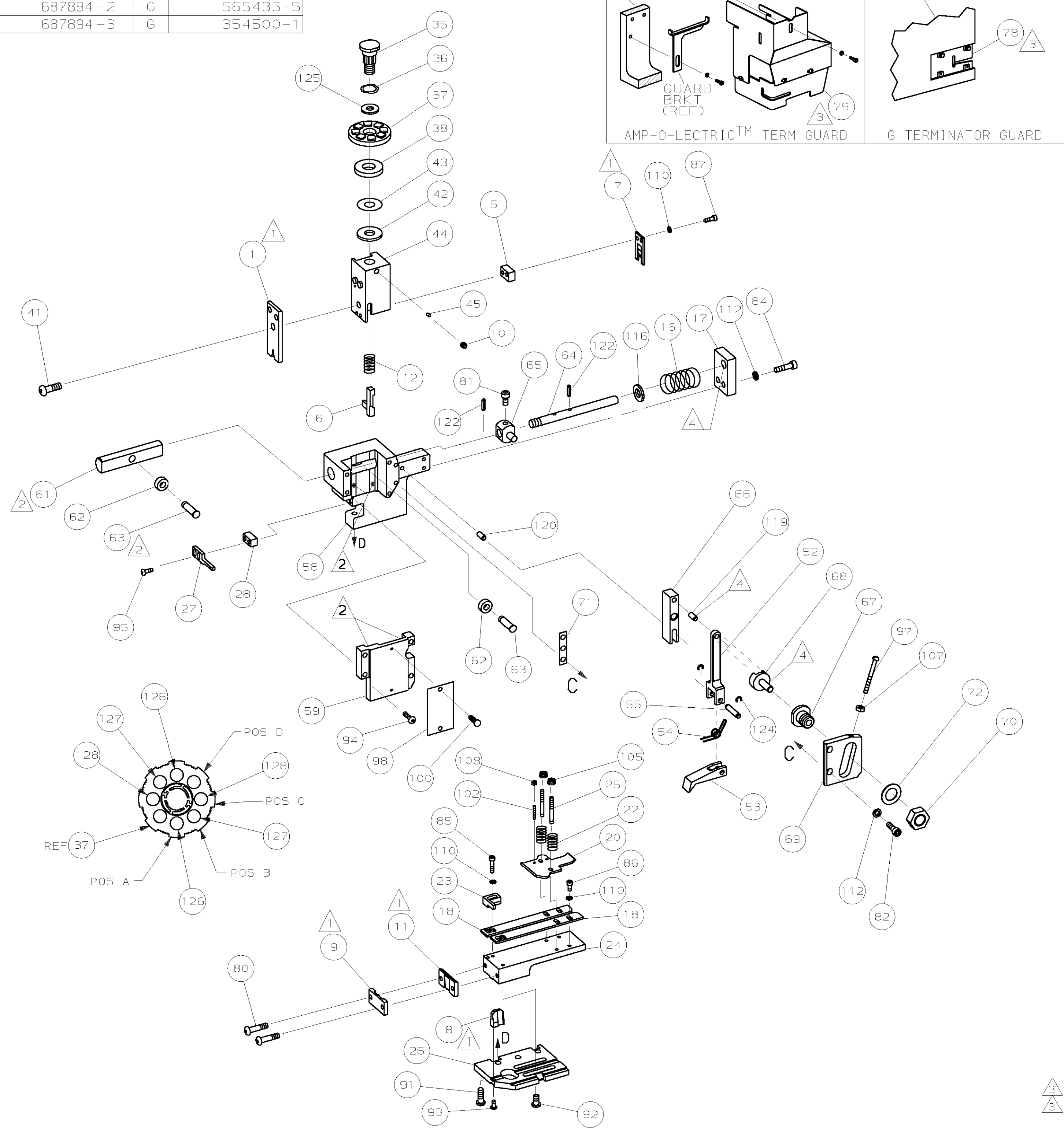
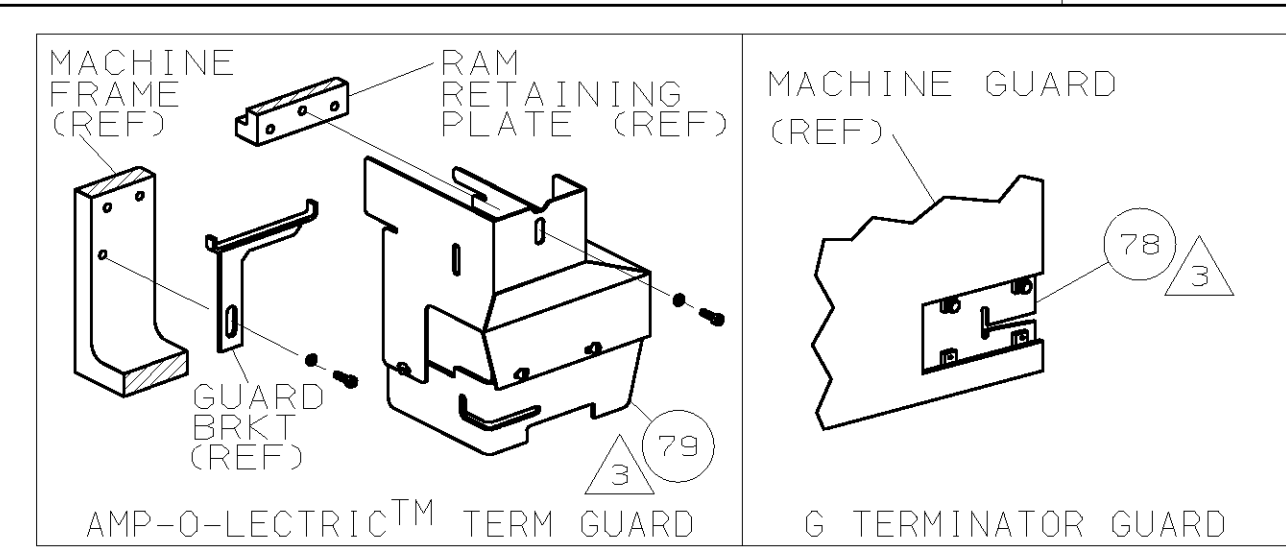
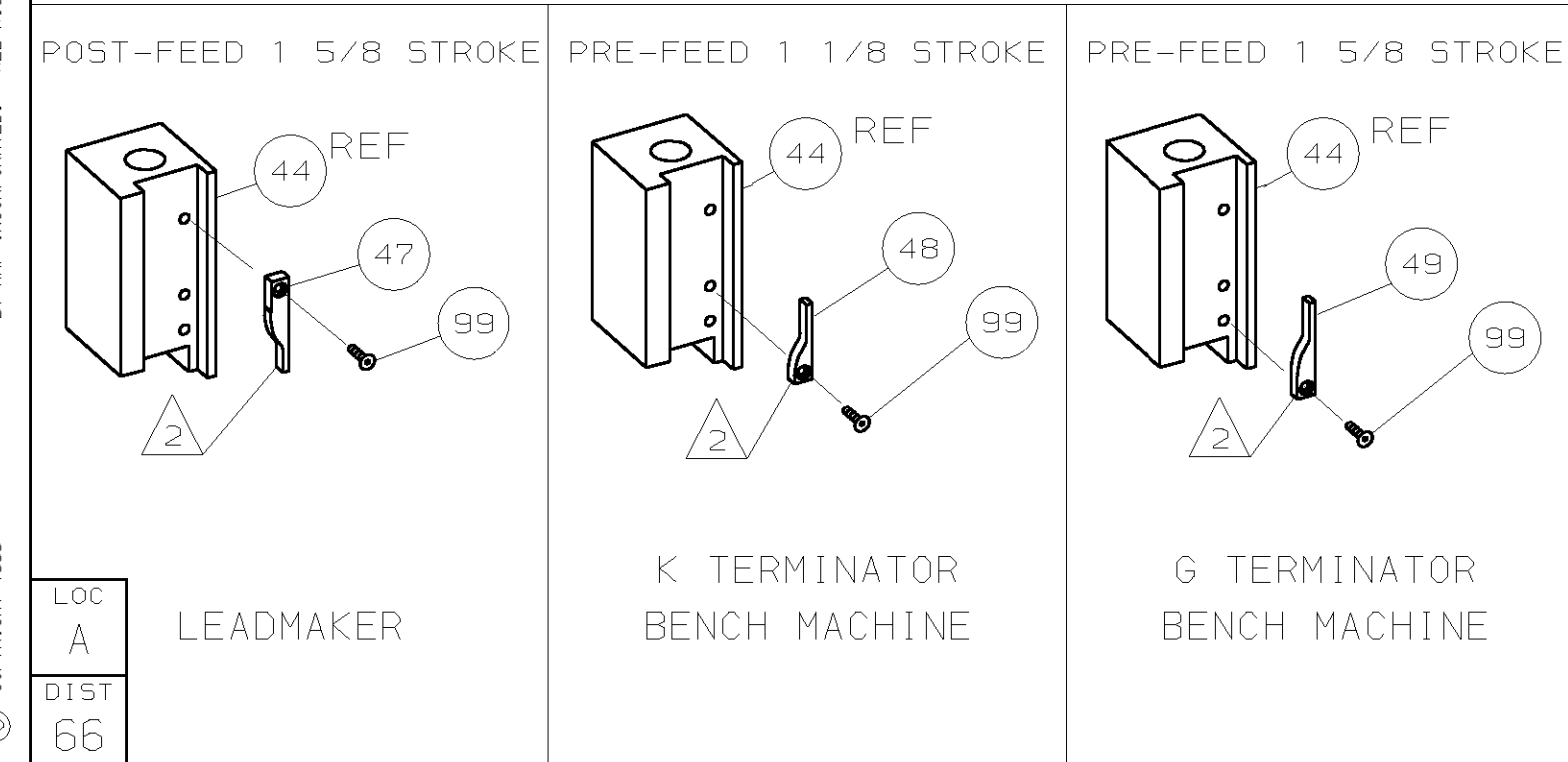


PART NUMBER	REV	FIRST USED
687894-1	G	122500-1
687894-2	G	565435-5
687894-3	G	354500-1



TERMINAL NAME: PIN RECEPTACLE		60440		CRIMPING DATA	
PAD LTR	CRIMP HEIGHT	WIRE SIZE			
A	.045 ±.002 [1.14 ±0.05mm]	18			
B	.039 ±.002 [0.99 ±0.05mm]	20			
C	.036 ±.002 [0.91 ±0.05mm]	22			
D	NOT	USED			
CRIMP	SIZE	TYPE	RANGE		
WIRE	.070 [1.78mm]	F	22-18		
INSUL	-	-	-		

QTY	REF	REF	REF	QTY	DESCRIPTION	ITEM NO	
2	2	2	-	C	5-354779-0	PIN, WIRE DISC (.3240)C	129
2	2	2	-	C	4-354779-4	PIN, WIRE DISC (.3210)B	128
2	2	2	-	C	3-354779-2	PIN, WIRE DISC (.3150)A	127
1	1	1	-	A	986950-1	WASHER, FLAT PRECISION	125
REF	REF	REF	-	A	21045-3	RING, RET "C" (Ø.187)FD PIN	124
REF	REF	REF	-	A	5-21028-1	PIN, STD SPRING(Ø.12)FD ADJ ROD	123
REF	REF	REF	-	A	1-21030-7	PIN, DOWEL (Ø.187x1.50)H56	122
REF	REF	REF	-	A	1-21030-1	PIN, DOWEL (Ø.187x.50)LEVER	121
REF	REF	REF	-	A	21899-4	WASHER, FLAT (Ø5/16) SCR ADJ	119
REF	REF	REF	-	A	21024-5	WASHER, LOCK (NO.10)FD ROD GDE	118
7	7	7	-	A	21024-4	WASHER, LOCK (NO.8)SHEAR BL	117
2	2	2	-	A	21018-4	NUT, HEX (4-40)DRAG	116
REF	REF	REF	-	A	21018-5	NUT, HEX (6-32)FD ADJ PL	115
2	2	2	-	A	21022-2	NUT, HEX SL (8-32)DRAG STUD	114
2	2	2	-	A	2-21006-6	SCR, SKT SET (4-40x.62)DRAG	113
1	1	1	-	A	21009-2	SCR, SKT SET (1/4-20x.25 )RAM	112
2	2	2	-	A	21017-2	SCR, DRIVE (#2x.19) ID PLATE	111
1	1	1	-	A	1-21002-7	SCR, BHC (6-32x.38)CAM	110
1	1	1	-	B	461264-1	PLATE, IDENTIFICATION	109
REF	REF	REF	-	A	6-23715-5	SCR, PAN HD (6-32x1.50)FEED ADJ	108
2	2	2	-	A	2-21002-2	SCR, BHC (8-32x.50)STRIPPER	107
REF	REF	REF	-	A	2-21002-9	SCR, BHC (10-32x.75)H56 CAP	106
1	1	1	-	A	22733-8	SCR, BHC (8-32x.38 LW)ANVIL	105
4	4	4	-	A	3-21002-3	SCR, BHC (1/4-20x.50)ST 6D PL	104
REF	REF	REF	-	A	2-22733-8	SCR, BHC (1/4-20x.62)BASE PL	103
							102
							101
							100
							99
							98
							97
							96
							95
							94
							93
							92
							91
							90
							89
							88
							87
							86
							85
							84
							83
REF	REF	REF	-	A	3-21000-6	SCR, 5HC (10-32x.62)FEED ADJ PL	82
REF	REF	REF	-	A	3-21000-4	SCR, 5HC (10-32x.38)PIVOT BLOCK	81
2	2	2	-	A	3-21002-0	SCR, BHC (10-32x.88)SHEAR PL	80
-	REF	-	-	A	455745-1	GUARD, WINDOW	79
REF	-	-	-	A	679532-1	INSERT, GUARD	78
							77
							76
							75
							74
							73
REF	REF	REF	-	A	458109-1	WASHER, FLAT (SPECIAL)	72
REF	REF	REF	-	A	690517-1	SPACER	71
-3	-2	-1	U/M	DWG SIZE	PART NO	DESCRIPTION	ITEM NO



- 1 RECOMMENDED SPARE PARTS.
- 2 GREASE LIGHTLY.
- 3 GUARD MUST BE IN PLACE WHEN OPERATING APPLICATOR IN A BENCH MACHINE.
- 4 LUBRICATE DAILY USING NO. 20 MACHINE OIL.
- 5. ITEMS WITH QTY OF REF SPECIFIED (EXCEPT ITEMS 78 AND 79) ARE USED ON ITEM 32.

QTY	REF	REF	REF	QTY	DESCRIPTION	ITEM NO	
-1					LEADMAKER		
-2					BENCH MODEL K		
-3					BENCH MODEL G		
REF	REF	REF	-	A	22594-8	NUT, HEX	70
REF	REF	REF	-	B	240628-1	PLATE, ADJ	69
REF	REF	REF	-	B	240626-1	SHAFT, PIVOT	68
REF	REF	REF	-	B	240633-1	BUSHING	67
REF	REF	REF	-	A	455680-1	LEVER, INTERMEDIATE	66
REF	REF	REF	-	B	240629-1	BLOCK, PIVOT	65
REF	REF	REF	-	A	240632-2	SCR, ADJ	64
REF	REF	REF	-	B	240659-3	PIN, CAM ROLLER	63
REF	REF	REF	-	B	240658-1	CAM, ROLLER	62
REF	REF	REF	-	B	454398-1	ROD, FEED	61
REF	REF	REF	-	C	454220-1	CAP, RAM	60
REF	REF	REF	-	D	453736-1	HOUSING	59
							58
							57
							56
REF	REF	REF	-	B	240624-1	PIN, FEED FINGER	55
REF	REF	REF	-	B	691499-1	SPRING, FEED FINGER	54
REF	REF	REF	-	B	240635-1	FINGER, FEED	53
REF	REF	REF	-	B	240634-1	LEVER, TERMINAL	52
							51
							50
1	-	-	-	B	690602-6	CAM, PRE-FEED 1 5/8 ST	49
-	1	-	-	B	690602-5	CAM, PRE-FEED 1 1/8 ST	48
-	-	1	-	B	690501-4	CAM, POST-FEED 1 5/8 ST	47
							46
1	1	1	-	A	690191-1	PLUG, NYLON	45
1	1	1	-	C	455674-1	RAM	44
1	1	1	-	A	690125-1	WASHER, LAMINATED	43
1	1	1	-	A	690124-1	WASHER, RAM	42
1	1	1	-	A	7-21002-9	BOLT, CRIMPER (5/16-24x1.00)	41
							40
							39
1	1	1	-	A	690223-2	SPACER, INSULATION DISC	38
1	1	1	-	D	354777-1	WIRE DISC, PLASTIC	37
1	1	1	-	A	22480-5	WASHER, SPRING	36
1	1	1	-	B	690212-1	POST, RAM	35
							34
							33
1	1	1	-	D	458980-1	APPLICATOR, BASIC (SUB ASSY)	32
							31
							30
							29
1	1	1	-	B	3-690451-2	SPACER, STRIPPER	28
1	1	1	-	A	455566-1	STRIPPER	27
REF	REF	REF	-	C	455676-1	PLATE, BASE	26
2	2	2	-	A	22354-8	DRAG, STUD	25
1	1	1	-	B	455678-1	PLATE, STRIP GUIDE	24
1	1	1	-	C	240825-9	PLATE, STRIP HOLD DOWN	23
2	2	2	-	A	4-22281-1	SPRING, DRAG	22
							21
1	1	1	-	A	454177-1	DRAG, STOCK	20
							19
2	2	2	-	C	454204-1	GUIDE, STRIP (FRONT)	18
REF	REF	REF	-	A	454178-1	GUIDE, FEED ROD	17
REF	REF	REF	-	A	4-22284-9	SPRING, FEED RETURN	16
							15
							14
							13
1	1	1	-	A	23846-1	SPRING, HOLD DOWN	12
1	1	1	-	B	240644-1	PLATE, REAR SHEAR	11
							10
1	1	1	-	B	690482-1	PLATE, FRONT SHEAR	9
1	1	1	-	D	3-240654-7	ANVIL	8
1	1	1	-	B	690474-2	BLADE, SLUG	7
1	1	1	-	D	455892-1	HOLD DOWN, TERMINAL	6
1	1	1	-	C	1-240641-6	SPACER, SLUG BLADE	5
							4
							3
							2
1	1	1	-	C	1-456404-8	CRIMPER, WIRE	1

# Mouser Electronics

Authorized Distributor

Click to View Pricing, Inventory, Delivery & Lifecycle Information:

[TE Connectivity:](#)

[687894-1](#)