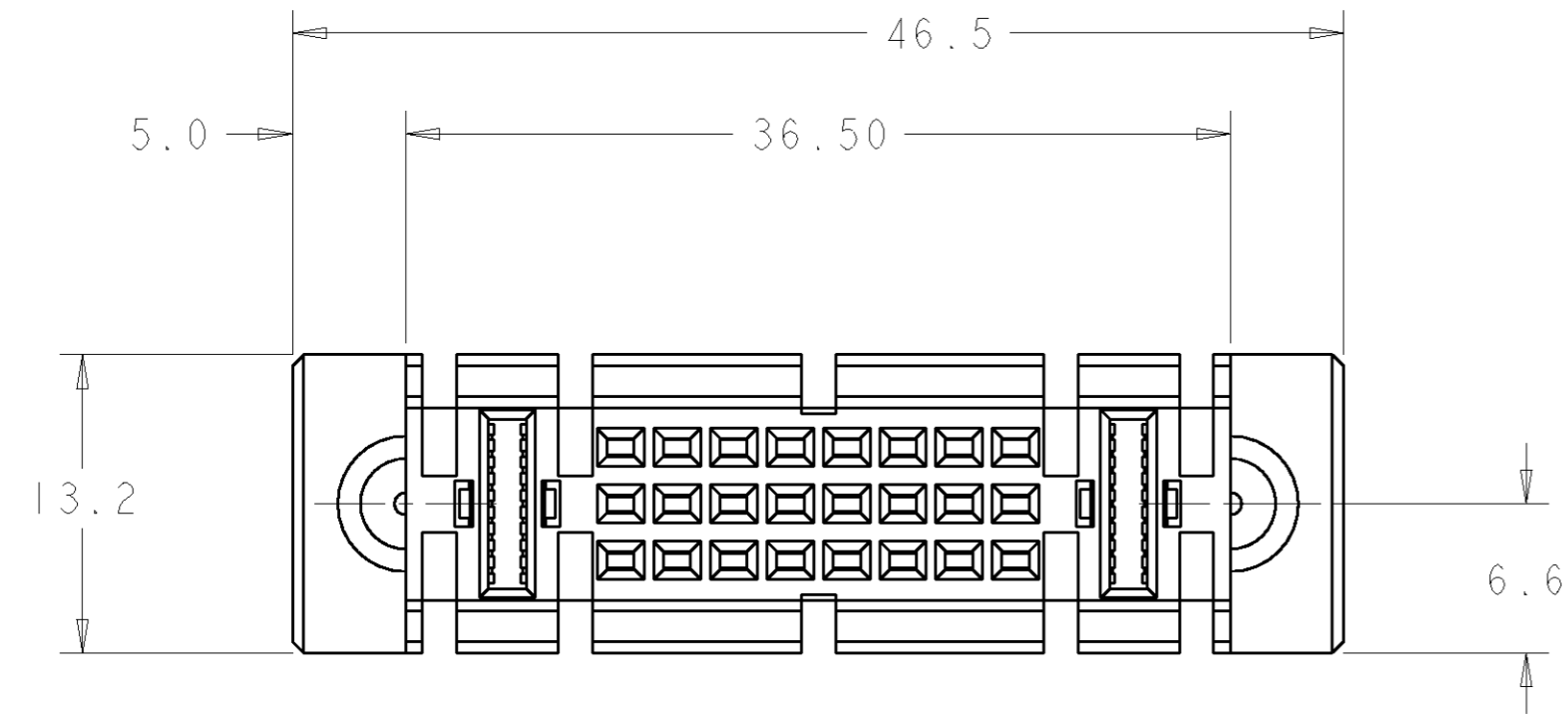


THIS DRAWING IS UNPUBLISHED. RELEASED FOR PUBLICATION 20
 © COPYRIGHT 20 BY TYCO ELECTRONICS CORPORATION. ALL RIGHTS RESERVED.

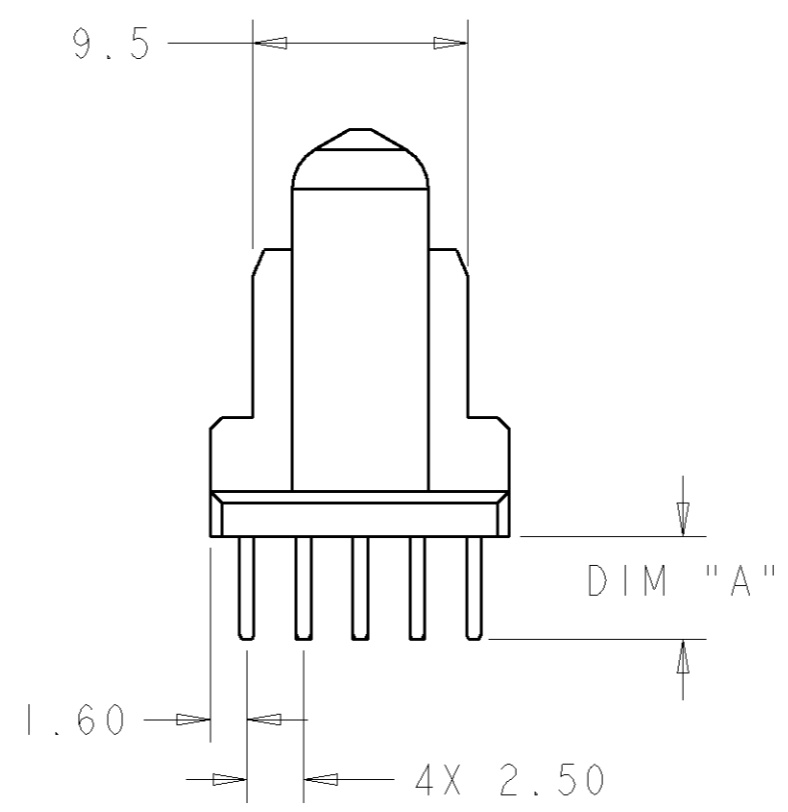
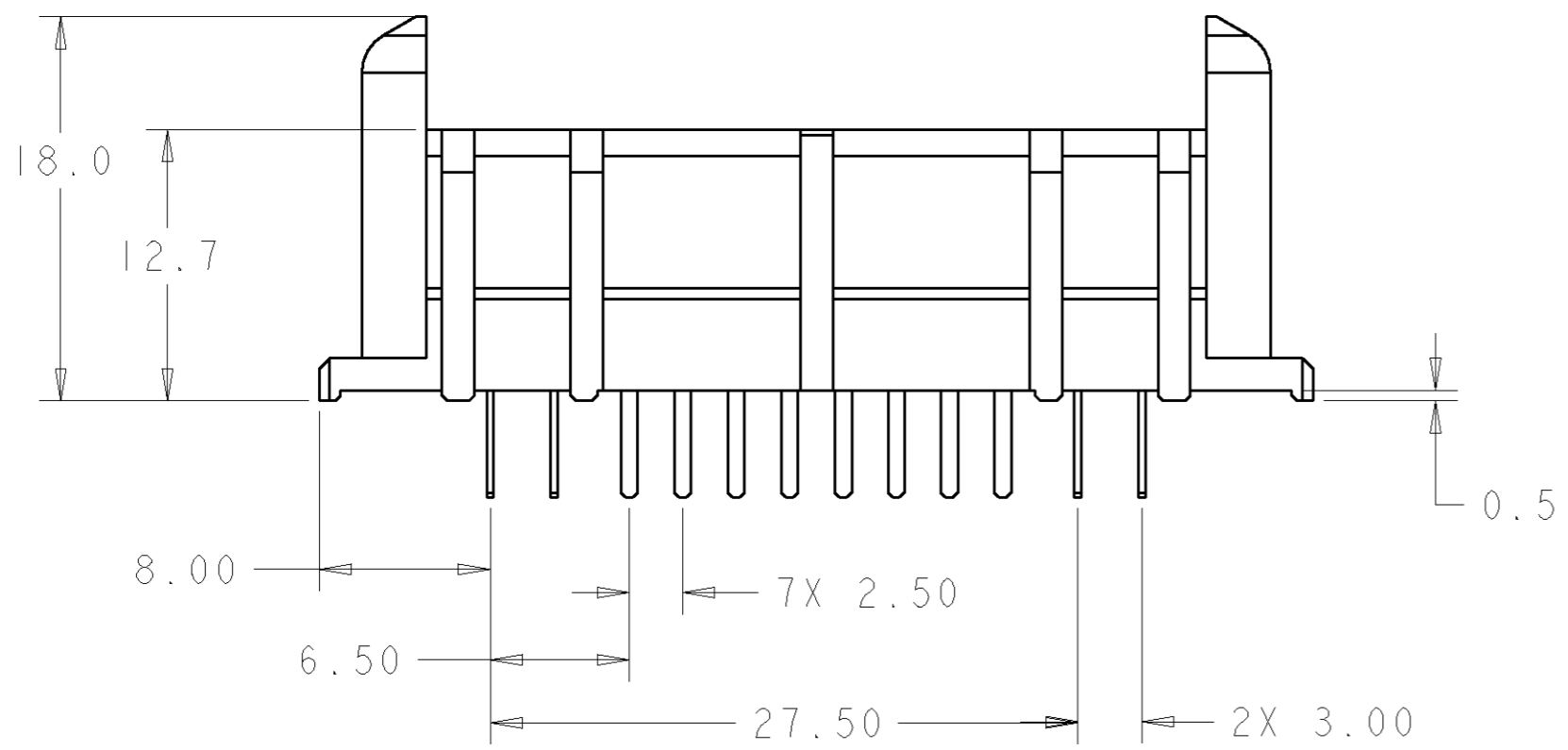
LOC	DIST	REVISIONS					
GP	00	P	LTR	DESCRIPTION	DATE	DWN	APVD
		A		RELEASED	12JUN2007	RG	PD



- PART NUMBER CHANGES AND OR DESIGN CHANGES AFFECTING ITEM INTERCHANGEABILITY REQUIRE PRIOR TYCO ELECTRONICS APPROVAL AND AUTHORIZATION BY REVISION TO THIS DRAWING.
- MATERIAL:
 INSULATORS - THERMOPLASTIC, GLASS REINFORCED, COLOR: BLACK, UL94V-0 FLAMMABILITY RATED.
 CONTACTS - COPPER ALLOY
- FINISH:
 SOLDER CONTACTS - GOLD PLATE 0.76µm MIN. THK. OVER
 NICKEL 1.27µm MIN. THK.
 SOLDER TAILS-TIN 3.05µm MIN. THK. ALL OVER
 NICKEL 1.27µm MIN. THK.
 COMPLIANT CONTACTS-TIN 3.05µm MIN. THK. ALL OVER
 NICKEL 1.27µm MIN. THK.
 COMPLIANT TAILS-TIN 1.02µm MIN. THK. ALL OVER
 NICKEL 1.27µm MIN. THK.

△ ITEMS PROVIDED TO THIS SPECIFICATION TO BE PERMANENTLY IDENTIFIED PER THE FOLLOWING IDENTIFIER LABEL

TYCO ELECTRONICS P/N: XXXXXXXX-X
 DATE CODE (e.g. 0106): YEAR XX WEEK XX



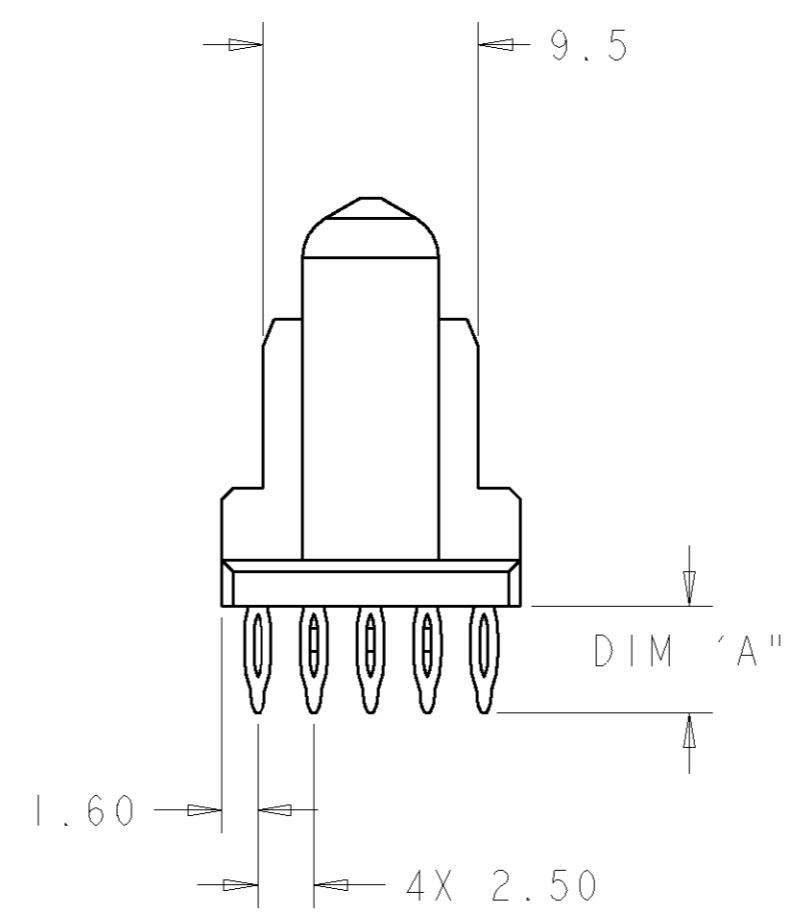
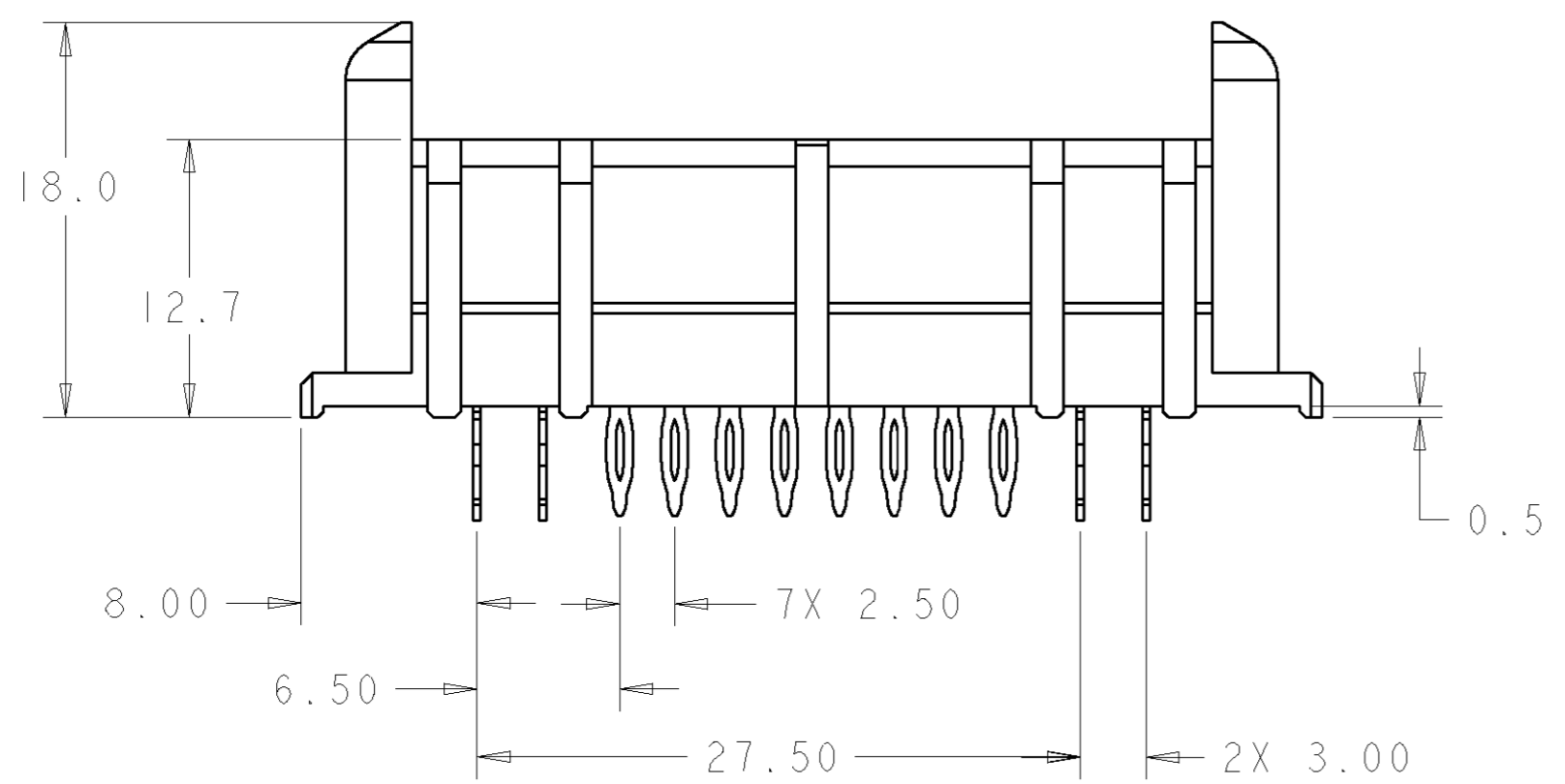
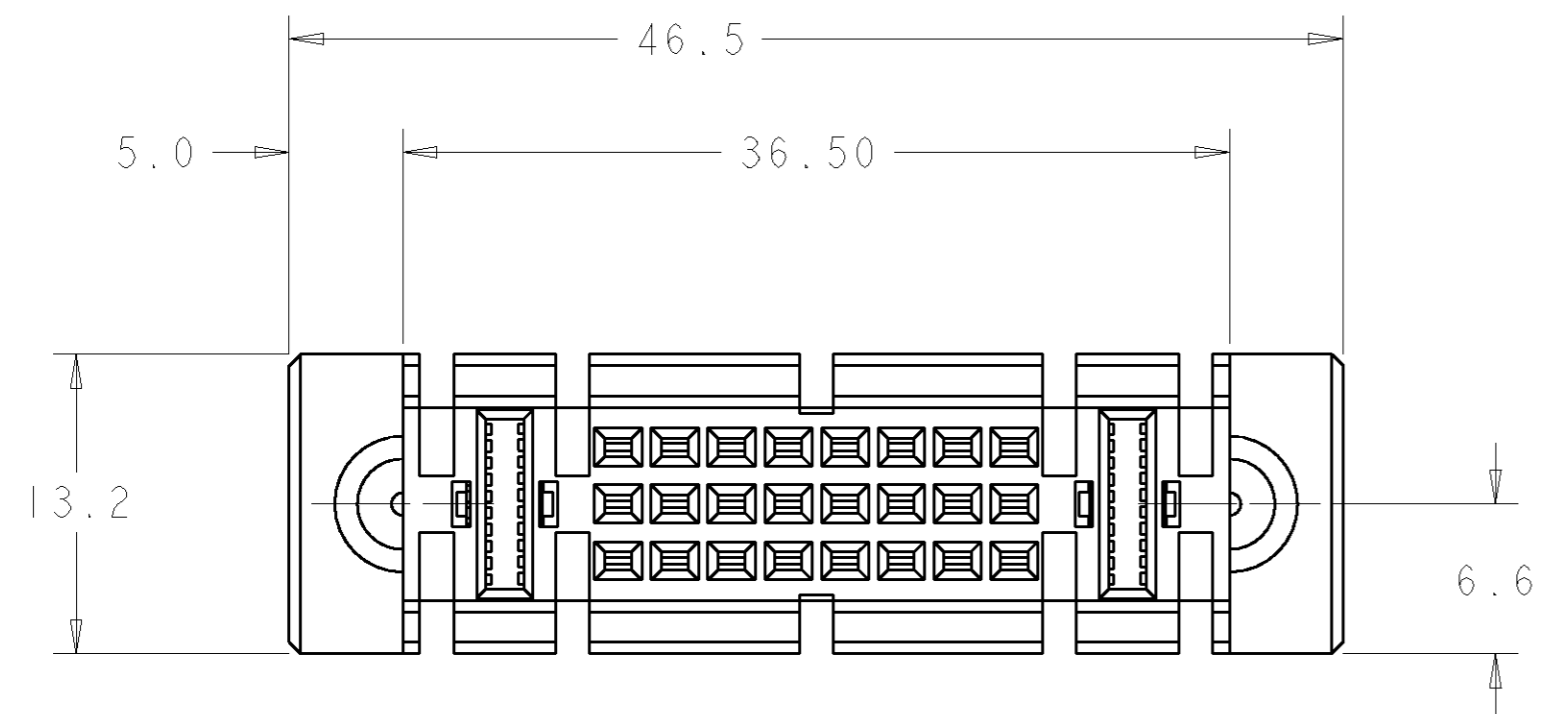
5.08-4.06	COMPLIANT, PAGE 2	6651758-3
5.08-4.06	STD, SOLDER TAIL	6651758-2
3.56-2.54	SHORT, SOLDER TAIL	6651758-1
DIM "A"	DESCRIPTION	PART NUMBER

<small>THIS DRAWING IS A CONTROLLED DOCUMENT FOR TYCO ELECTRONICS CORPORATION. IT IS SUBJECT TO CHANGE AND THE CONTROLLING ENGINEERING ORGANIZATION SHOULD BE CONTACTED FOR THE LATEST REVISION.</small>		DWN R. GRZYBOWSKI 12JUN2007 CHK P. DAMATO 12JUN2007 APVD S. FLICKINGER 12JUN2007	Tyco Electronics Harrisburg, PA 17105-3608
DIMENSIONS: mm 	TOLERANCES UNLESS OTHERWISE SPECIFIED: 0 PLC ±.3 1 PLC ±.3 2 PLC ±.15 3 PLC ±.15 4 PLC ±.15 ANGLES ±.5 FINISH	NAME SOCKET CONNECTOR ASSY, STRAIGHT SHORT/ STD SOLDER COMPLIANT, MINIPAK PRODUCT SPEC - APPLICATION SPEC - WEIGHT -	SIZE A2 CAGE CODE 00779 DRAWING NO. C-6651758 RESTRICTED TO -
MATERIAL -		CUSTOMER DRAWING SCALE 3:1 SHEET 1 OF 4 REV A	

ELCON MINIPAK

THIS DRAWING IS UNPUBLISHED. RELEASED FOR PUBLICATION 20
 © COPYRIGHT 20 BY TYCO ELECTRONICS CORPORATION. ALL RIGHTS RESERVED.

LOC	DIST	REVISIONS					
GP	00	P	LTR	DESCRIPTION	DATE	DWN	APVD
		-		SEE SHEET 1	-	-	-



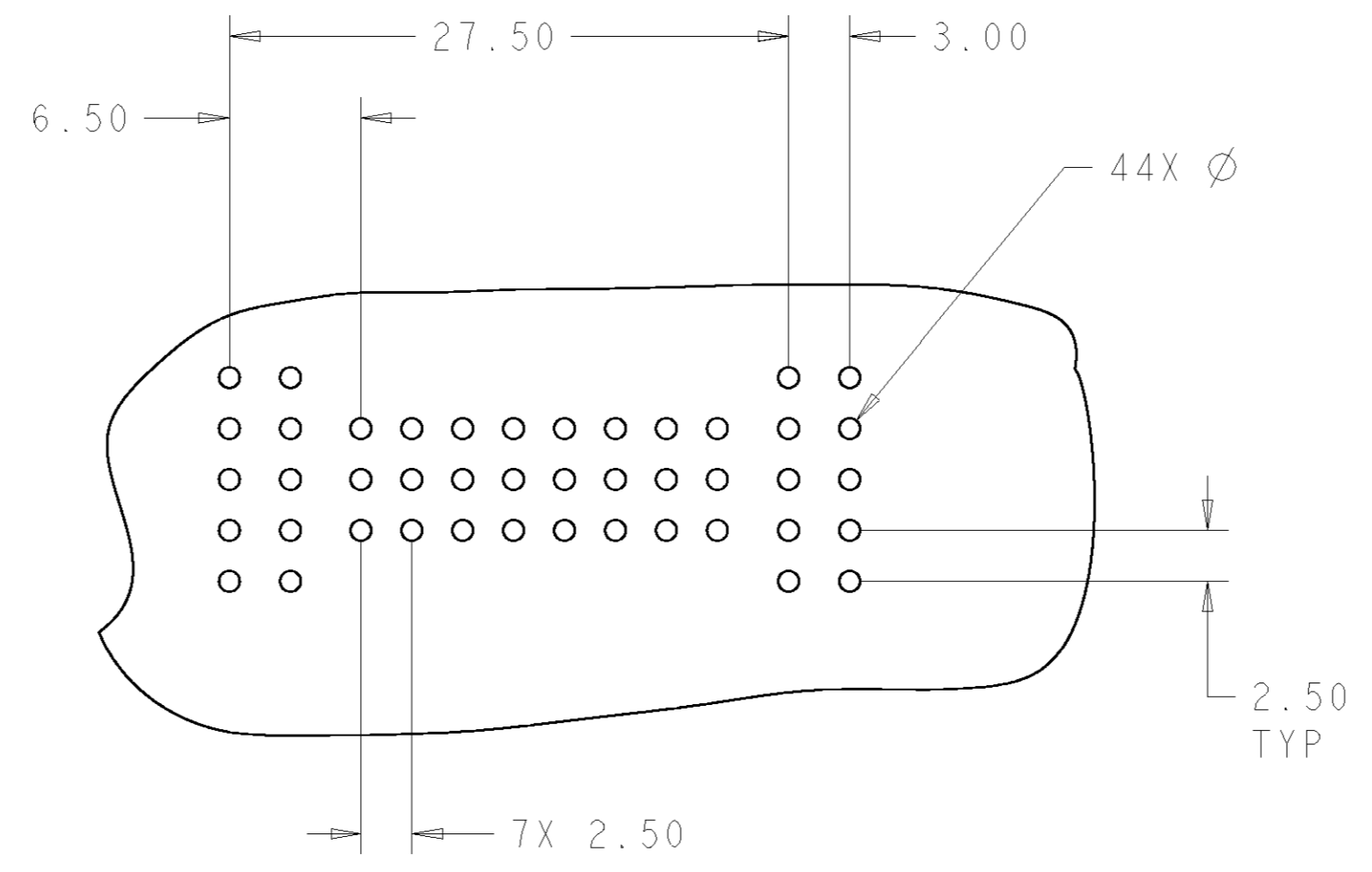
AS SHOWN	6651758-3
DESCRIPTION	PART NUMBER

<small>THIS DRAWING IS A CONTROLLED DOCUMENT FOR TYCO ELECTRONICS CORPORATION. IT IS SUBJECT TO CHANGE AND THE CONTROLLING ENGINEERING ORGANIZATION SHOULD BE CONTACTED FOR THE LATEST REVISION.</small>		DWN R. GRZYBOWSKI 12 JUN 2007 CHK P. DAMATO 12 JUN 2007 APVD S. FLICKINGER 12 JUN 2007	Tyco Electronics Harrisburg, PA 17105-3608
DIMENSIONS: mm 	TOLERANCES UNLESS OTHERWISE SPECIFIED: 0 PLC ± 1 PLC ±.3 2 PLC ±.15 3 PLC ± 4 PLC ± ANGLES ±.5 FINISH	PRODUCT SPEC - APPLICATION SPEC - WEIGHT - CUSTOMER DRAWING	NAME SOCKET CONNECTOR ASSY, STRAIGHT SHORT/ STD SOLDER COMPLIANT, MINIPAK SIZE A200779 CAGE CODE G-6651758 DRAWING NO 6651758 RESTRICTED TO - SCALE 3:1 SHEET 2 OF 4 REV A

ELCON MINIPAK

THIS DRAWING IS UNPUBLISHED. RELEASED FOR PUBLICATION 20
 © COPYRIGHT 20 BY TYCO ELECTRONICS CORPORATION. ALL RIGHTS RESERVED.

LOC	DIST	REVISIONS					
GP	00	P	LTR	DESCRIPTION	DATE	DWN	APVD
		-		SEE SHEET 1	-	-	-

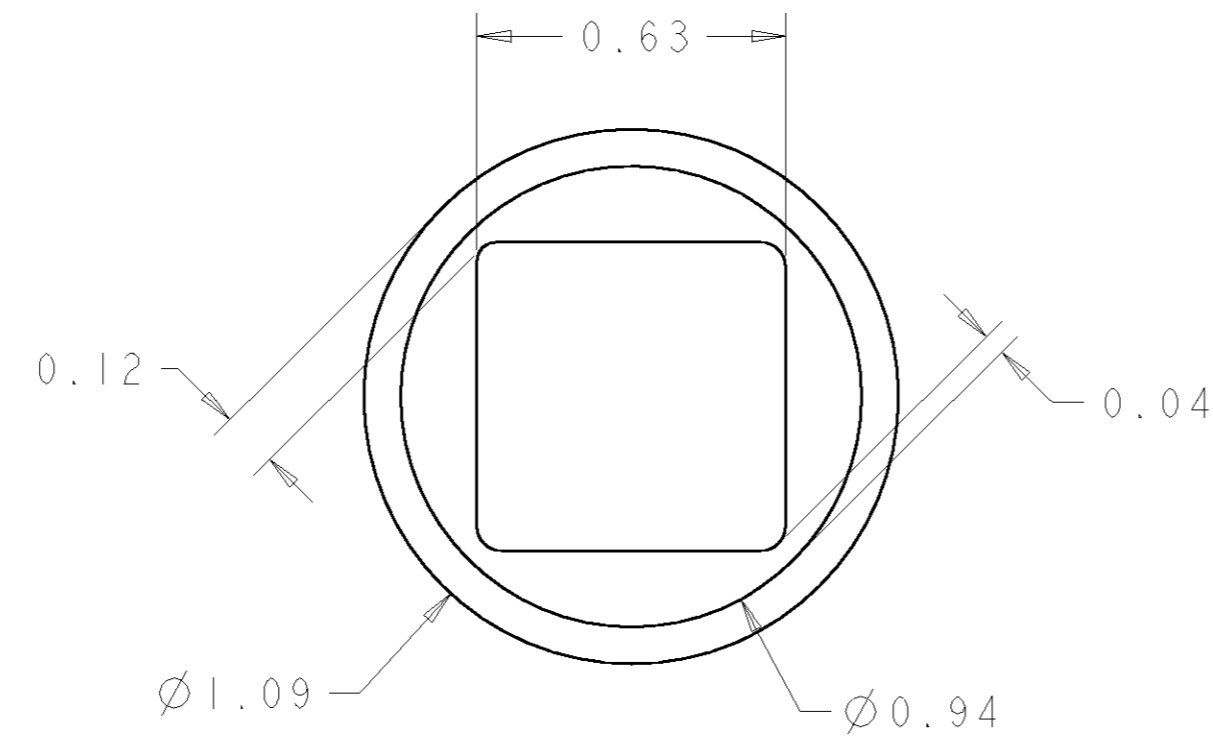
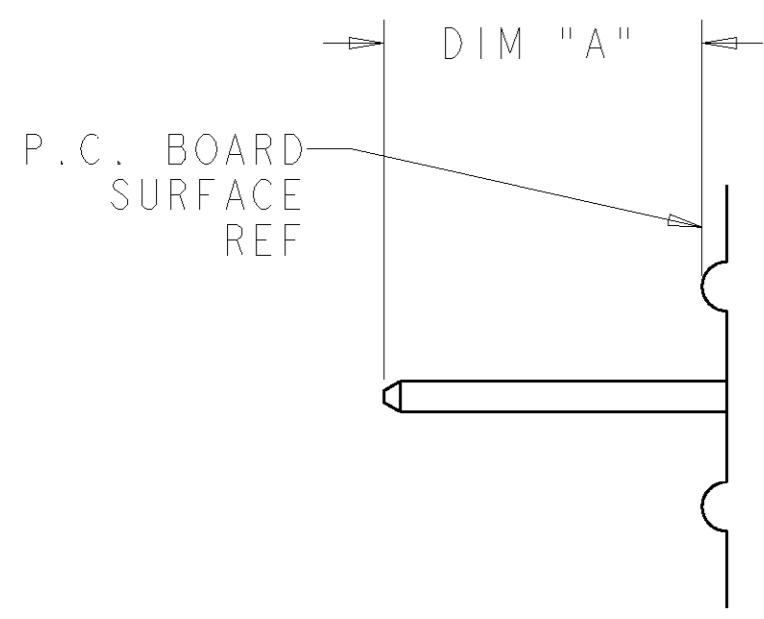


PRINTED CIRCUIT LAYOUT
 COMPONENT SIDE

<small>THIS DRAWING IS A CONTROLLED DOCUMENT FOR TYCO ELECTRONICS CORPORATION IT IS SUBJECT TO CHANGE AND THE CONTROLLING ENGINEERING ORGANIZATION SHOULD BE CONTACTED FOR THE LATEST REVISION.</small>		DWN R. GRZYBOWSKI 12 JUN 2007 CHK P. DAMATO 12 JUN 2007 APVD S. FLICKINGER 12 JUN 2007	Tyco Electronics Harrisburg, PA 17105-3608
DIMENSIONS: mm 	TOLERANCES UNLESS OTHERWISE SPECIFIED: 0 PLC ±.3 1 PLC ±.3 2 PLC ±.15 3 PLC ±.15 4 PLC ±.15 ANGLES ±.5 FINISH	NAME SOCKET CONNECTOR ASSY, STRAIGHT SHORT/ STD SOLDER COMPLIANT, MINIPAK PRODUCT SPEC - APPLICATION SPEC - WEIGHT -	SIZE A2 CAGE CODE 00779 DRAWING NO. C-6651758 RESTRICTED TO -
MATERIAL	-	CUSTOMER DRAWING	SCALE 3:1 SHEET 3 OF 4 REV A

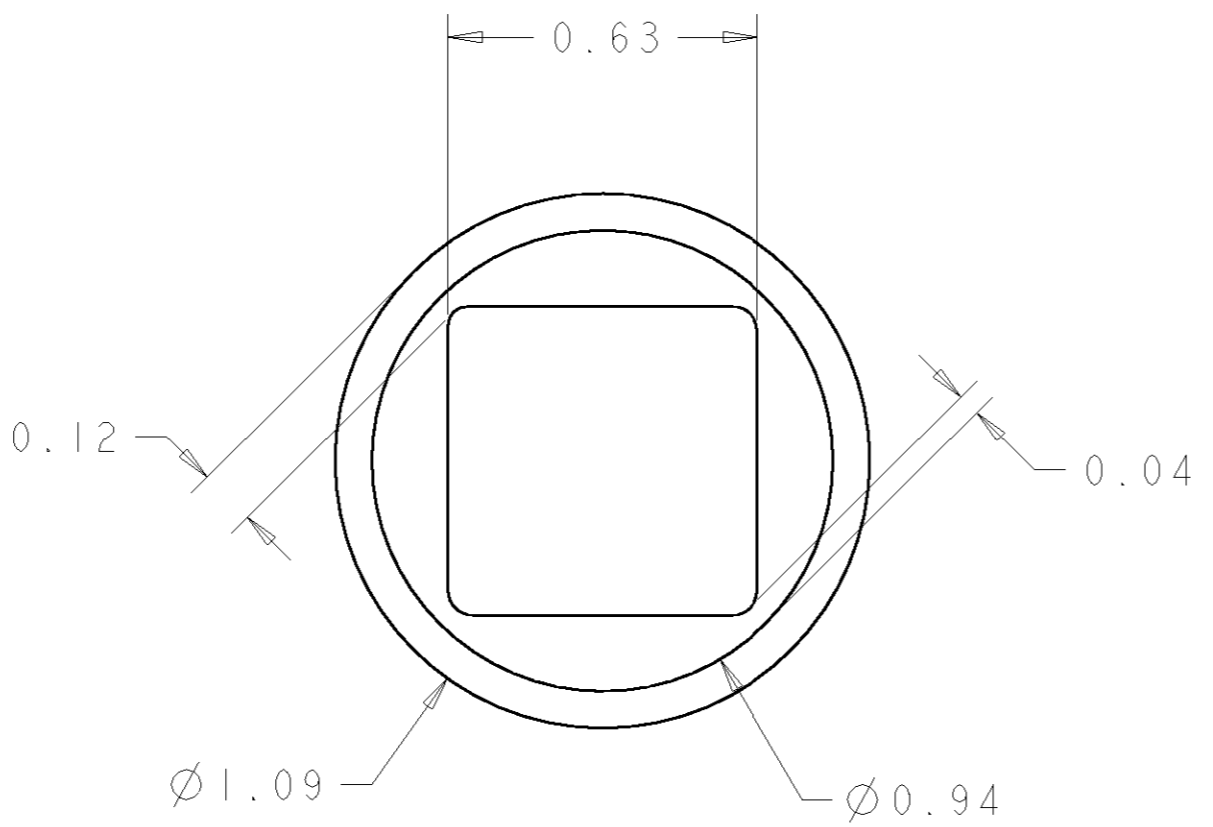
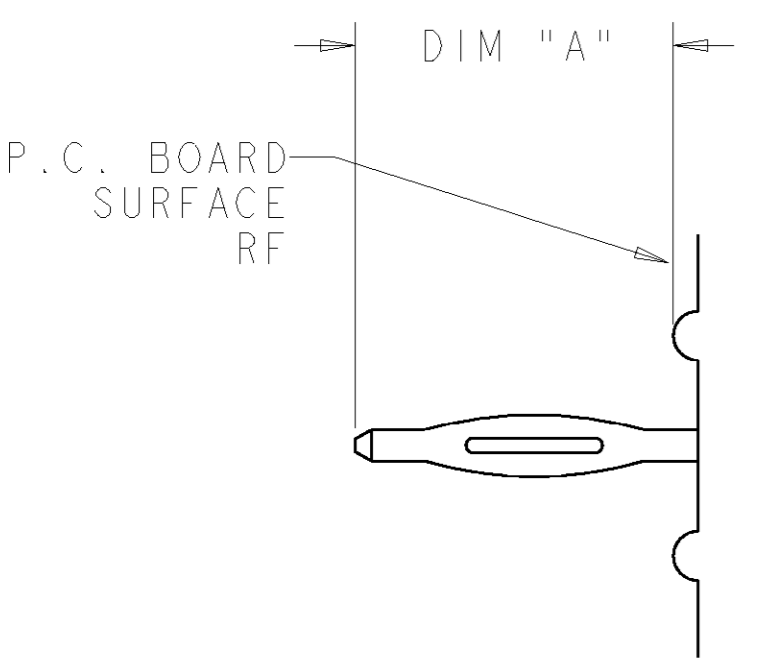
THIS DRAWING IS UNPUBLISHED. RELEASED FOR PUBLICATION 20
 © COPYRIGHT 20 BY TYCO ELECTRONICS CORPORATION. ALL RIGHTS RESERVED.

LOC	DIST	REVISIONS					
GP	00	P	LTR	DESCRIPTION	DATE	DWN	APVD
		-		SEE SHEET 1	-	-	-



6. SOLDER PIN DETAIL
SCALE 10:1

△ SOLDER TERMINATION AREA
SCALE 40:1
 RECOMMENDED PRINTED CIRCUIT SOLDER HOLE
 FINISHED HOLE: $\varnothing 1.02$ [.040] $\pm .08$ [.003]
 DRILLED HOLE: $\varnothing 1.15$ [.0453] $\pm .013$ [.0005]
 COPPER PLATE: .025 [.0010] MIN
 TIN PLATE: .008 [.0003] MIN. (PER SURFACE)



6. COMPLIANT PIN DETAIL
SCALE 10 : 1
 INSERTION/EXTRACTION FORCES
 MAXIMUM PUSH IN: 133.3N PER PIN
[30 LBS]
 MINIMUM PUSH OU: 44.4N PER PIN
[10 LBS]

△ SOLDER TERMINATION AREA
SCALE 40:1
 RECOMMENDED PRINTED CIRCUIT HOLE
 COMPLIANT PRESS FIT
 DRILLED HOLE: $\varnothing 1.15$ [.0453] $\pm .013$ [.0005]
 COPPER PLATE: .025 [.0010] MIN
 TIN PLATE: .008 [.0003] MIN. (PER SURFACE)

<small>THIS DRAWING IS A CONTROLLED DOCUMENT FOR TYCO ELECTRONICS CORPORATION IT IS SUBJECT TO CHANGE AND THE CONTROLLING ENGINEERING ORGANIZATION SHOULD BE CONTACTED FOR THE LATEST REVISION.</small>		DWN R.GRZYBOWSKI 12 JUN 2007 CHK P.DAMATO 12 JUN 2007 APVD S.FLICKINGER 12 JUN 2007	Tyco Electronics Harrisburg, PA 17105-3608
DIMENSIONS: mm	TOLERANCES UNLESS OTHERWISE SPECIFIED: 0 PLC \pm .3 1 PLC \pm .3 2 PLC \pm .15 3 PLC \pm .15 4 PLC \pm .15 ANGLES \pm 5 FINISH	PRODUCT SPEC - APPLICATION SPEC - WEIGHT -	NAME SOCKET CONNECTOR ASSY, STRAIGHT SHORT/ STD SOLDER COMPLIANT, MINIPAK SIZE A200779 CAGE CODE C-6651758 DRAWING NO G-6651758 RESTRICTED TO -
MATERIAL -		CUSTOMER DRAWING	
		SCALE 3:1	SHEET 4 OF 4 REV A

Mouser Electronics

Authorized Distributor

Click to View Pricing, Inventory, Delivery & Lifecycle Information:

[TE Connectivity:](#)

[6651758-2](#)