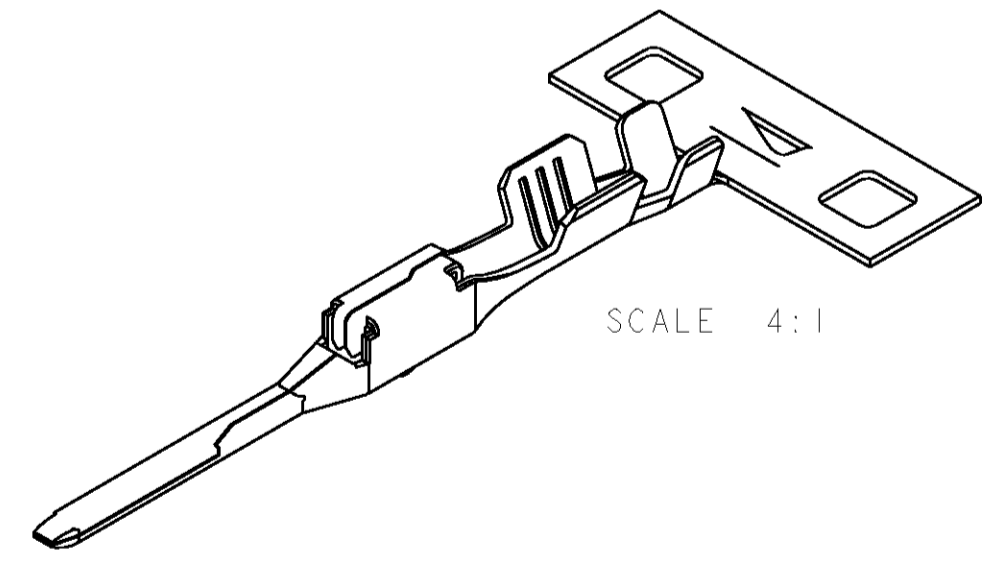
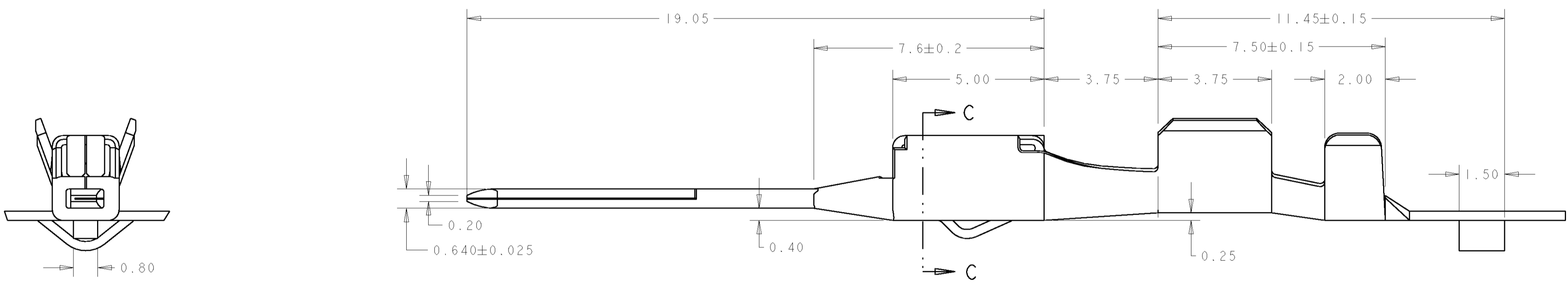
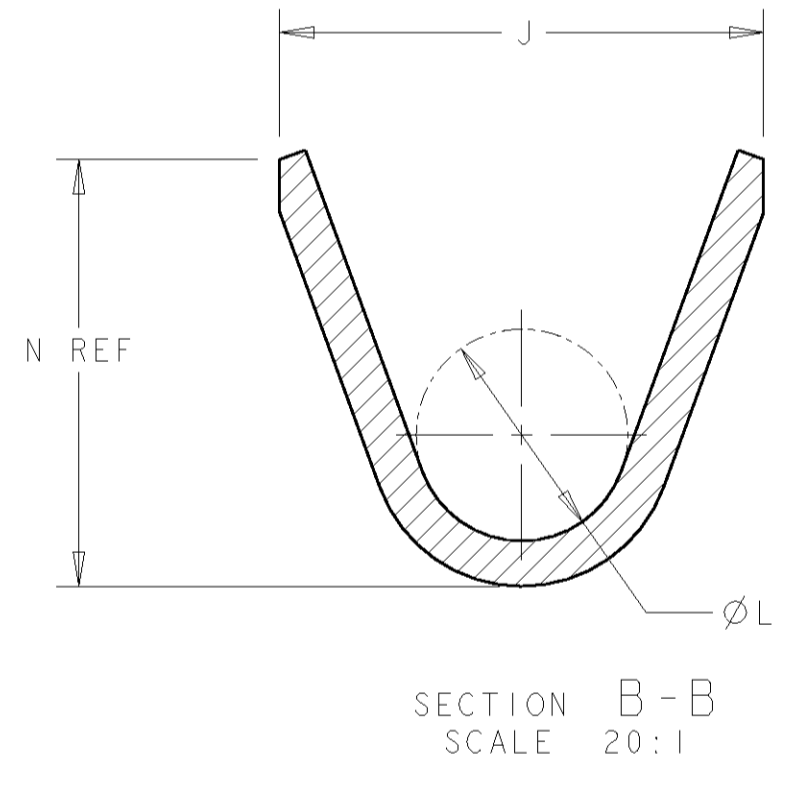
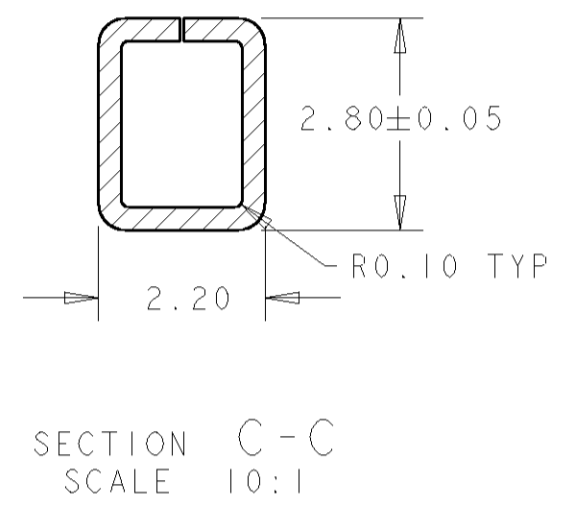
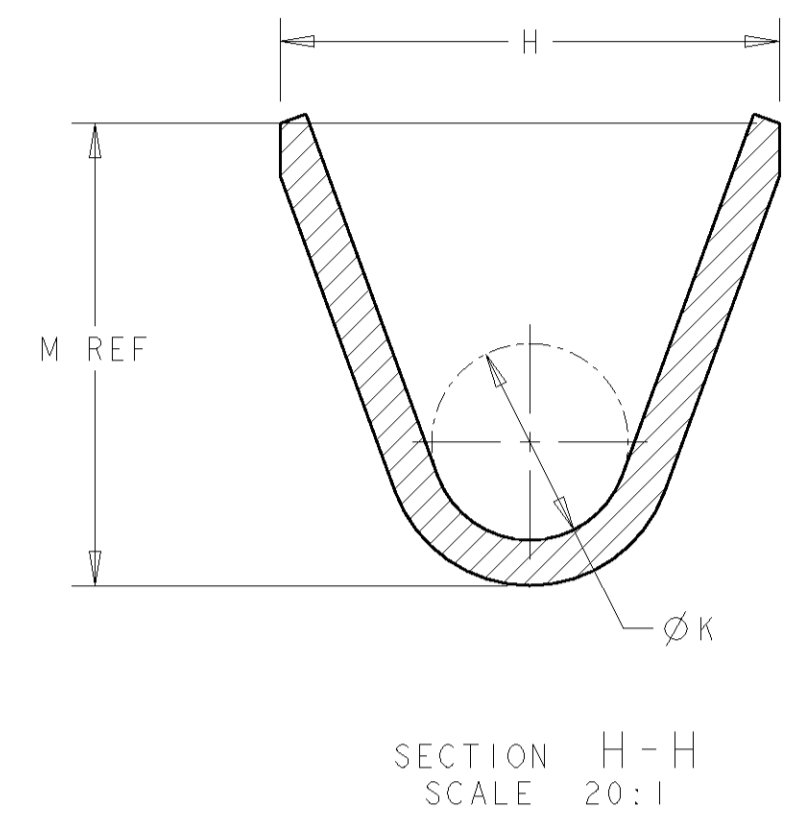
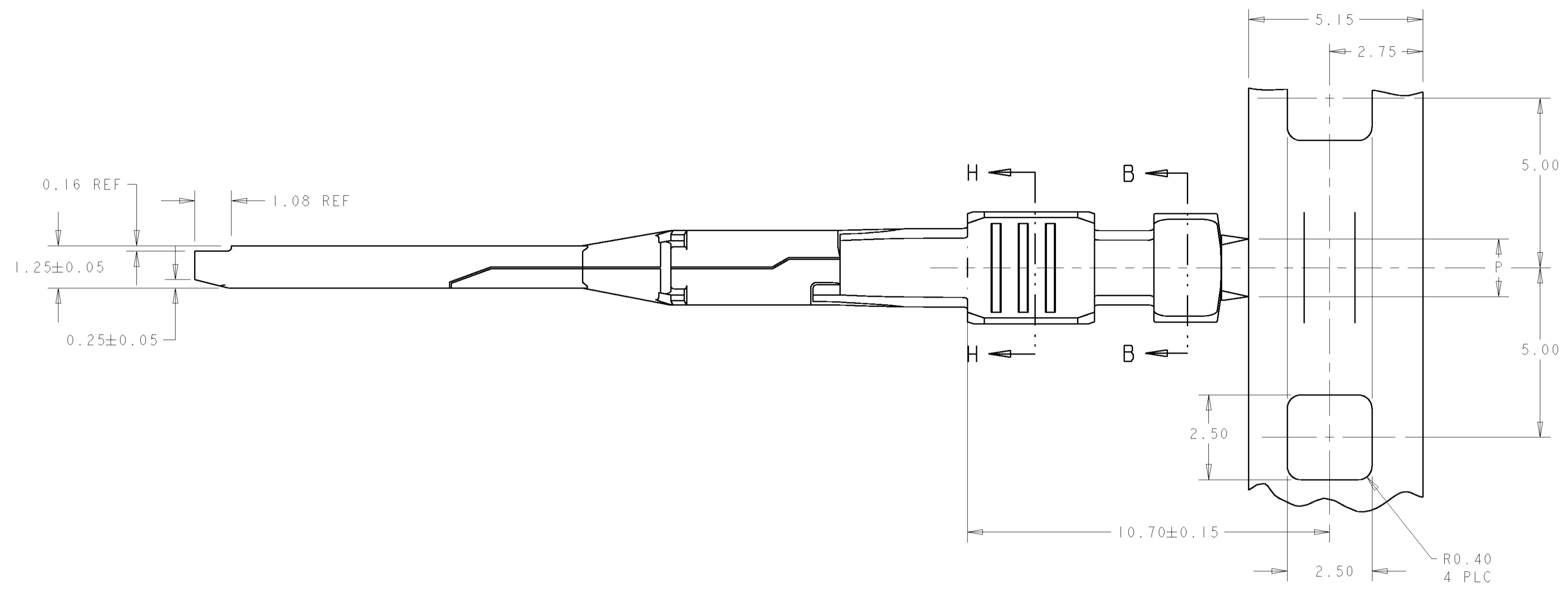
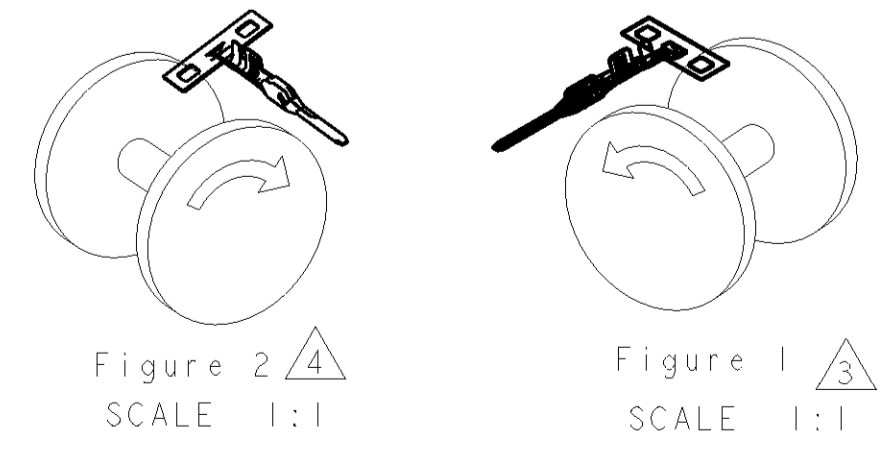


LOC	DIST	REVISIONS			
P	LTR	DESCRIPTION	DATE	DWN	APVD
G		INITIAL RELEASE	07JUN06	JM	JM



- 1 MATERIAL: COPPER ALLOY (ZKLF-5), TEMPER T4, 0.30±0.01 THK.
- 2 PREPLATED WITH 0.0008-0.0016 THK MATTE TIN OVER 0.0005 MIN THK COPPER PER AMP SPEC 112-300-2.
- 3 REEL PER FIG 1
- 4 REEL PER FIG 2



REELING	P	N (REF)	M (REF)	L	K	J	H	FINISH	MATERIAL	WIRE SIZE	PART NUMBER
3	-	-	-	-	-	-	-	2	M/F -2	22	638174-4
3	-	-	-	-	-	-	-	2	M/F -1	18-20	638174-3
4	1.6±0.2	2.25	2.34	1.00	0.90	2.50	2.50	2	1	22	638174-2
4	1.7±0.2	2.82	2.92	1.40	1.30	3.20	3.30	2	1	18-20	638174-1

DIMENSIONS:		TOLERANCES UNLESS OTHERWISE SPECIFIED:		DWN J. MARKEY 07JUN06		TICO Electronics Tyco Electronics Harrisburg, PA 17105-3608	
mm	0 PLC ±	1 PLC ±0.10	2 PLC ±0.15	3 PLC ±0.20	4 PLC ±0.25	PRODUCT SPEC	
	ANGLES ±5.0°	FINISH		APVD J. MARKEY 07JUN06		NAME	
MATERIAL				APPLICATION SPEC		MALE TERMINAL, WIRE TO WIRE TIN PLATED	
				114-6063		SIZE CAGE CODE DRAWING NO RESTRICTED TO	
				WEIGHT		A100779C=638174	
CUSTOMER DRAWING				SCALE 10:1		SHEET 1 OF 1 REV G	

# Mouser Electronics

Authorized Distributor

Click to View Pricing, Inventory, Delivery & Lifecycle Information:

[TE Connectivity:](#)

[638174-4](#)